



▶▶ NEUMANN.BERLIN

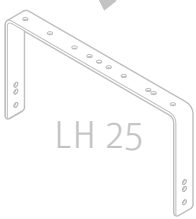
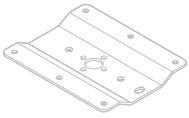
▶ KH 310 ACCESSORIES

MOUNTING & CONSTRUCTION DRAWINGS





LH 43



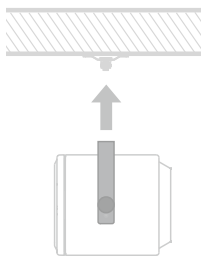
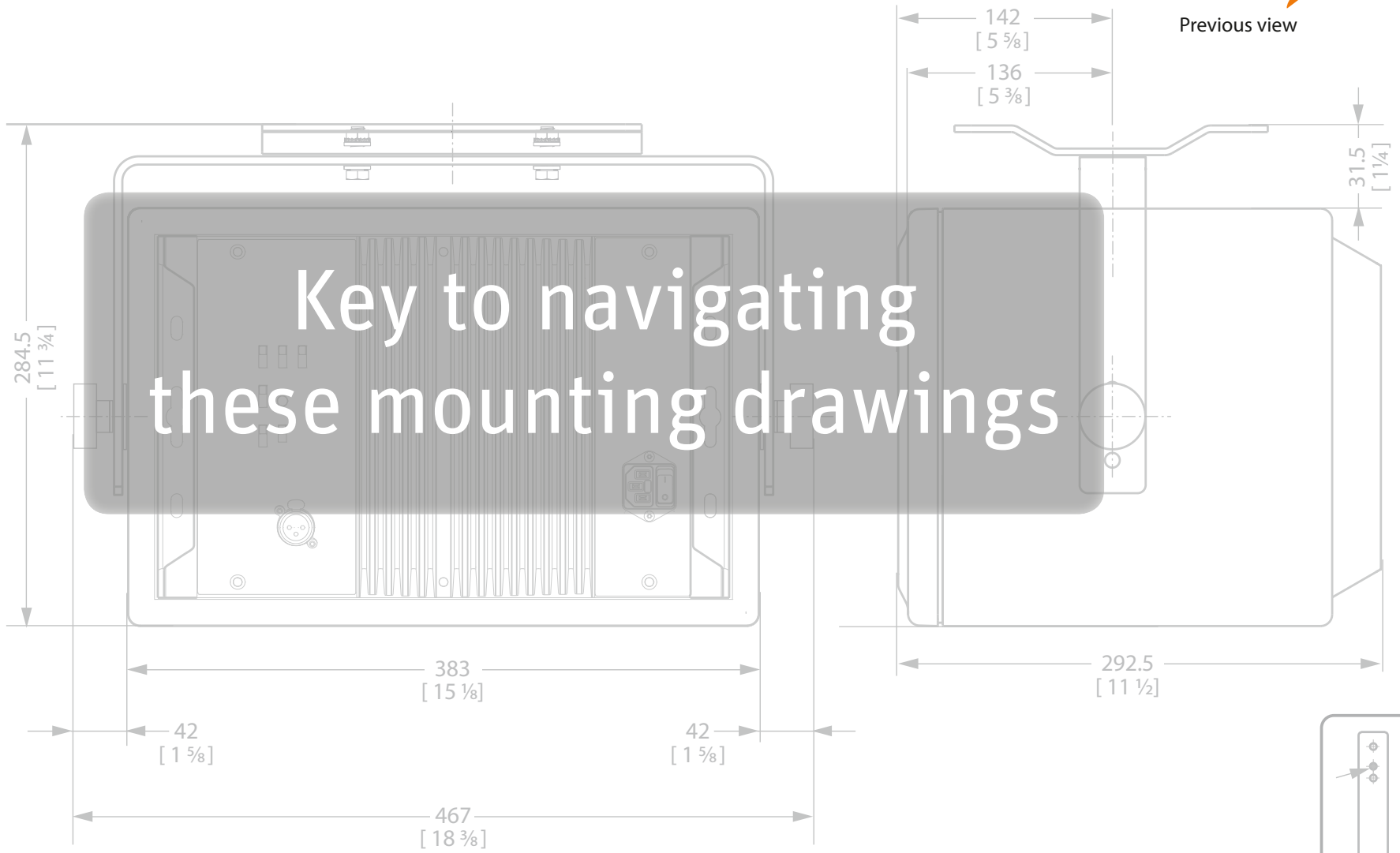
LH 25

MAIN << BACK

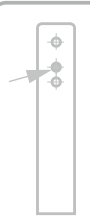
Jump back to overview

Previous view

Key to navigating these mounting drawings



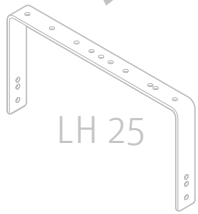
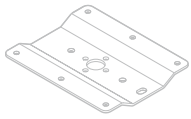
Show LH 25's rotation angles



mm [inch]

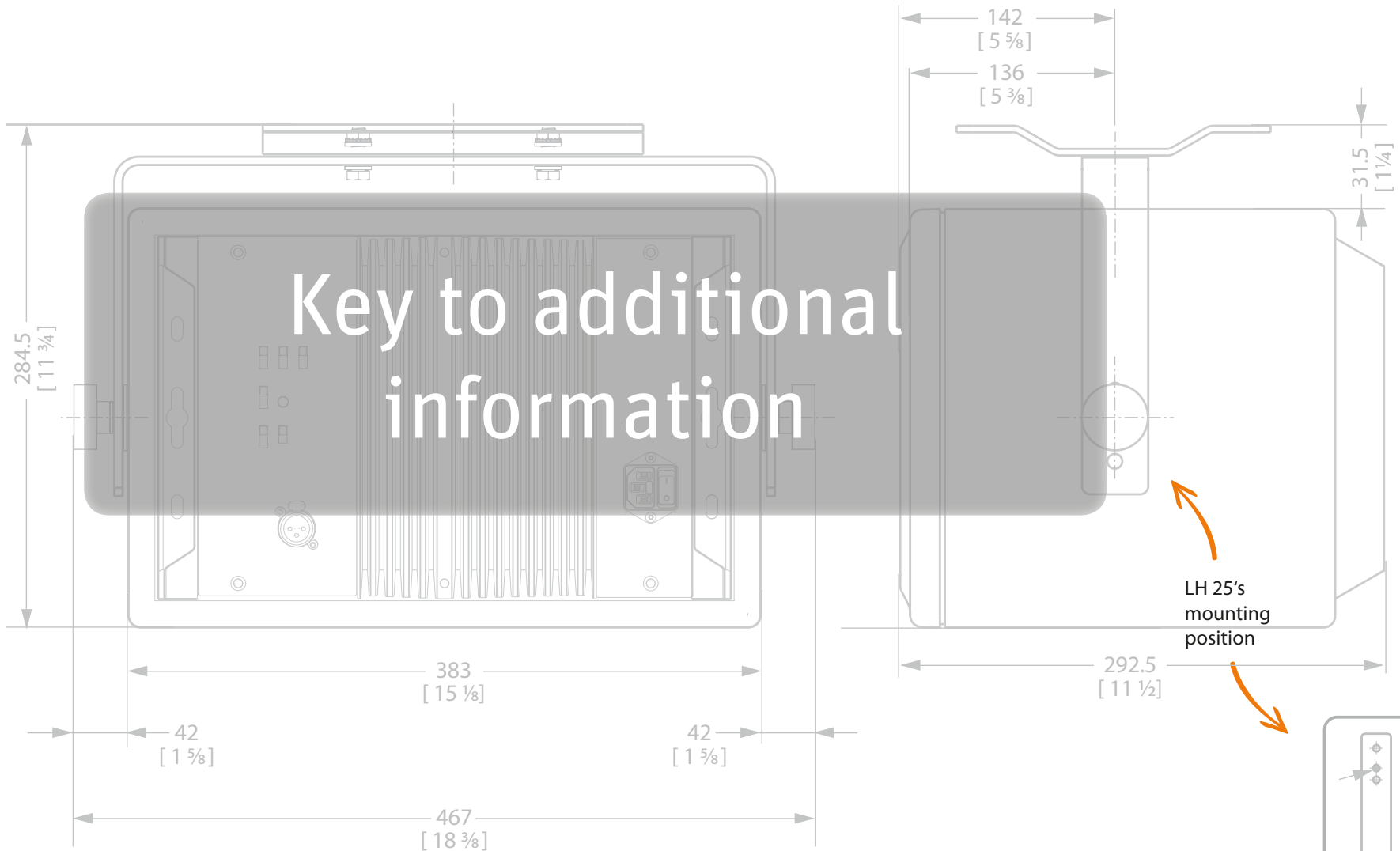


LH 43

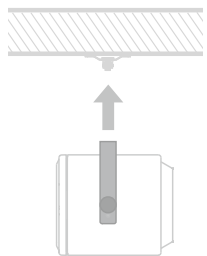


LH 25

The mounting hardware combination shown on this page



Key to additional information



How it is set up



LH 25's mounting position

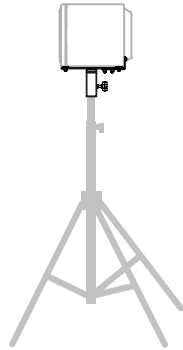


mm [inch]

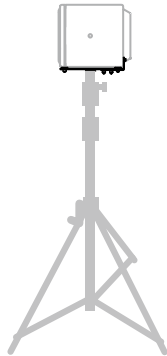


▶▶ NEUMANN.BERLIN

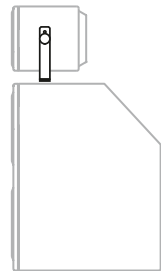
▶ Mounting on a stand



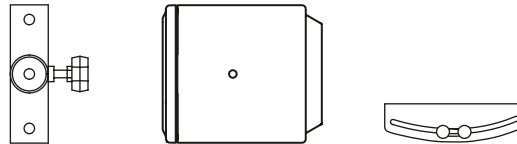
▶ Mounting on a lighting stand



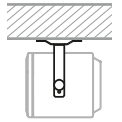
▶ Mounting on a subwoofer



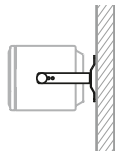
▶ Construction drawings
KH 310 / mounting hardware



▶ Mounting below a surface
(ceiling, etc.),
Mounting off a lighting
or truss bar



▶ Mounting on a wall

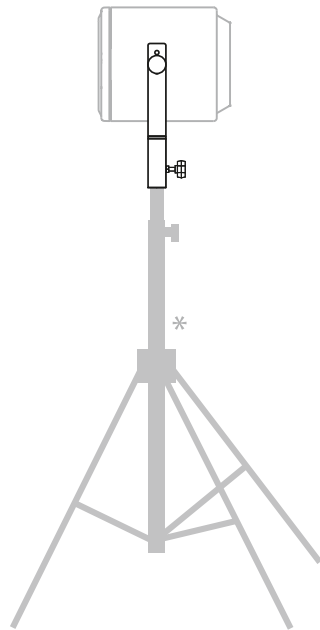


▶ Mounting above a surface
(floor, desktop, etc.)

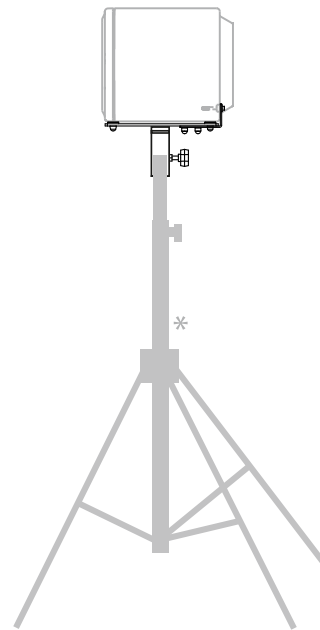




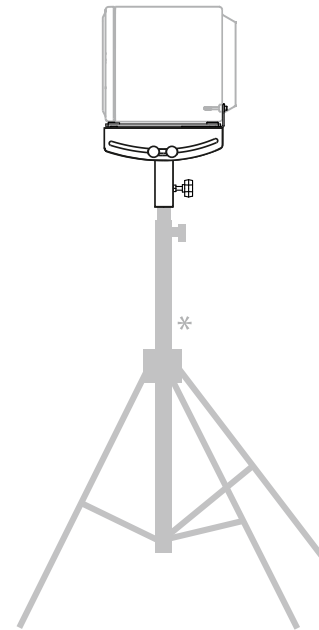
▶ KH 310 | Mounting on a stand



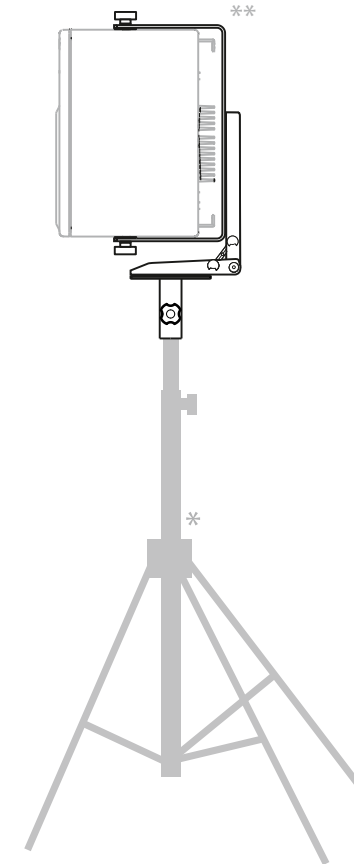
LH 25 + LH 28



LH 41 + LH 28



LH 41 + LH 36 + LH 28



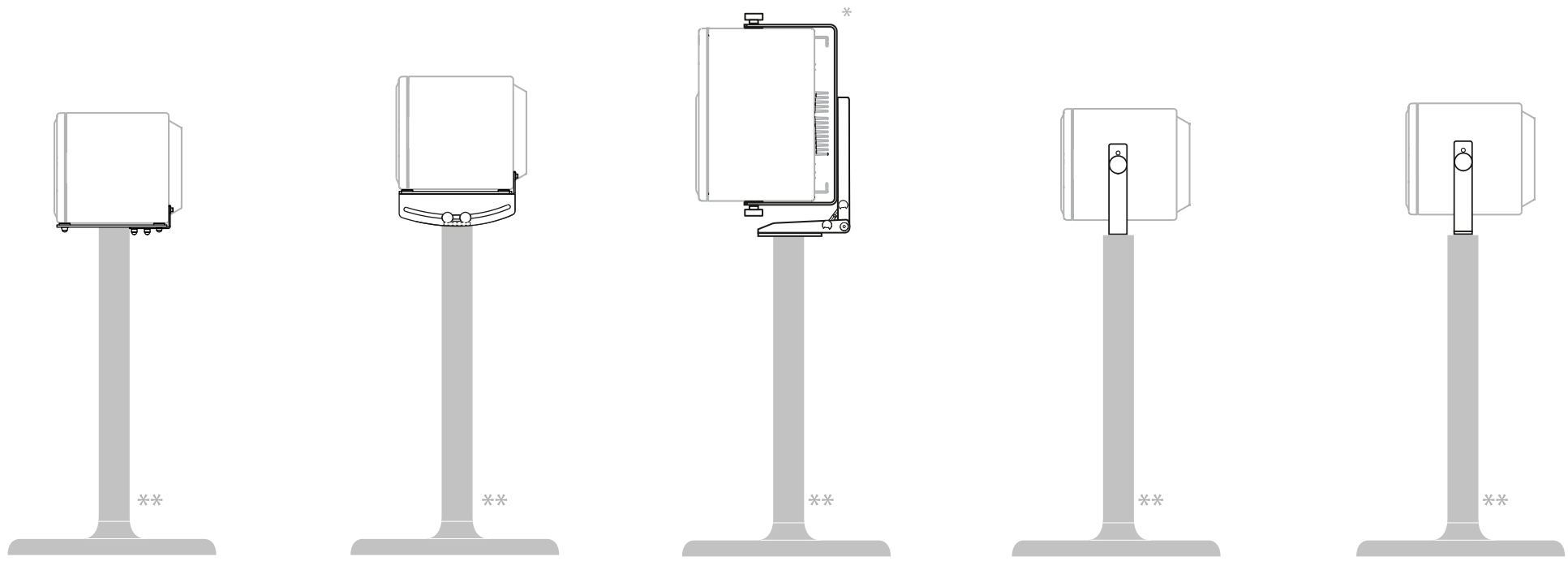
LH 25 + LH 61 + LH 28

** While it is possible to mount the KH 310 vertically as shown here, Neumann recommends that you mount it horizontally whenever possible.

* Sourced from 3rd parties



▶ KH 310 | Mounting on a stand



LH 41
+ K&M-STANDS

LH 41 + LH 36 + LH 48
+ K&M-STANDS

LH 25 + LH 61 + LH 48
+ K&M-STANDS

LH 25+
K&M-STANDS

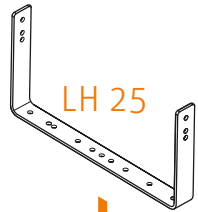
LH 25 + LH 48
+ K&M-STANDS

* While it is possible to mount the KH 310 vertically as shown here, Neumann recommends that you mount it horizontally whenever possible.

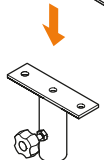
** e. g. K&M 26790, K&M 26795



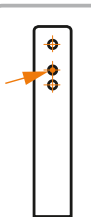
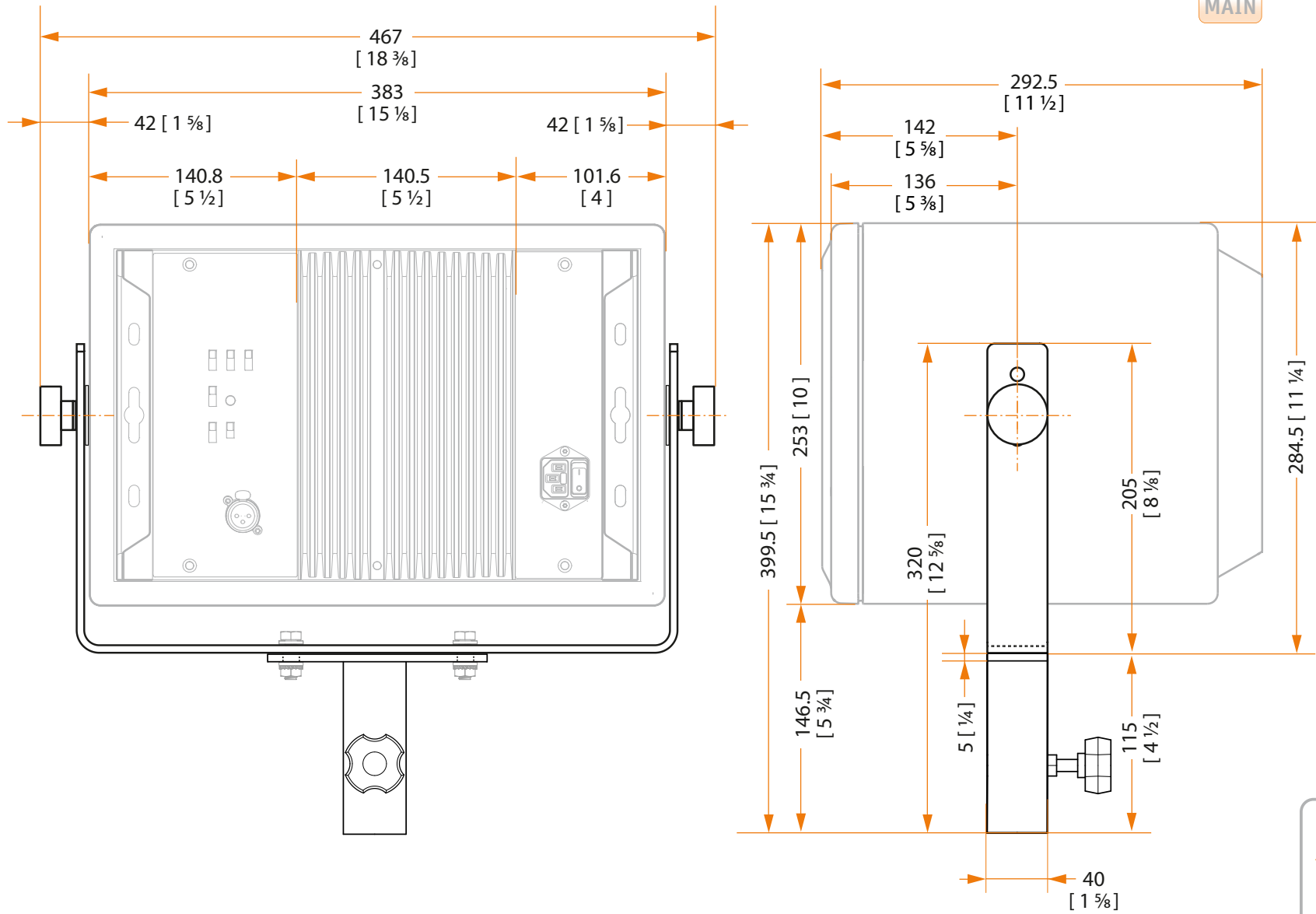
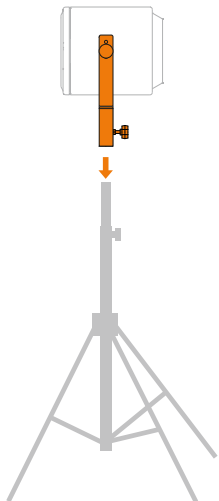
MAIN



LH 25



LH28

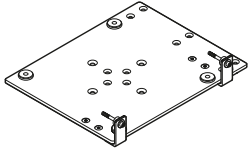


mm [inch]

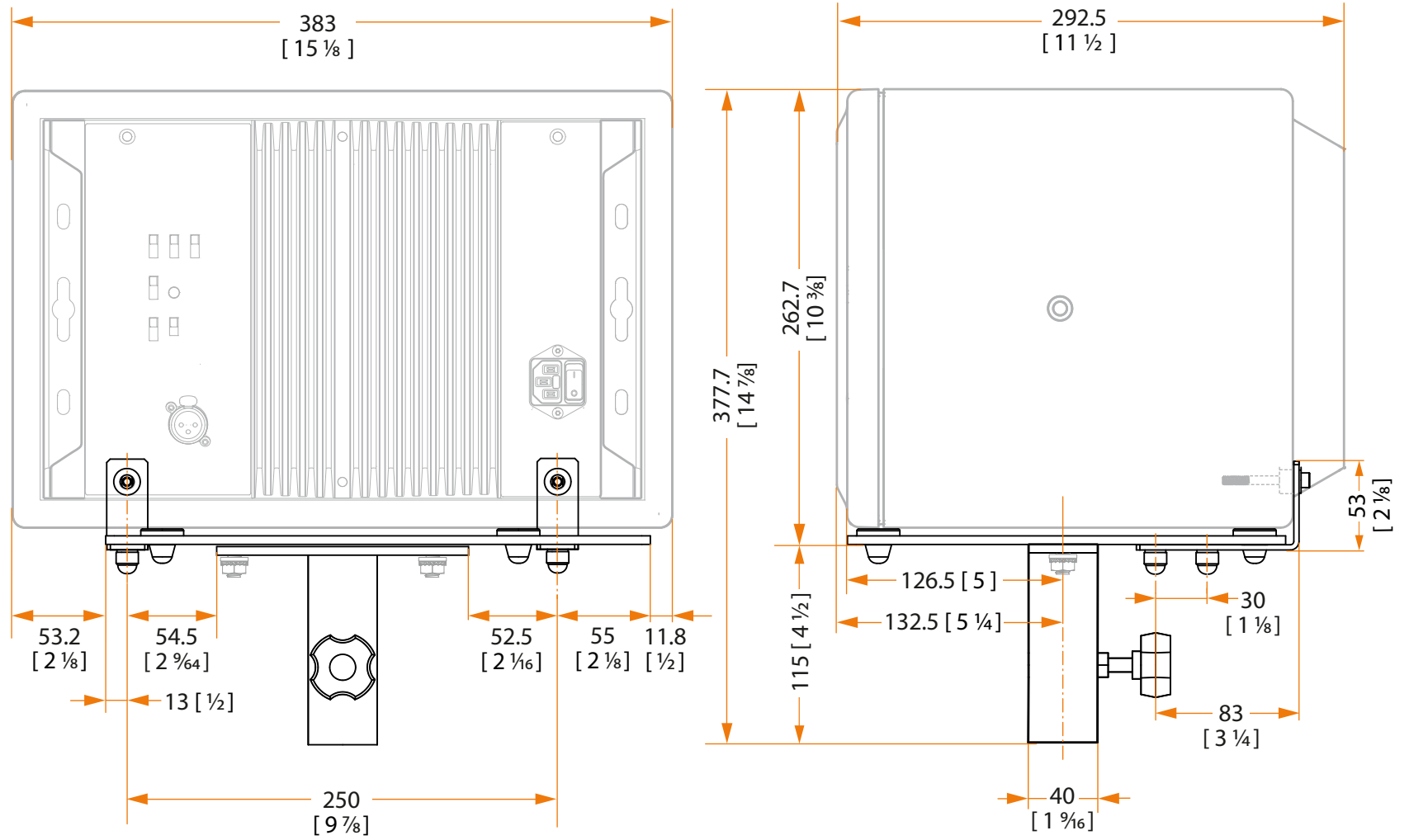
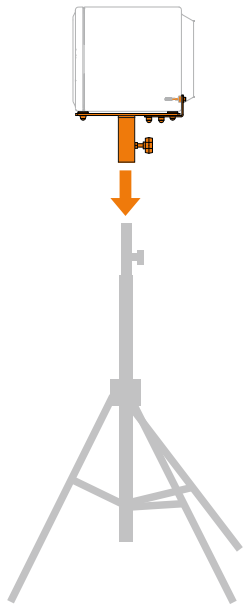
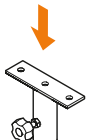


MAIN

LH 41



LH 28

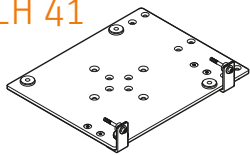


mm
[inch]



MAIN

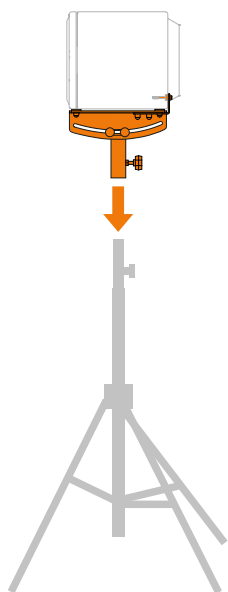
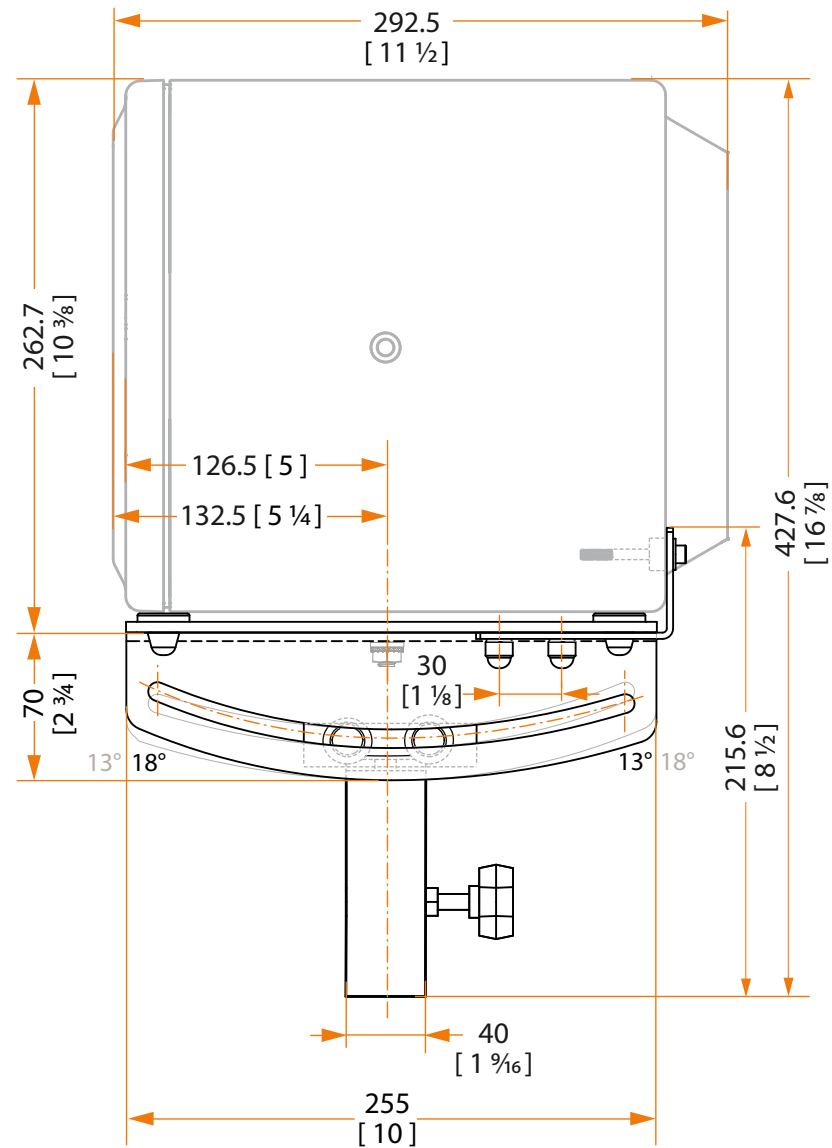
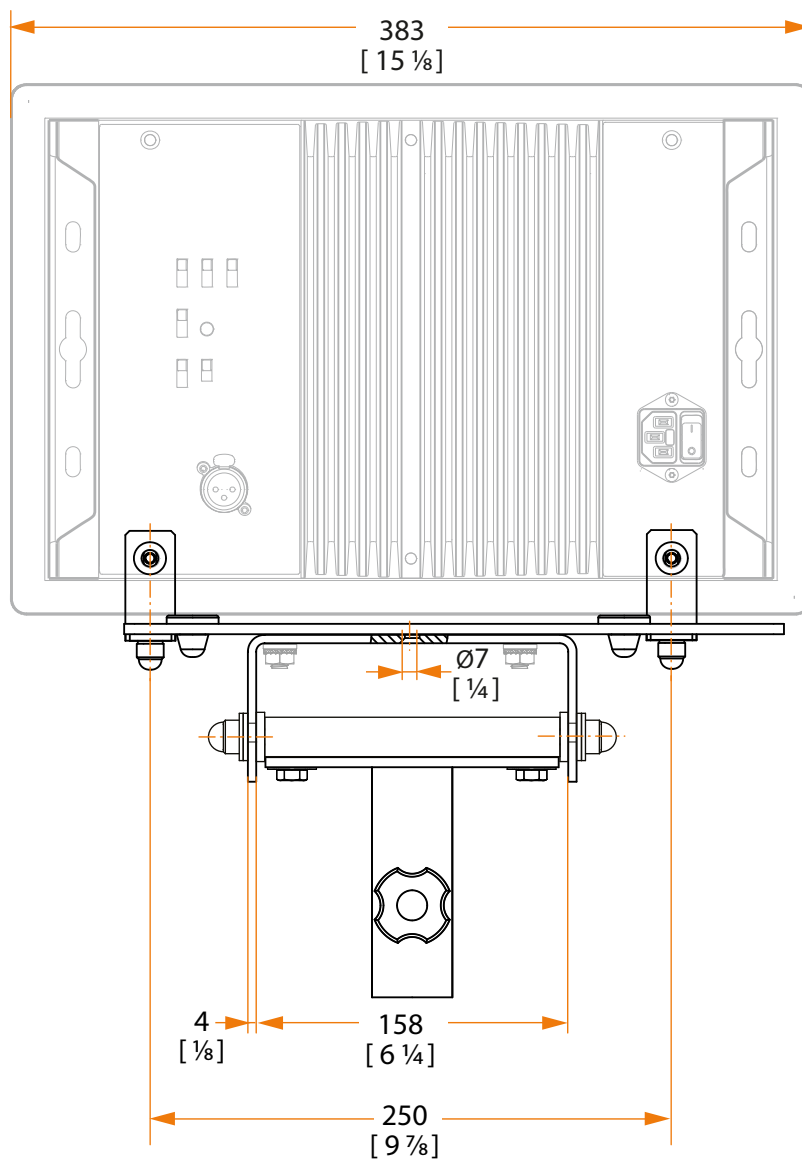
LH 41



LH 36



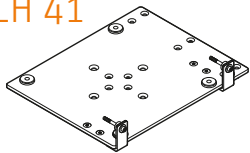
LH 28



mm
[inch]



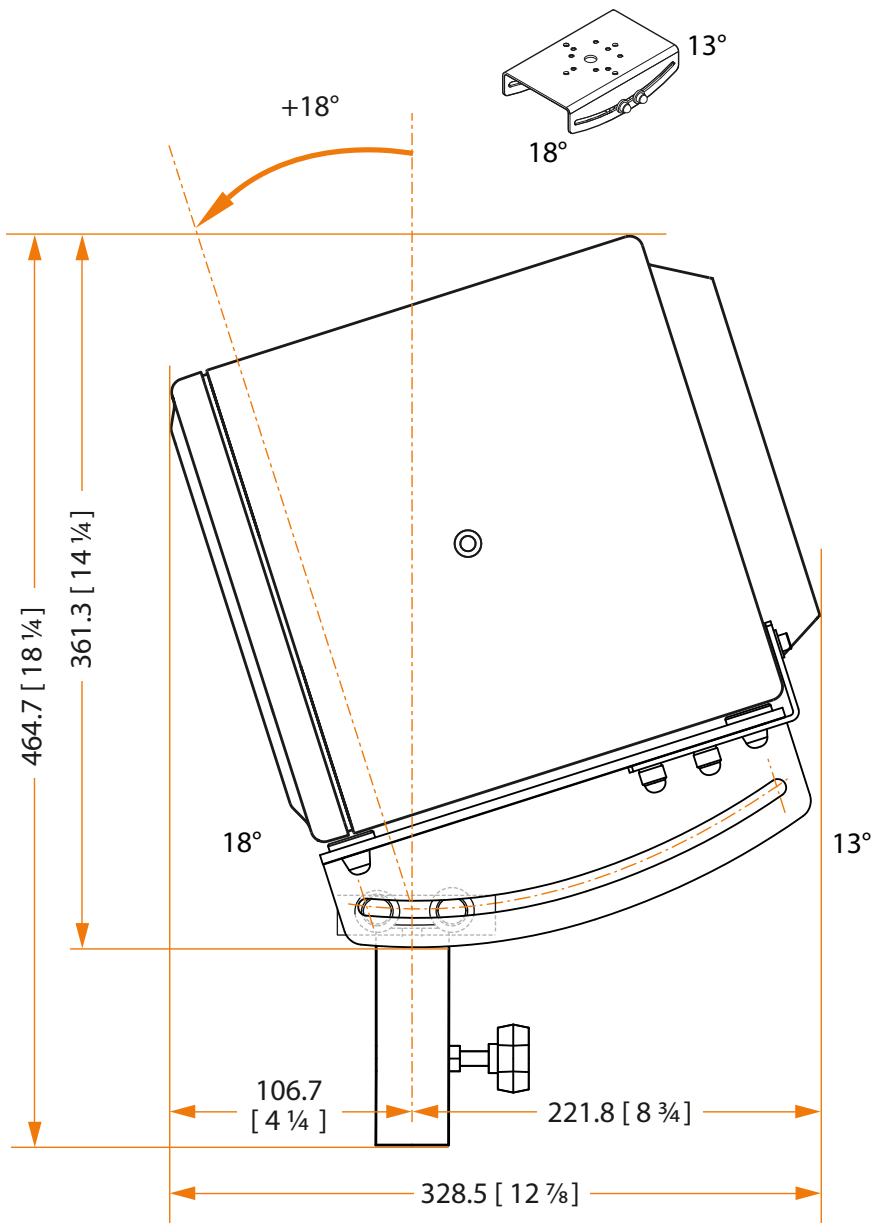
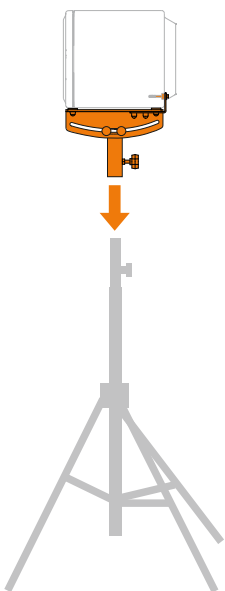
LH 41



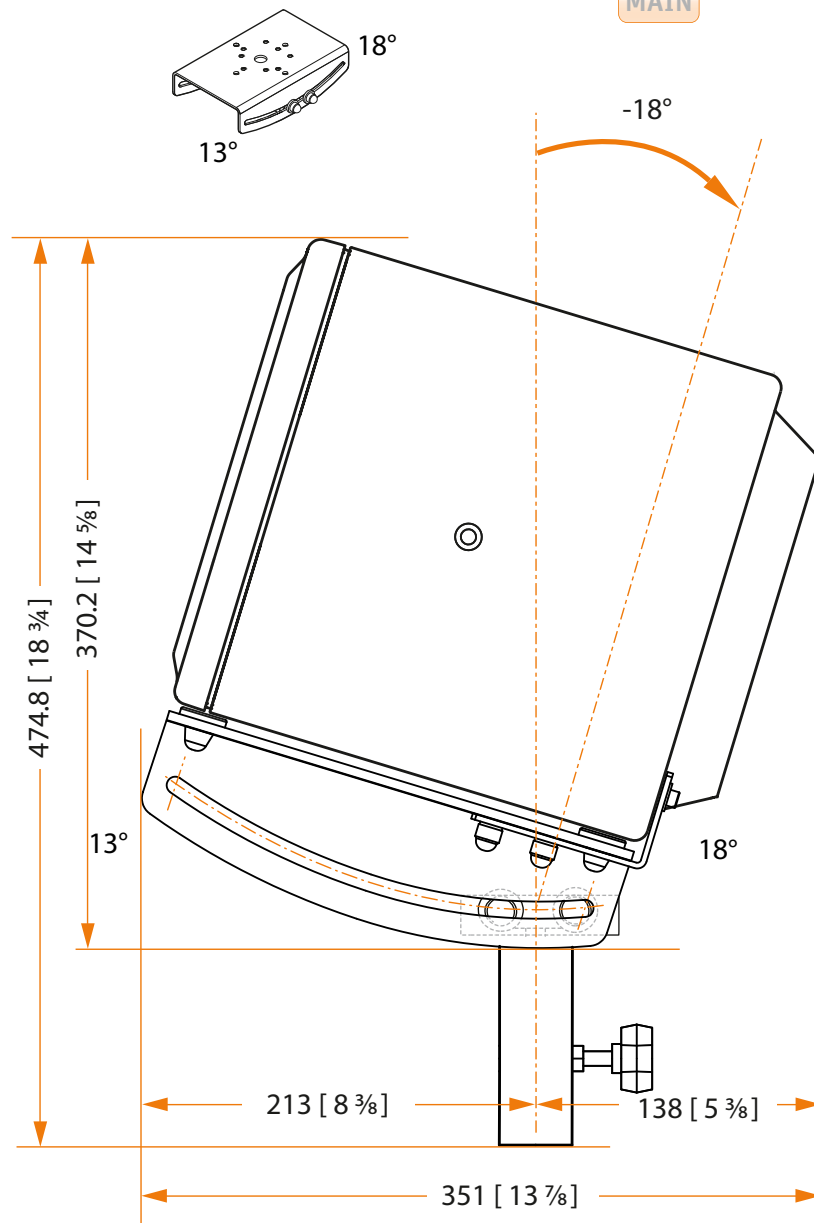
LH 36



LH 28



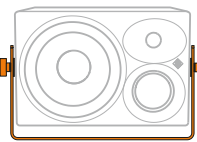
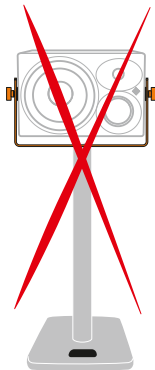
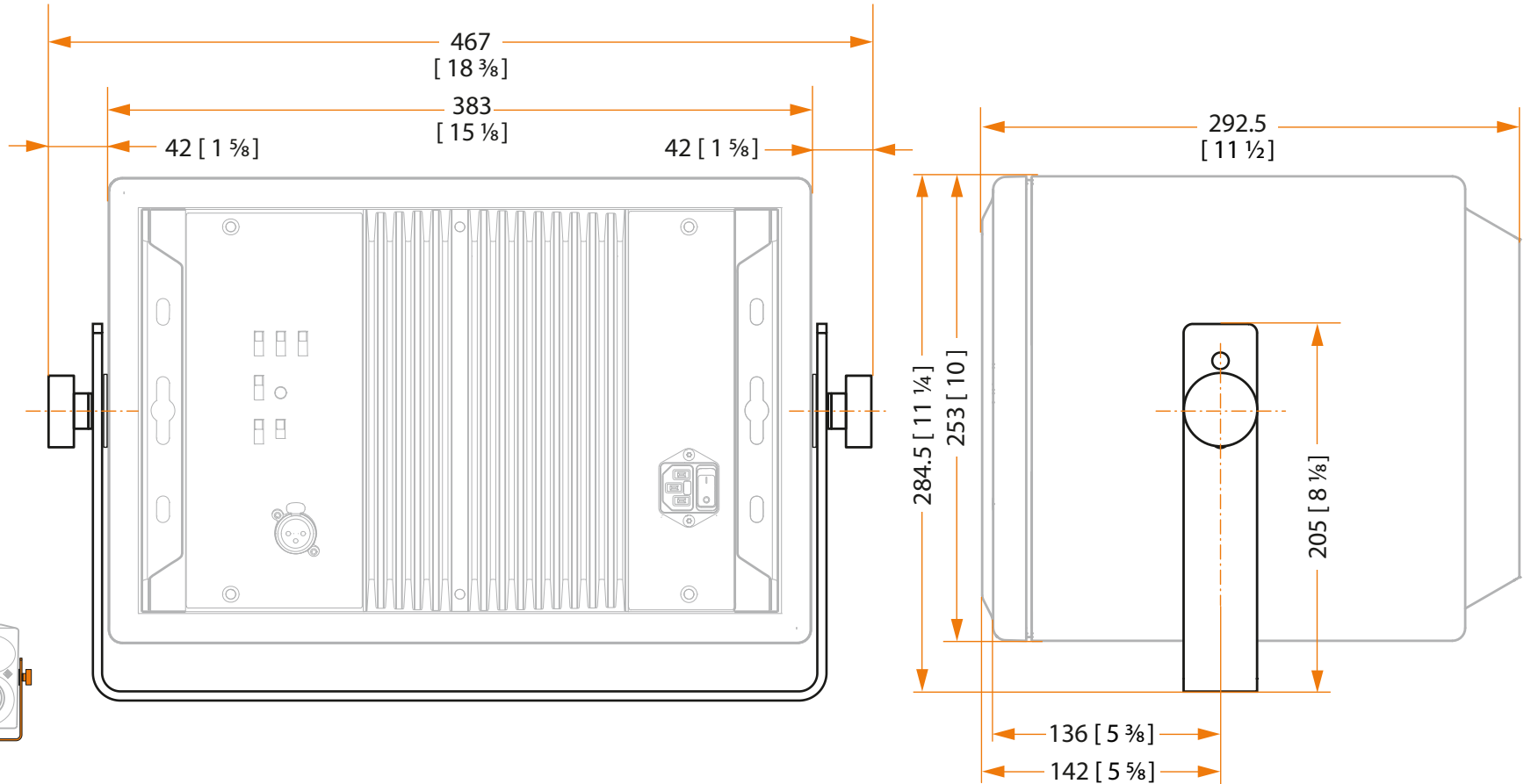
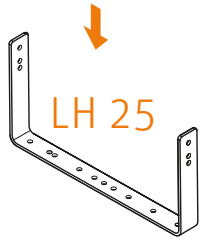
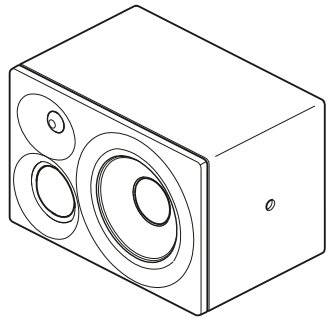
MAIN



mm [inch]

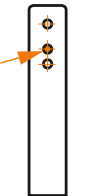


MAIN



e. g.
K&M 26790
K&M 26795

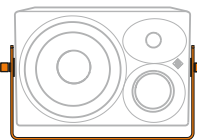
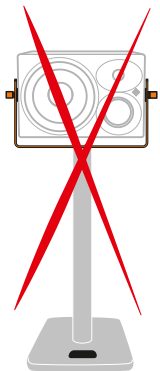
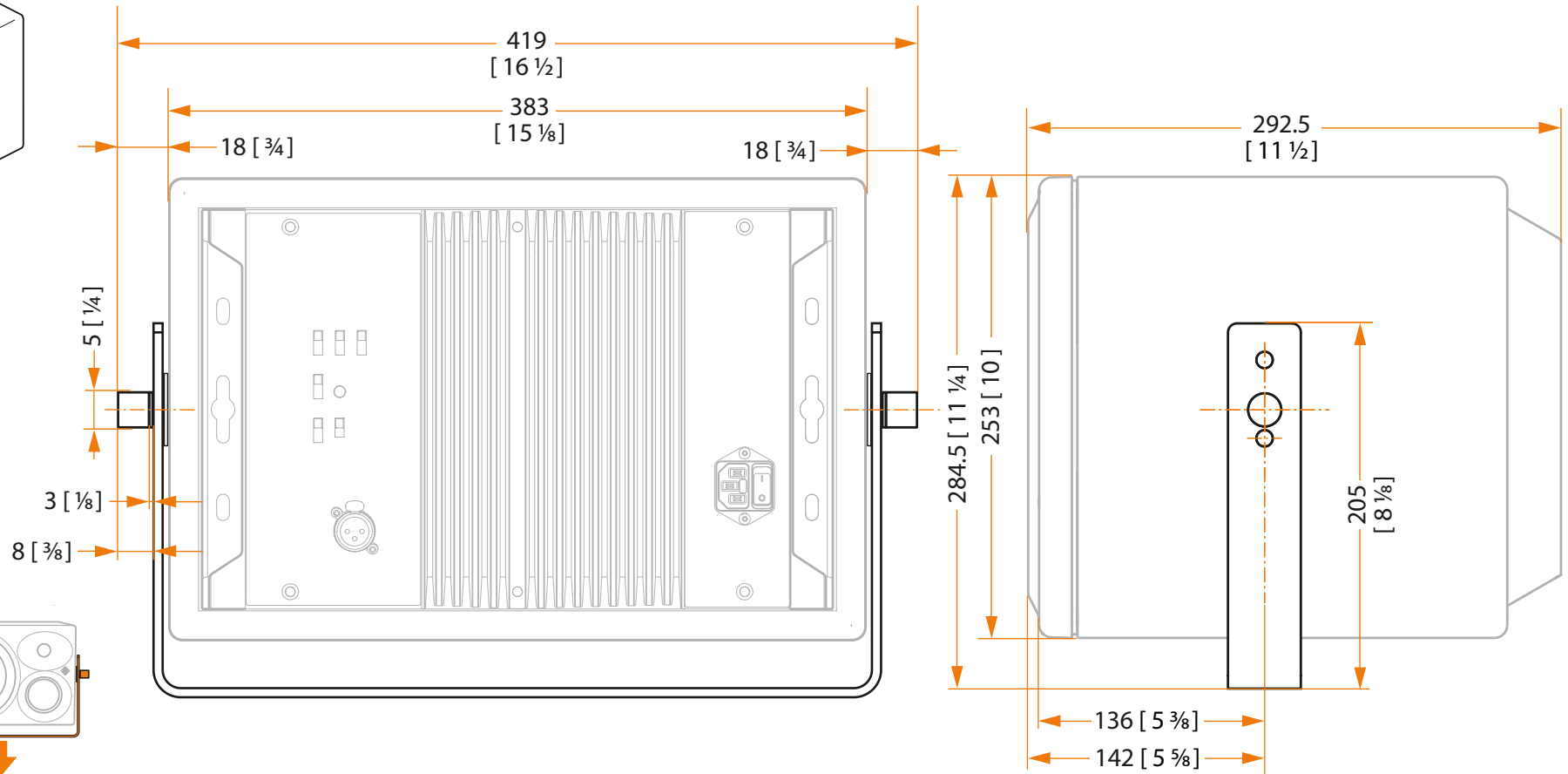
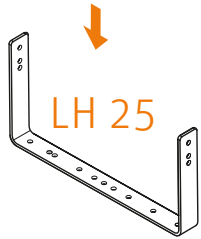
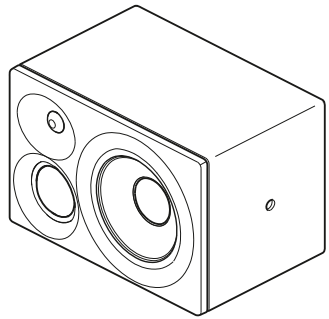
i The K&M stands have to be rotated by 90 degrees in order to fit on the LH 25



mm
[inch]



MAIN



e. g.
K&M 26790
K&M 26795

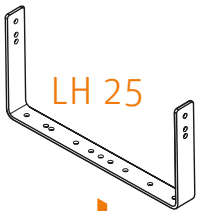
i The K&M stands have to be rotated by 90 degrees in order to fit on the LH 25



mm
[inch]



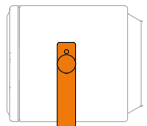
MAIN



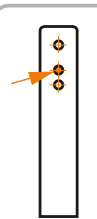
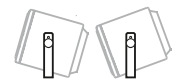
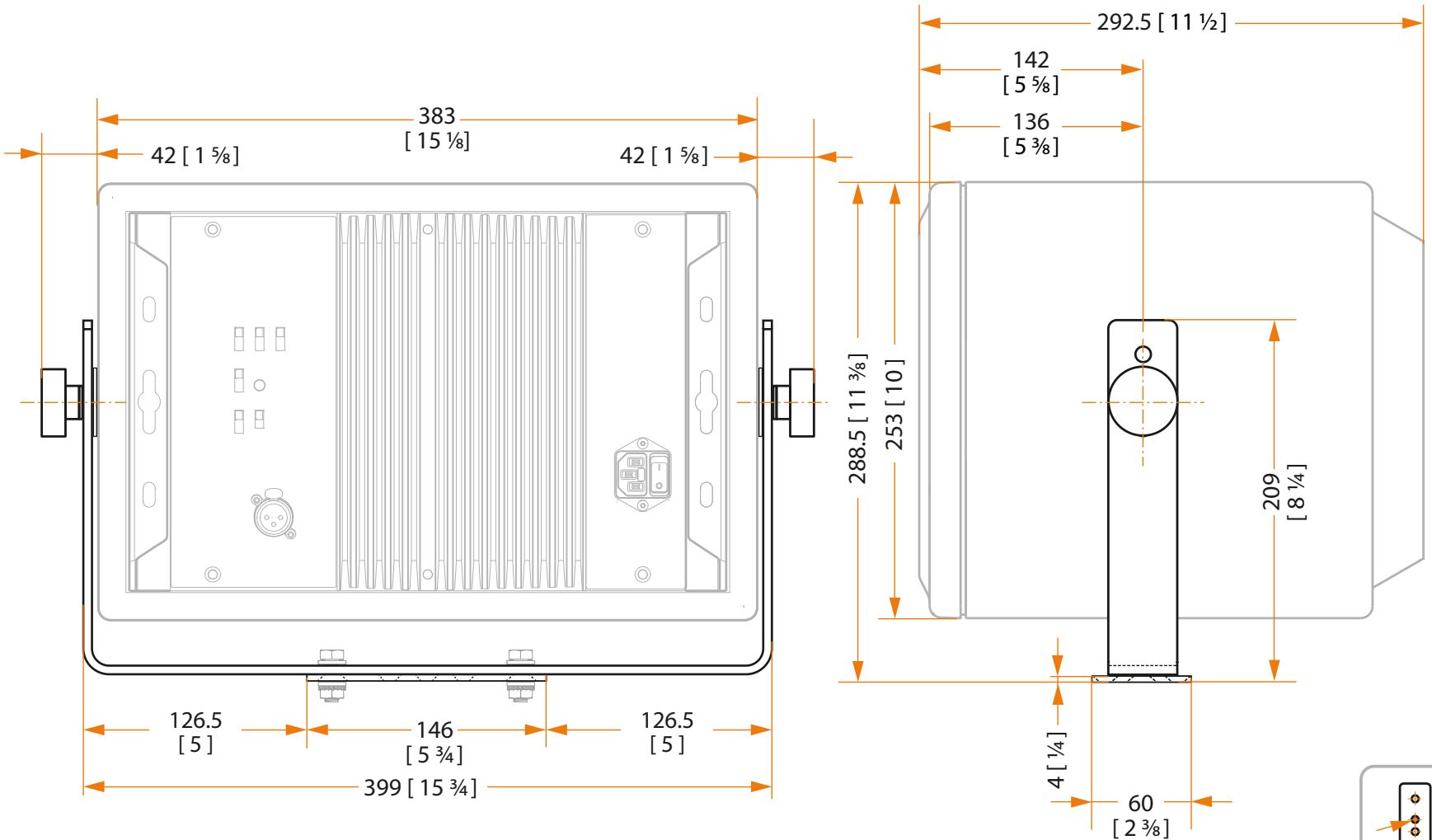
LH 25



LH 48



e. g.
K&M 26790
K&M 26795

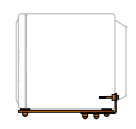
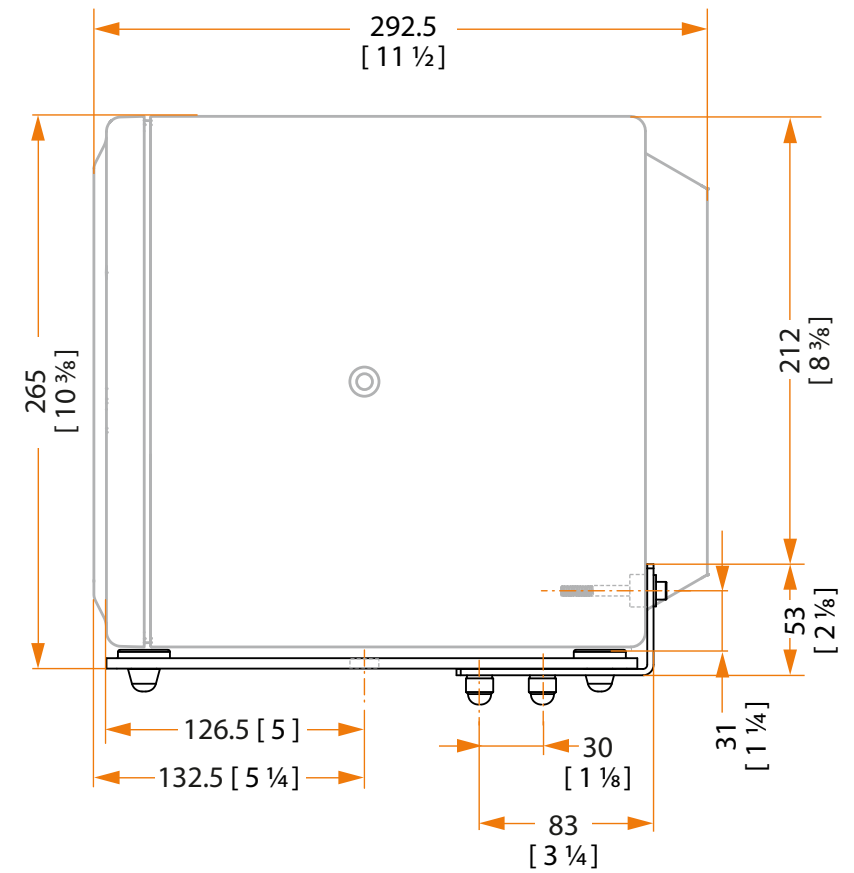
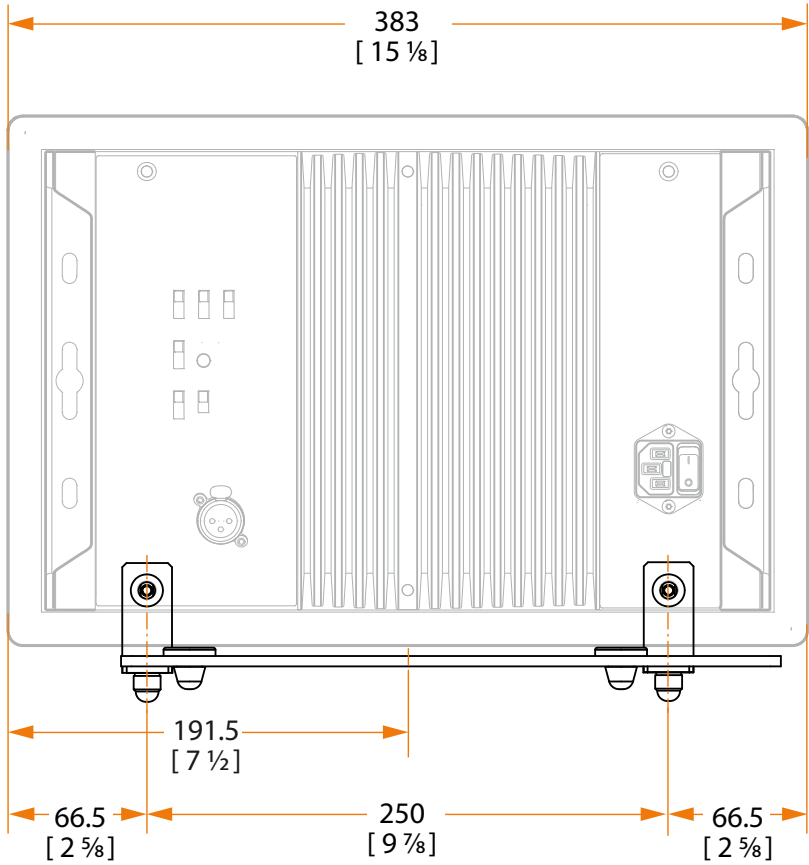
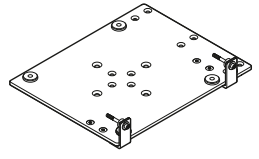


mm
[inch]



MAIN

LH 41

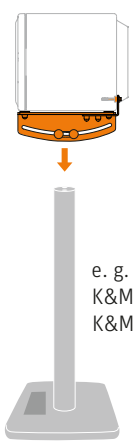
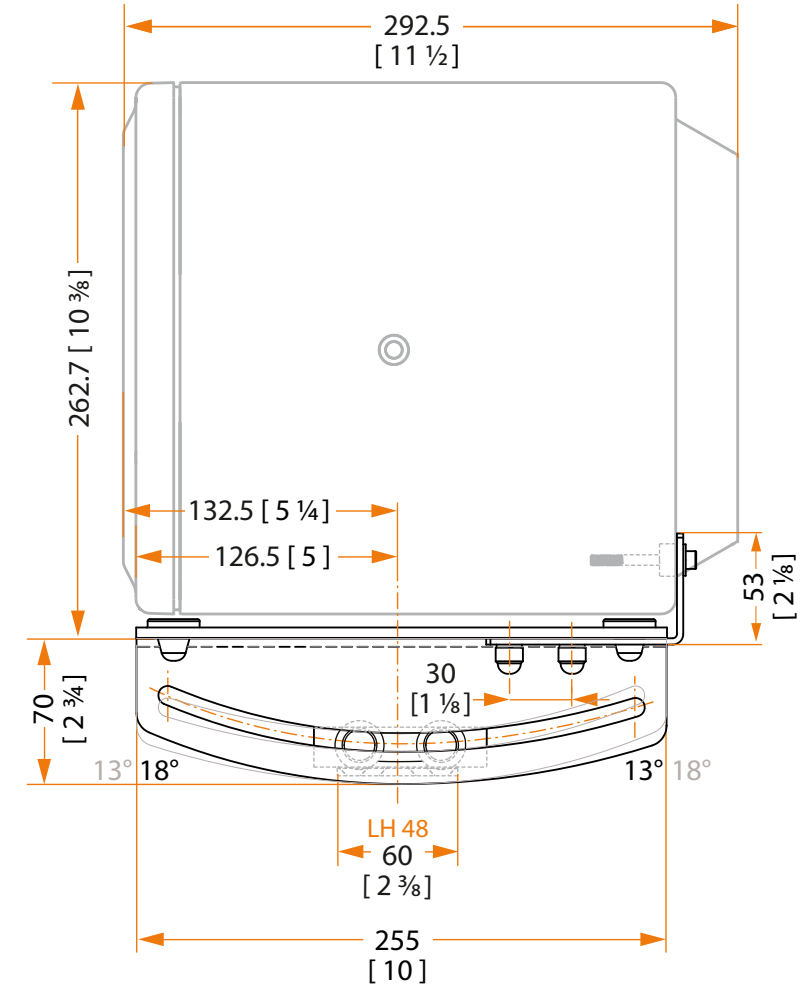
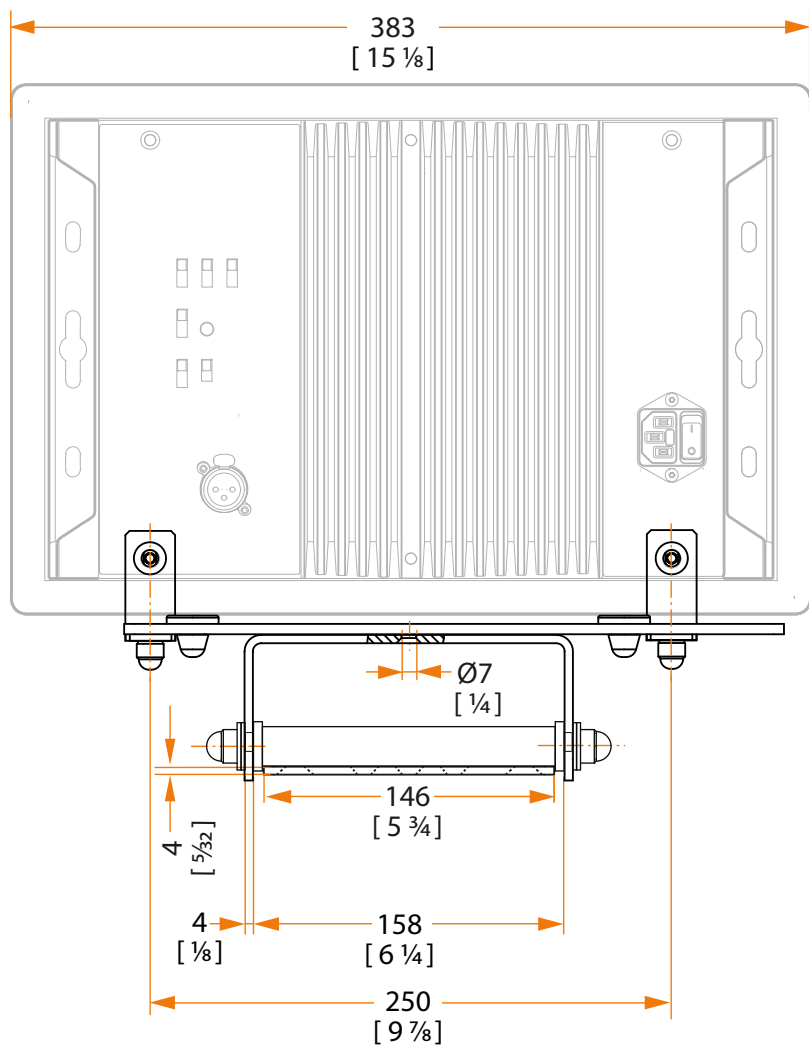
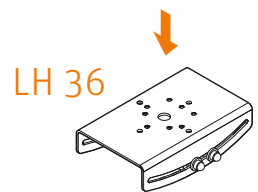
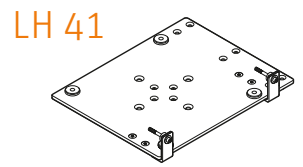


e. g.
K&M 26790
K&M 26795

mm
[inch]



MAIN

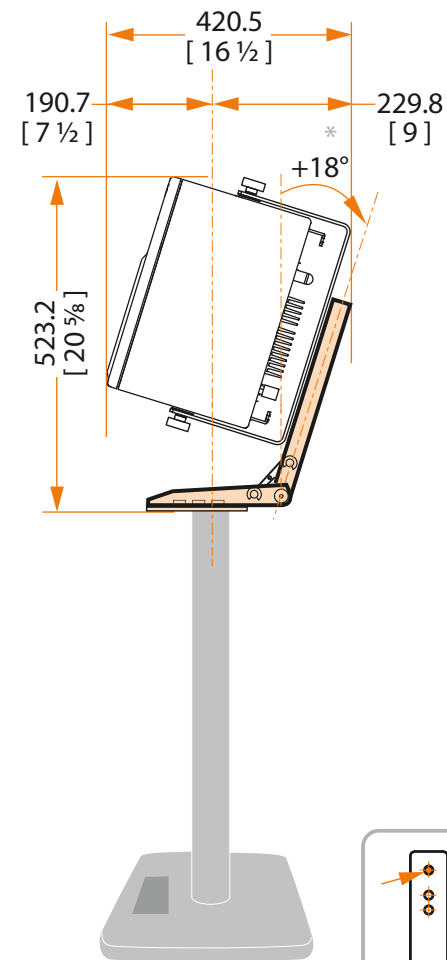
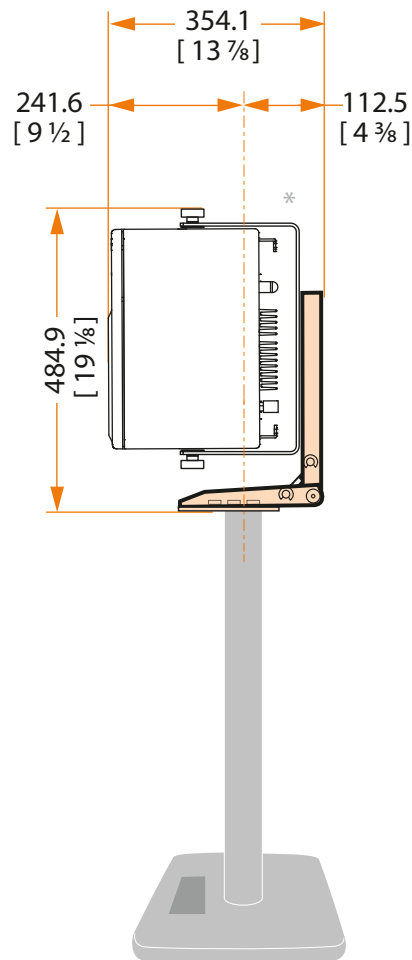
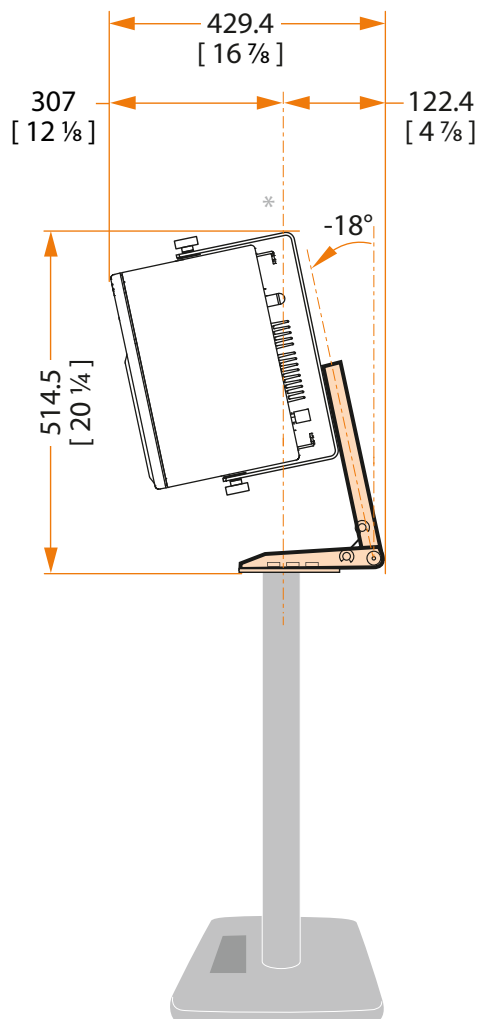
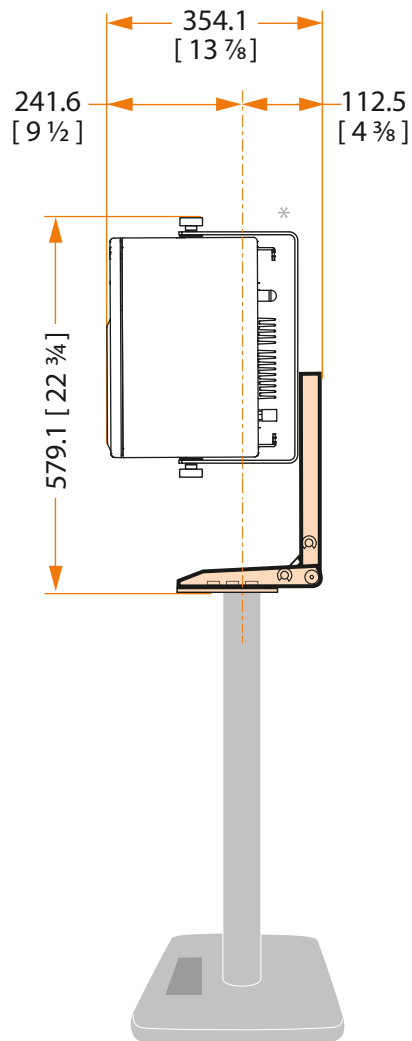


e. g.
K&M 26790
K&M 26795

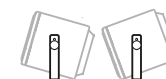
mm
[inch]



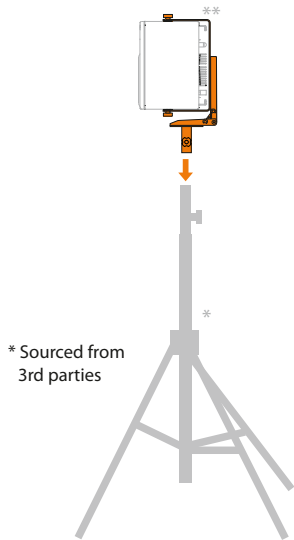
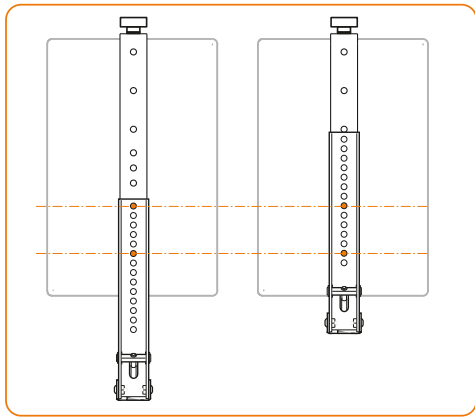
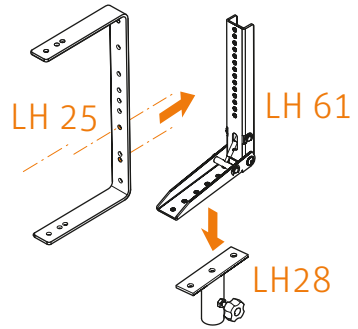
MAIN



* While it is possible to mount the KH 310 vertically as shown here, Neumann recommends that you mount it horizontally whenever possible.

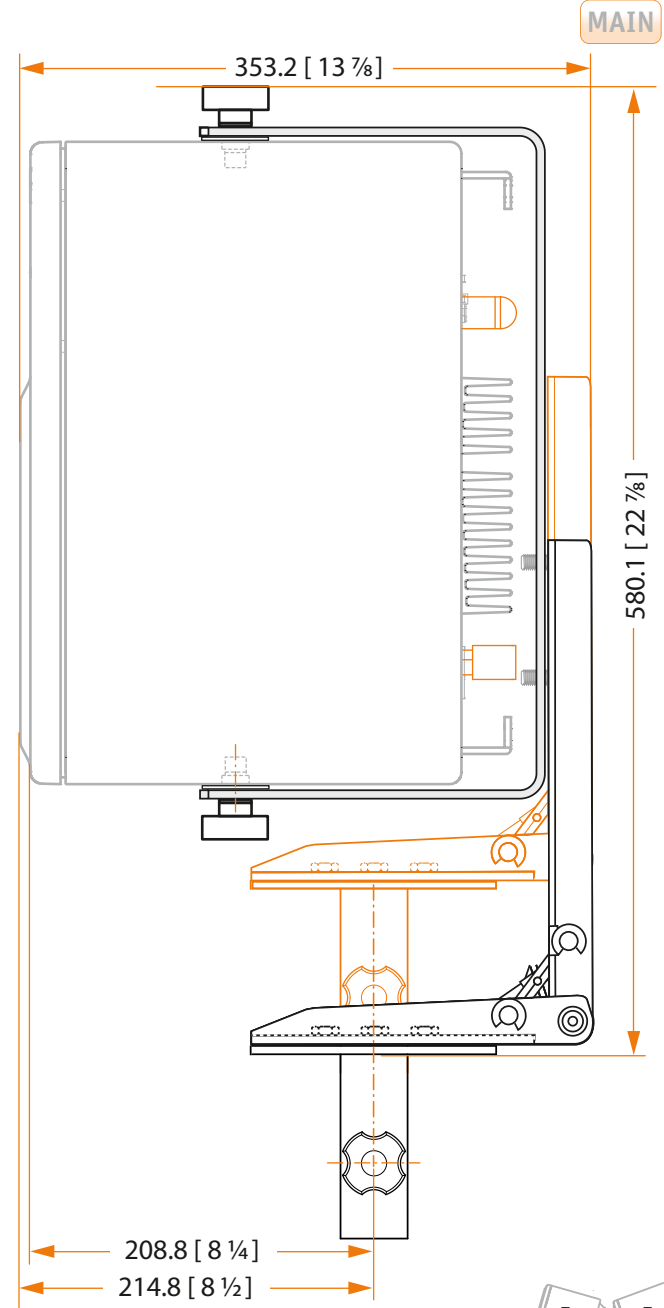
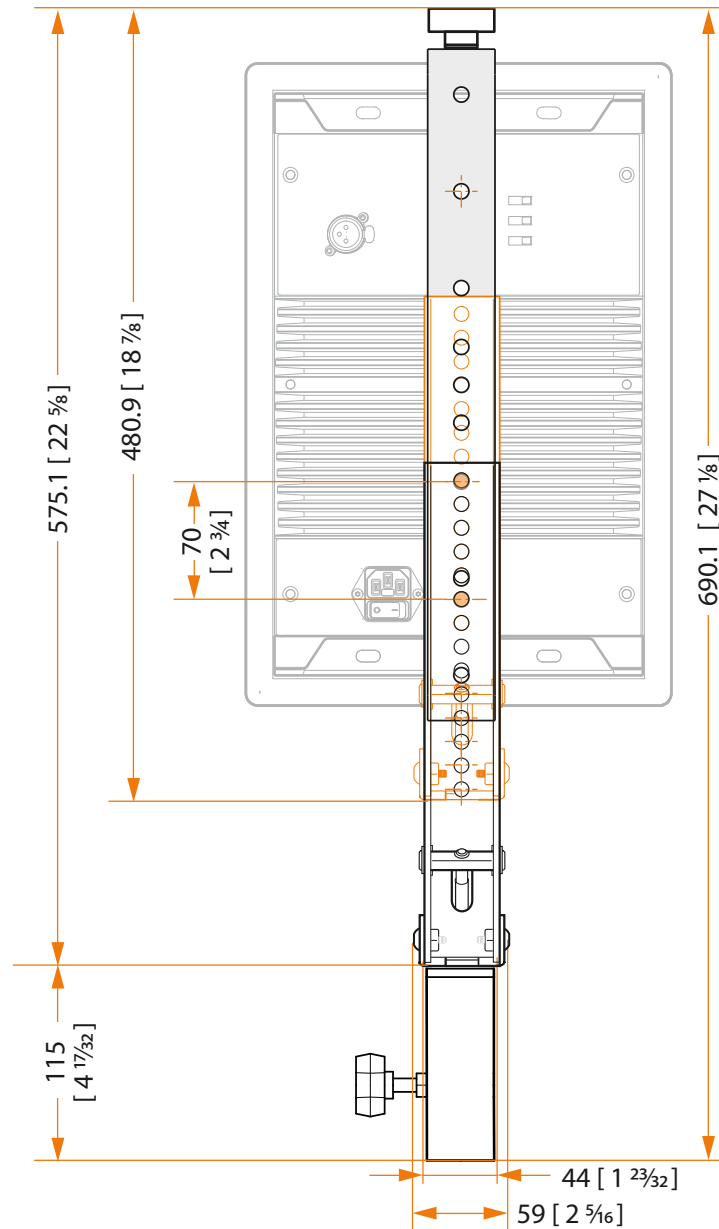


mm [inch]

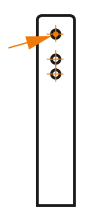
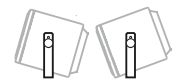


* Sourced from 3rd parties

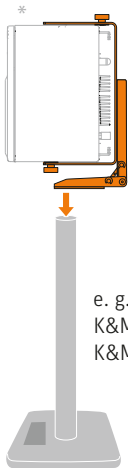
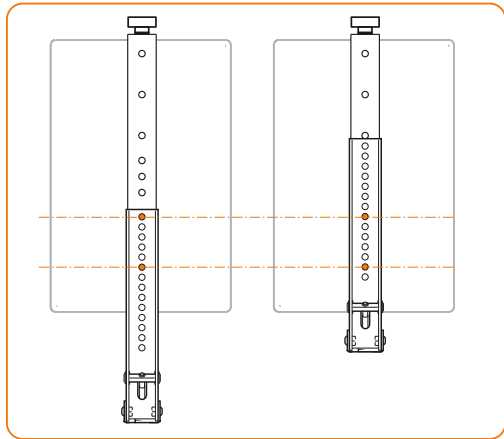
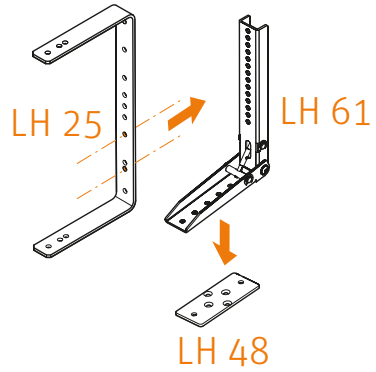
** While it is possible to mount the KH 310 vertically as shown here, Neumann recommends that you mount it horizontally whenever possible.



MAIN

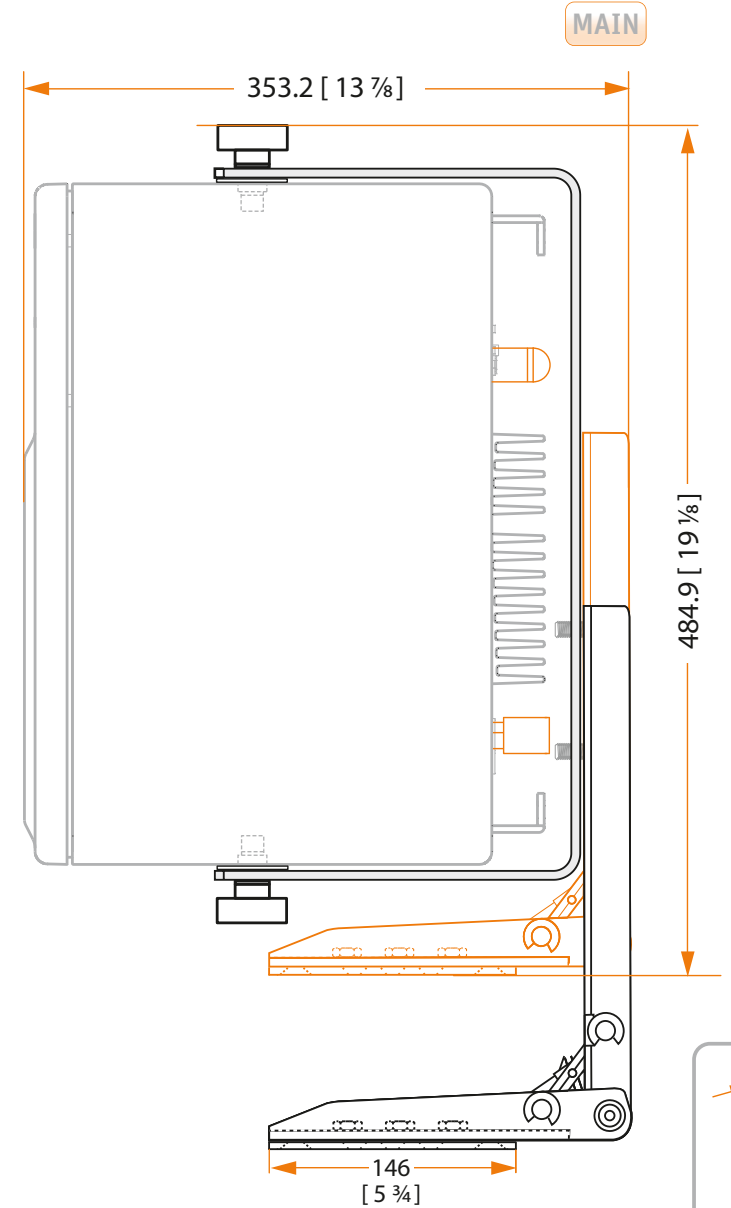
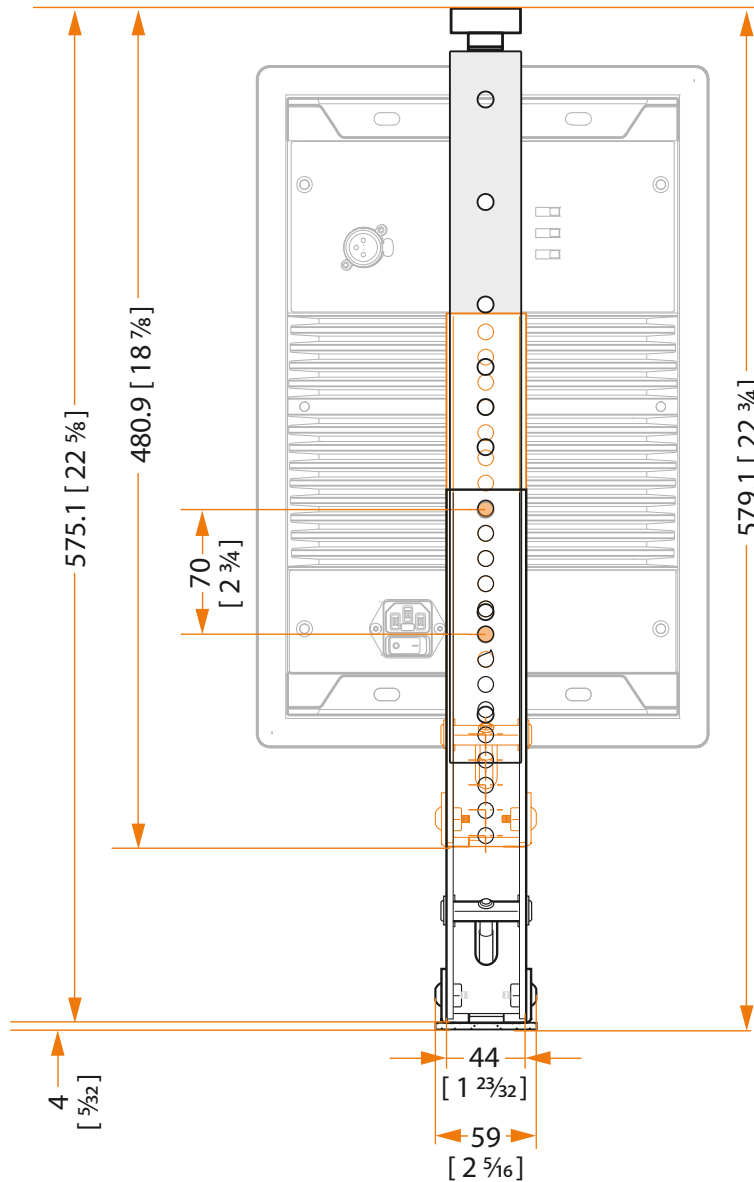


mm [inch]

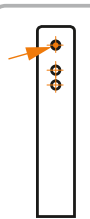


e. g.
K&M 26790
K&M 26795

* While it is possible to mount the KH 310 vertically as shown here,
Neumann recommends that you mount it horizontally whenever possible.



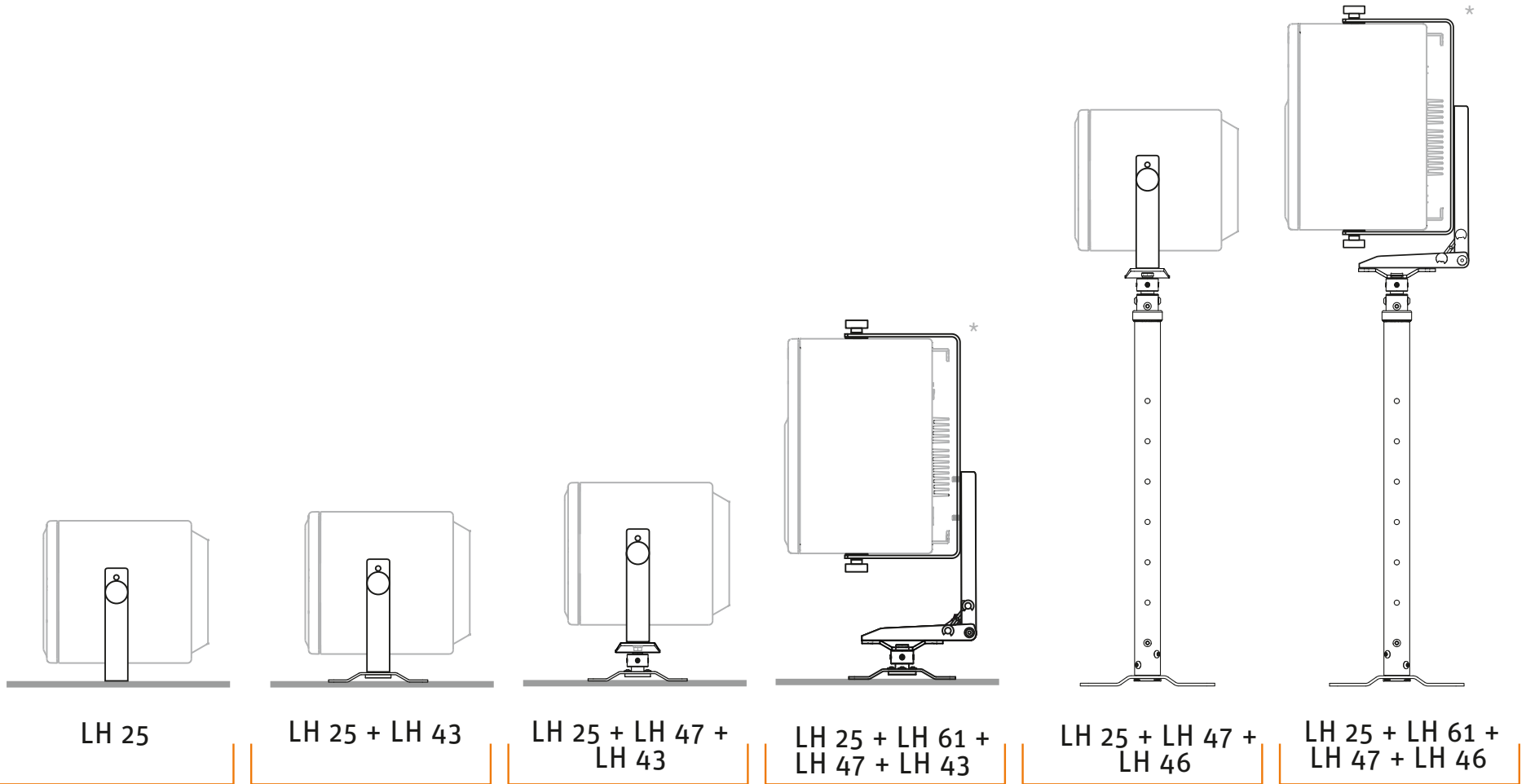
MAIN



mm
[inch]



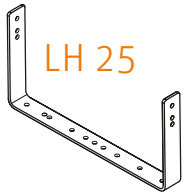
KH 310 | Mounting above a surface



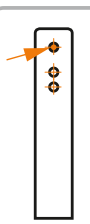
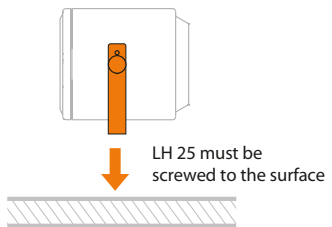
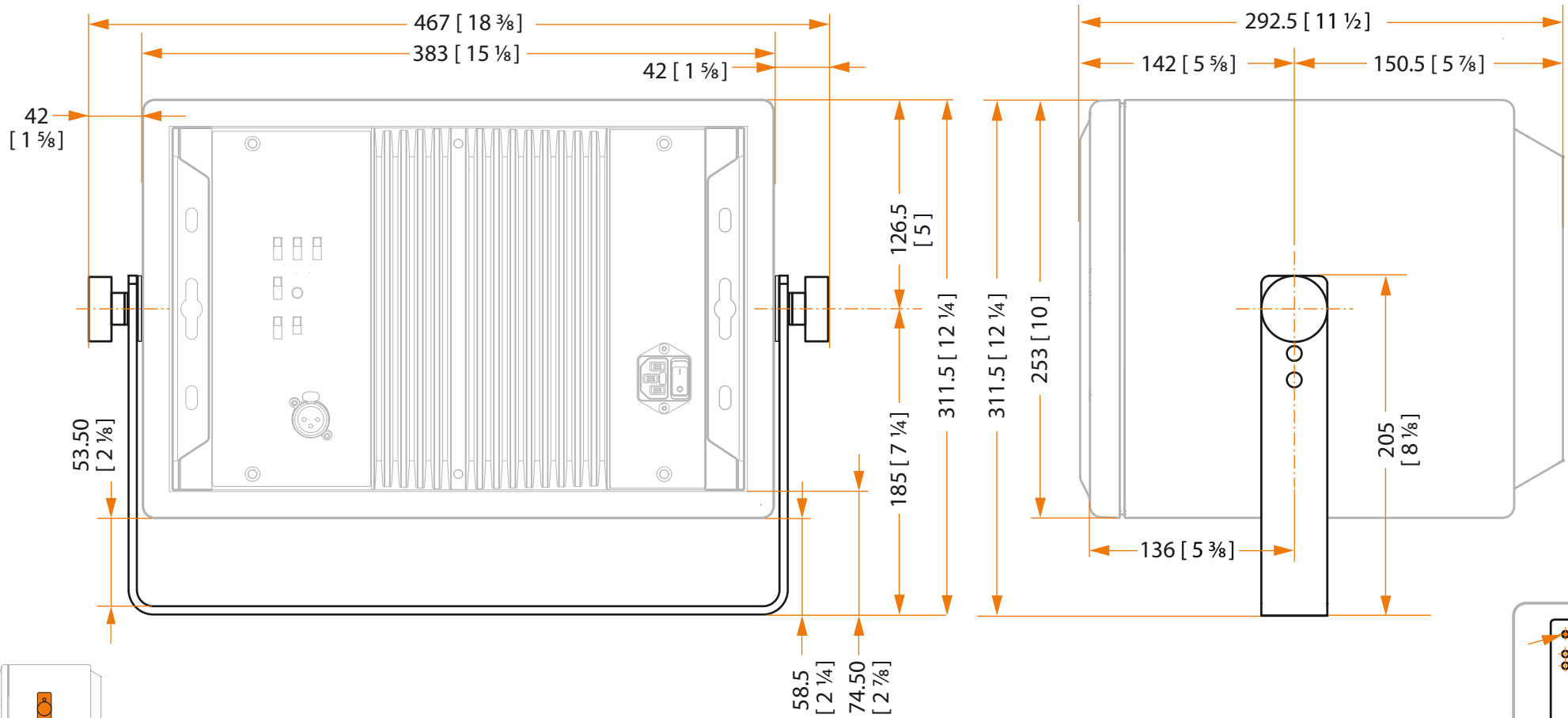
* While it is possible to mount the KH 310 vertically as shown here, Neumann recommends that you mount it horizontally whenever possible.



MAIN



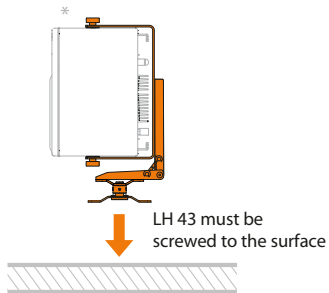
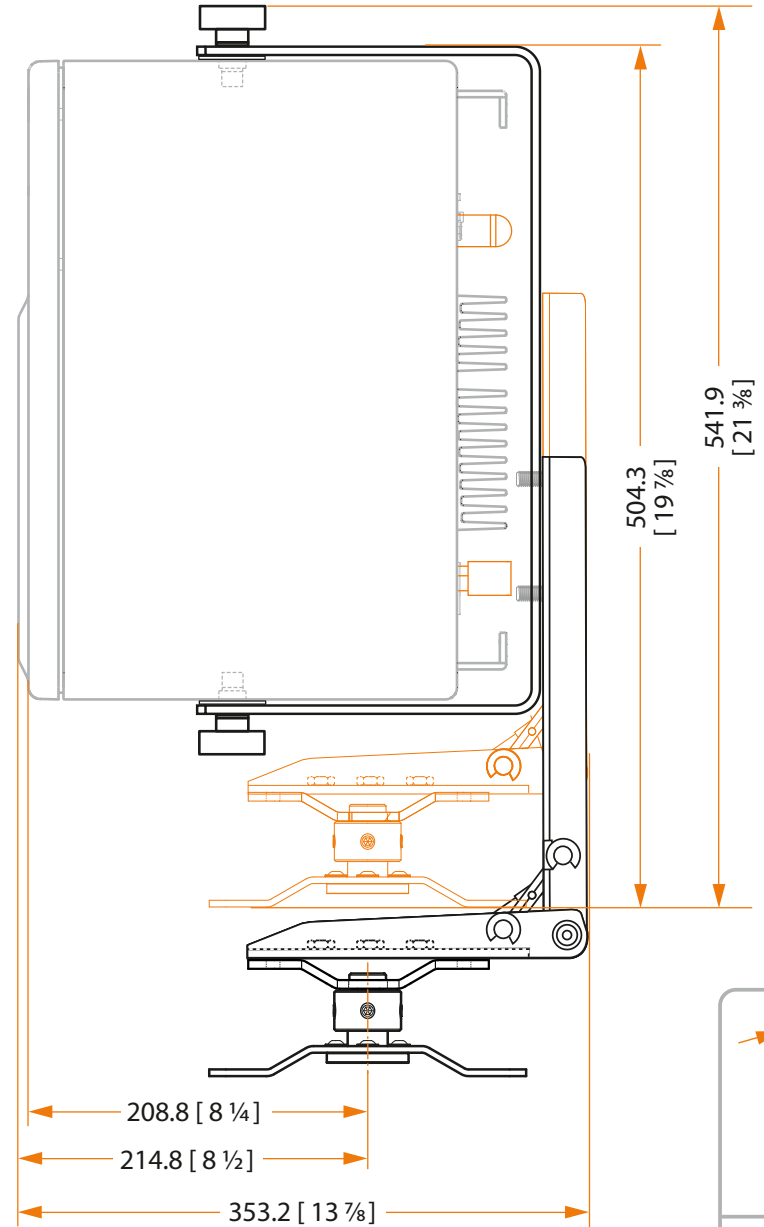
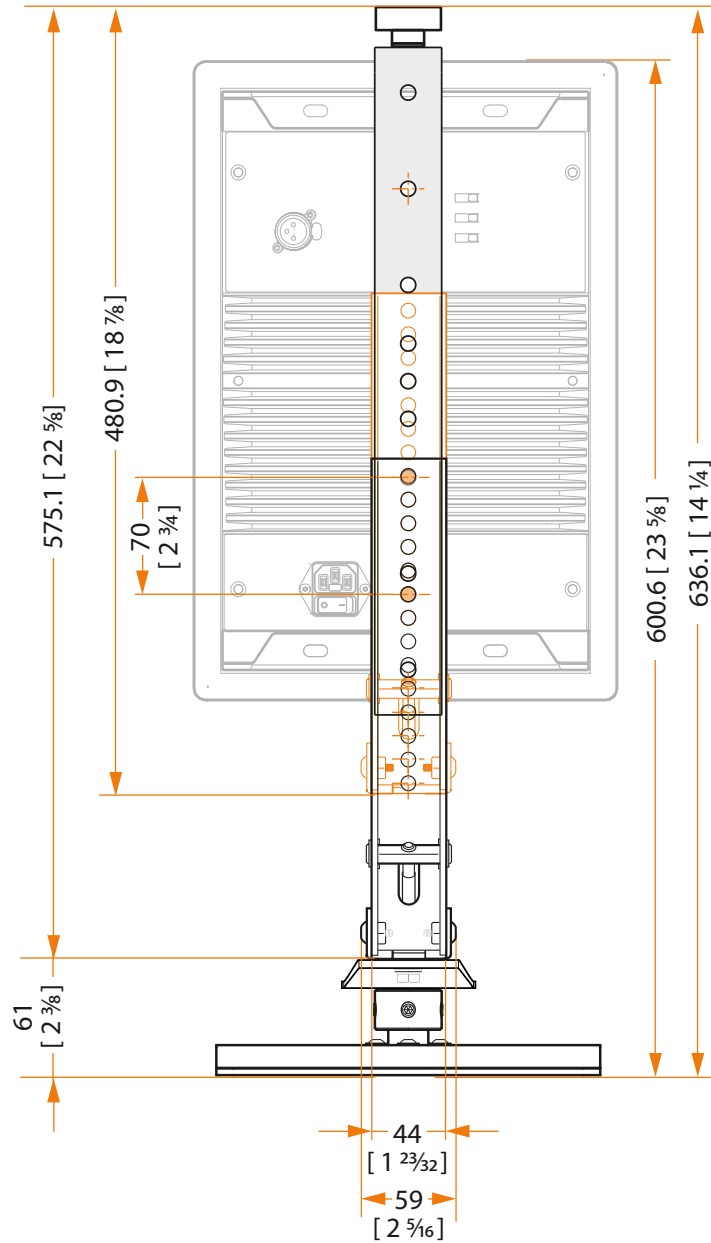
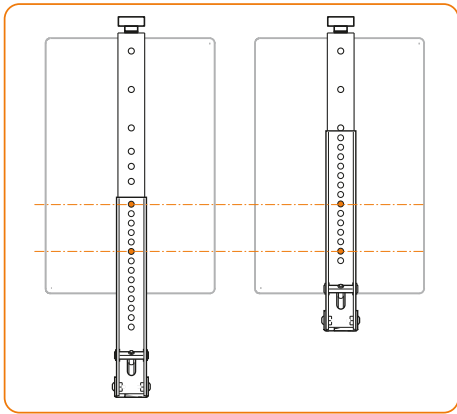
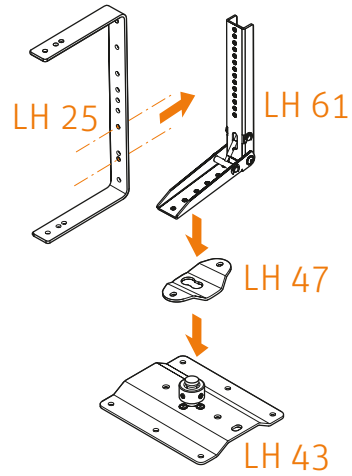
LH 25



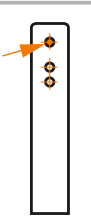
mm [inch]



MAIN



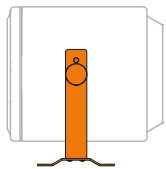
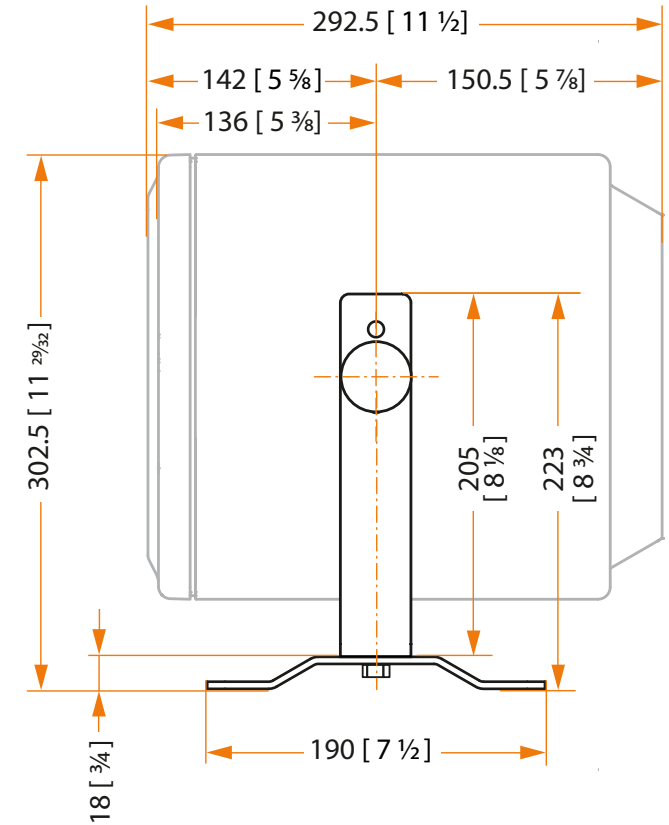
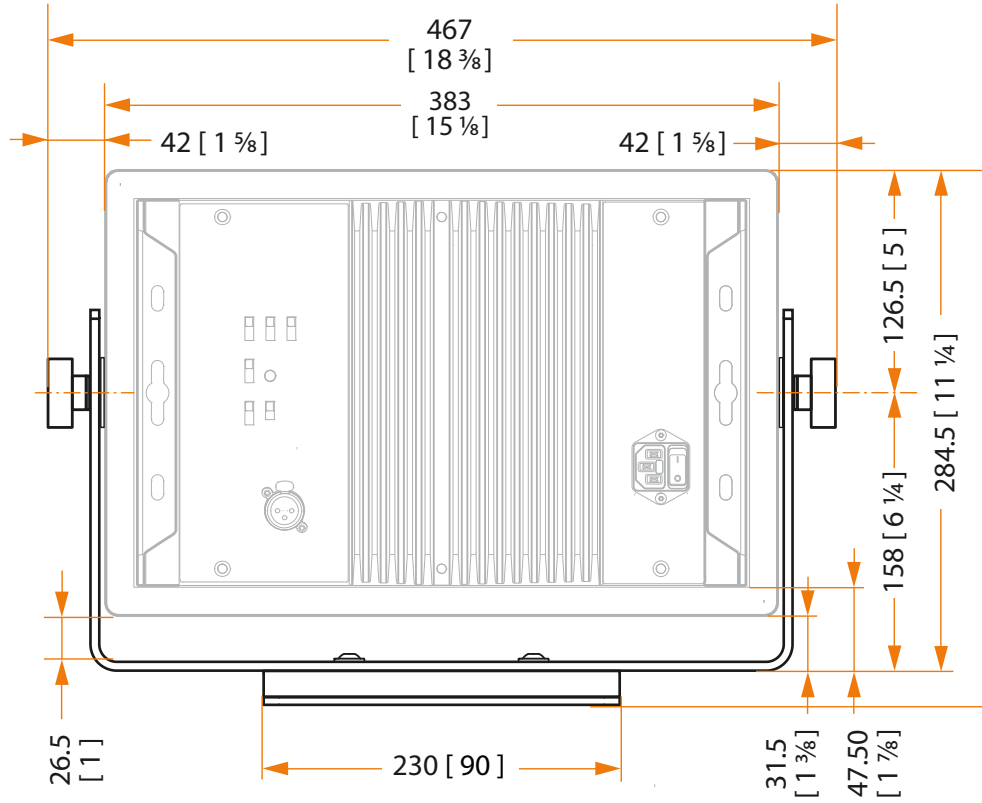
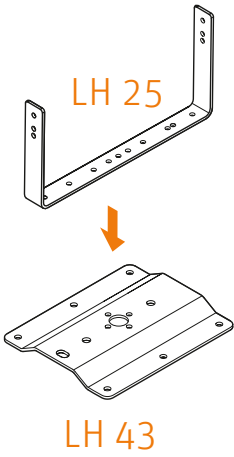
* While it is possible to mount the KH 310 vertically as shown here, Neumann recommends that you mount it horizontally whenever possible.



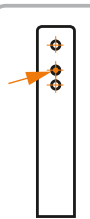
mm [inch]



MAIN



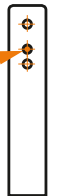
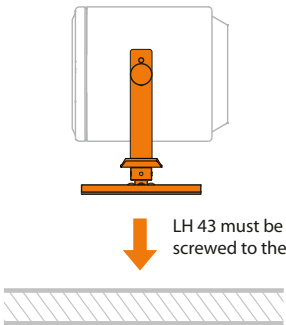
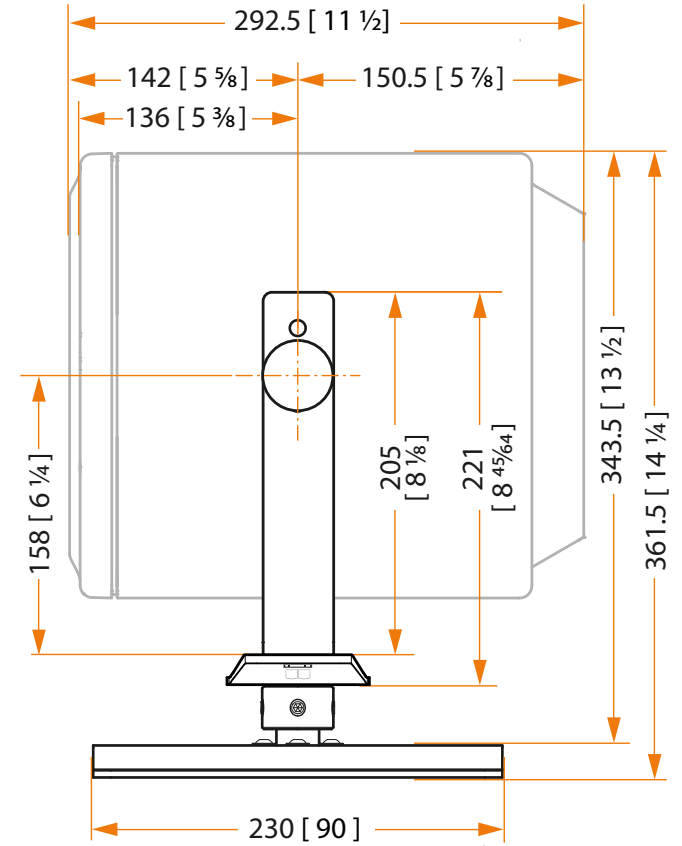
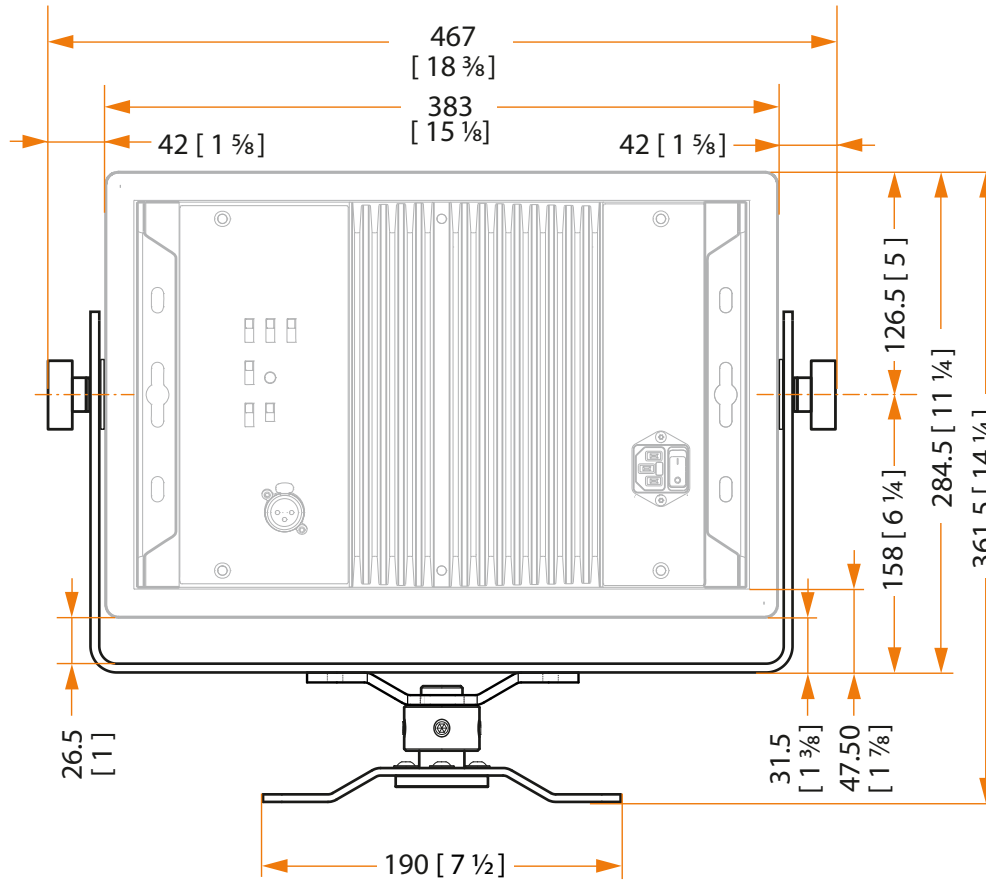
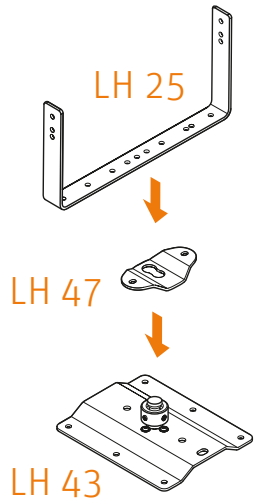
LH 43 must be screwed to the surface



mm [inch]



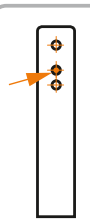
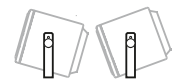
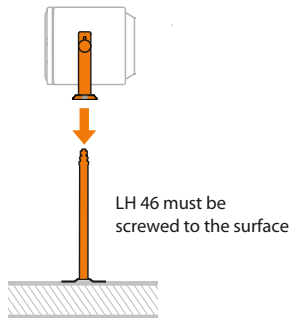
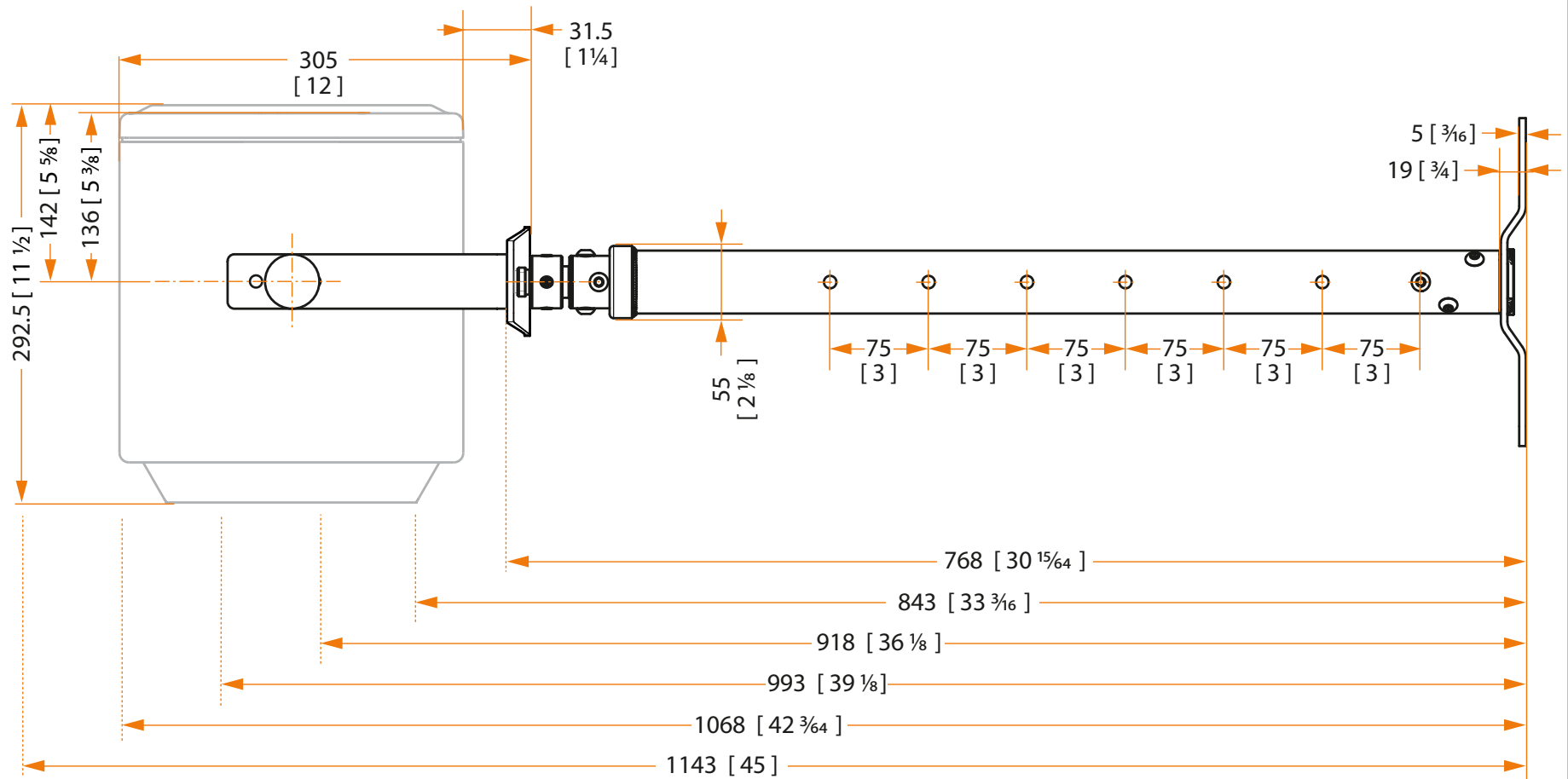
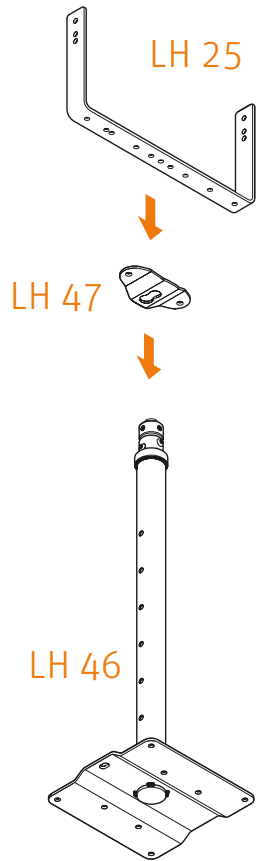
MAIN



mm [inch]



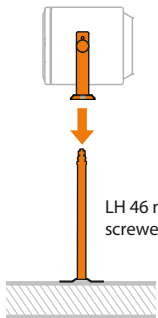
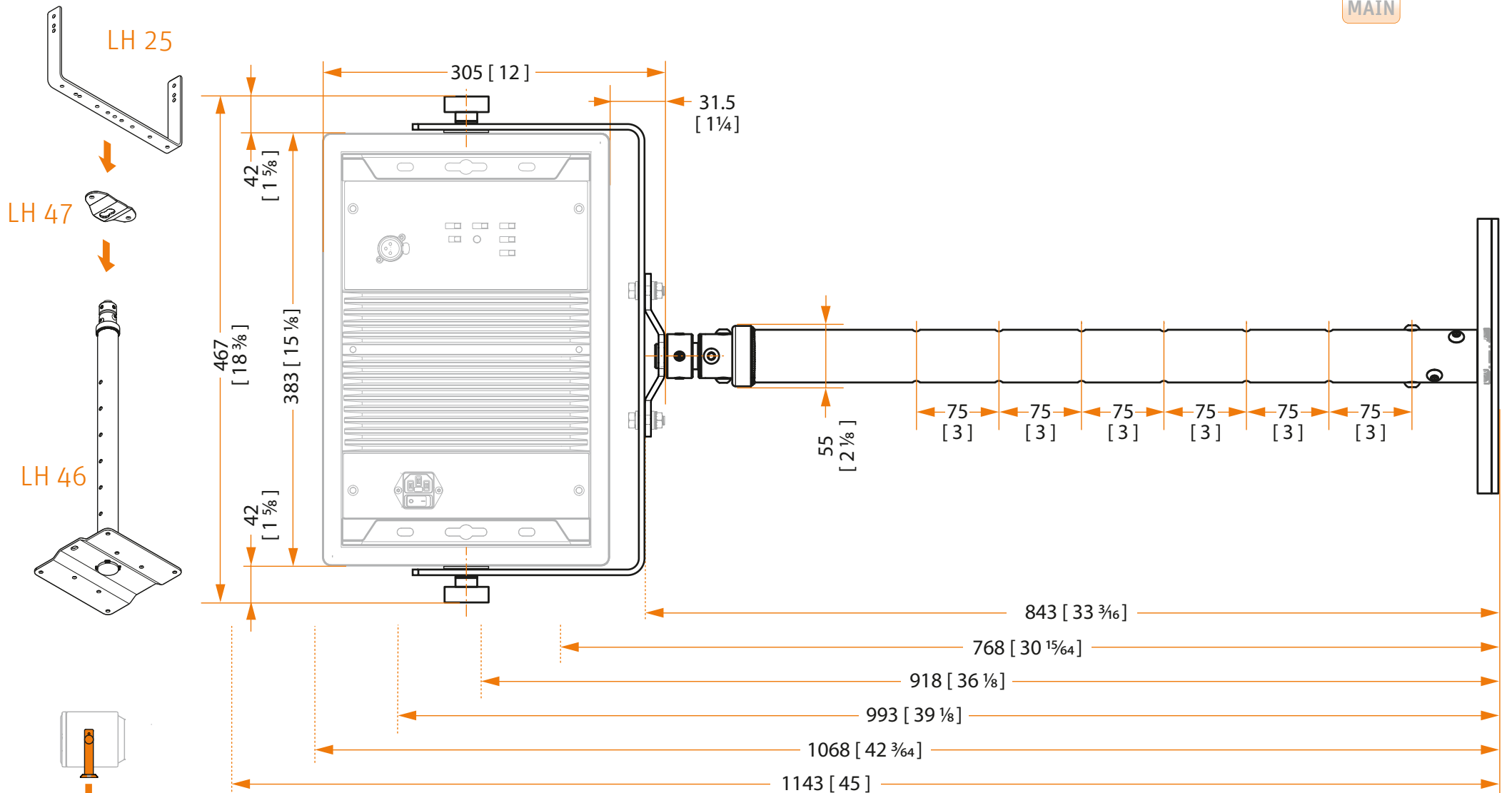
MAIN



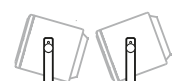
mm [inch]



MAIN



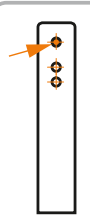
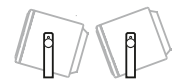
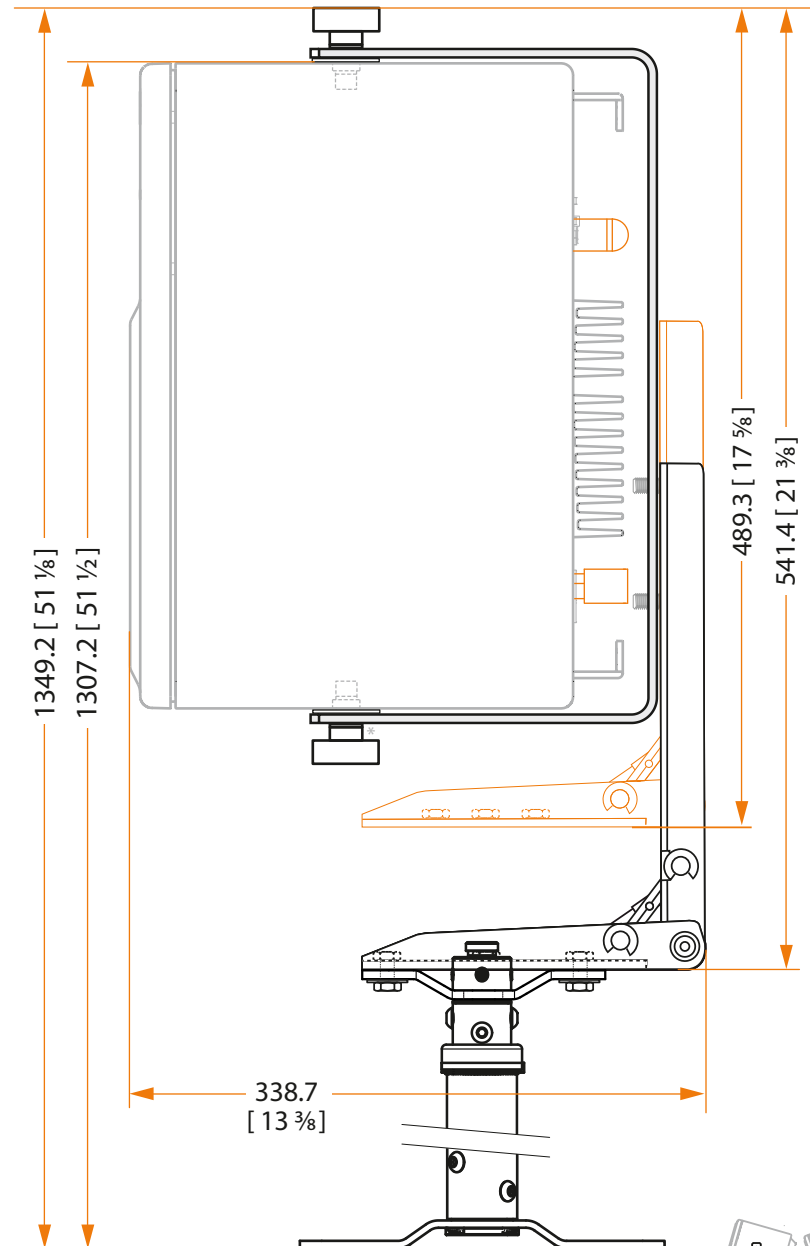
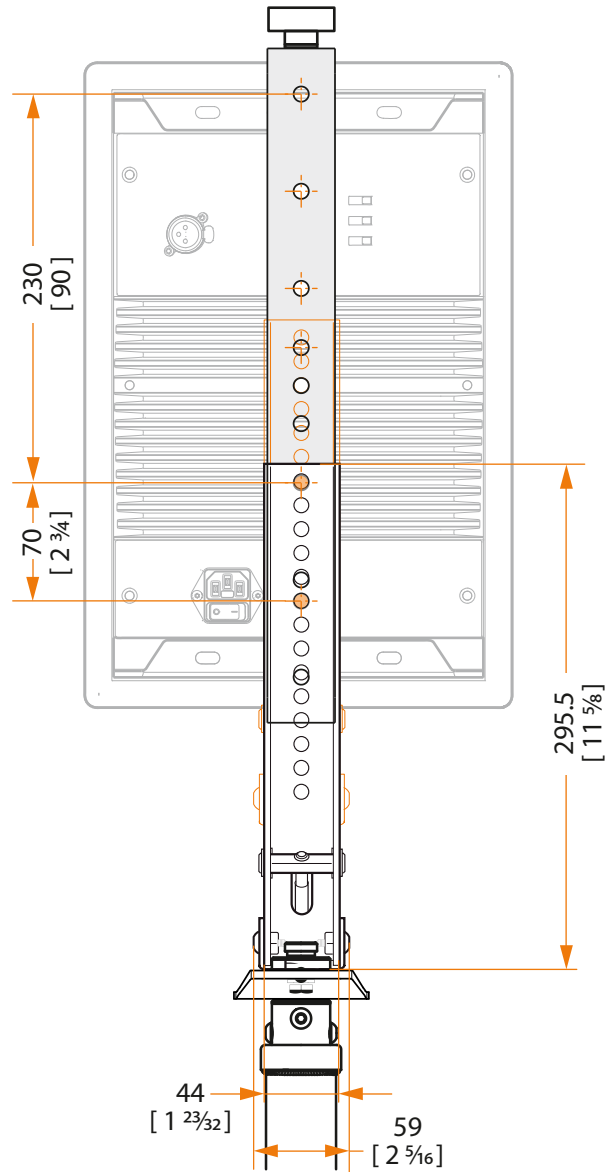
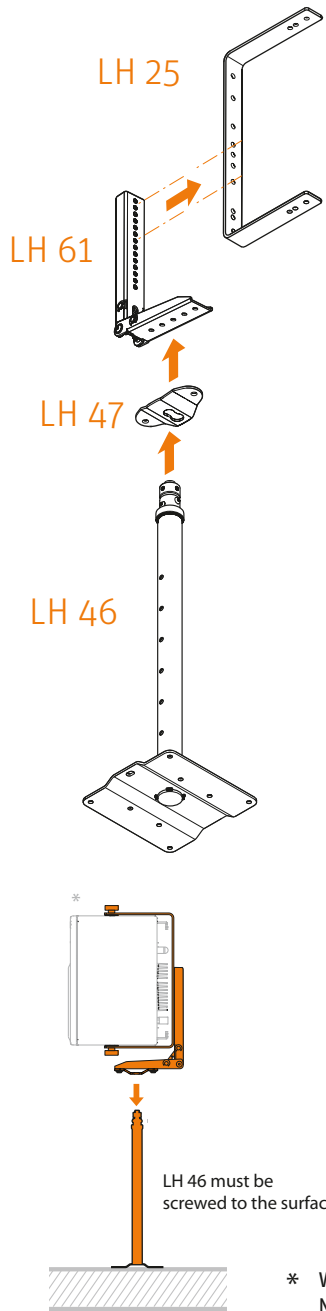
LH 46 must be screwed to the surface



mm [inch]



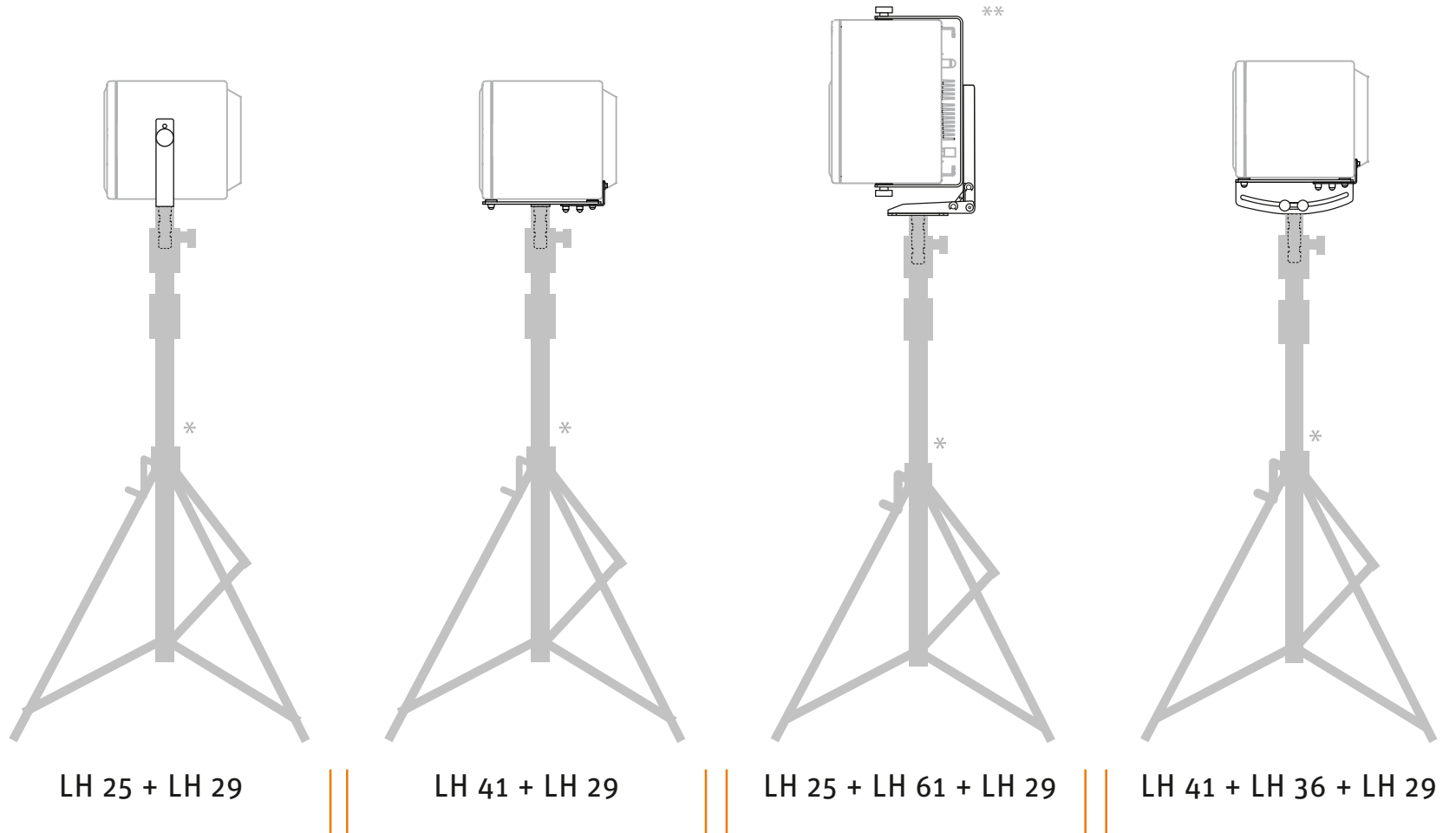
MAIN



mm [inch]



KH 310 | Mounting on a lighting stand

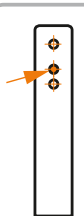
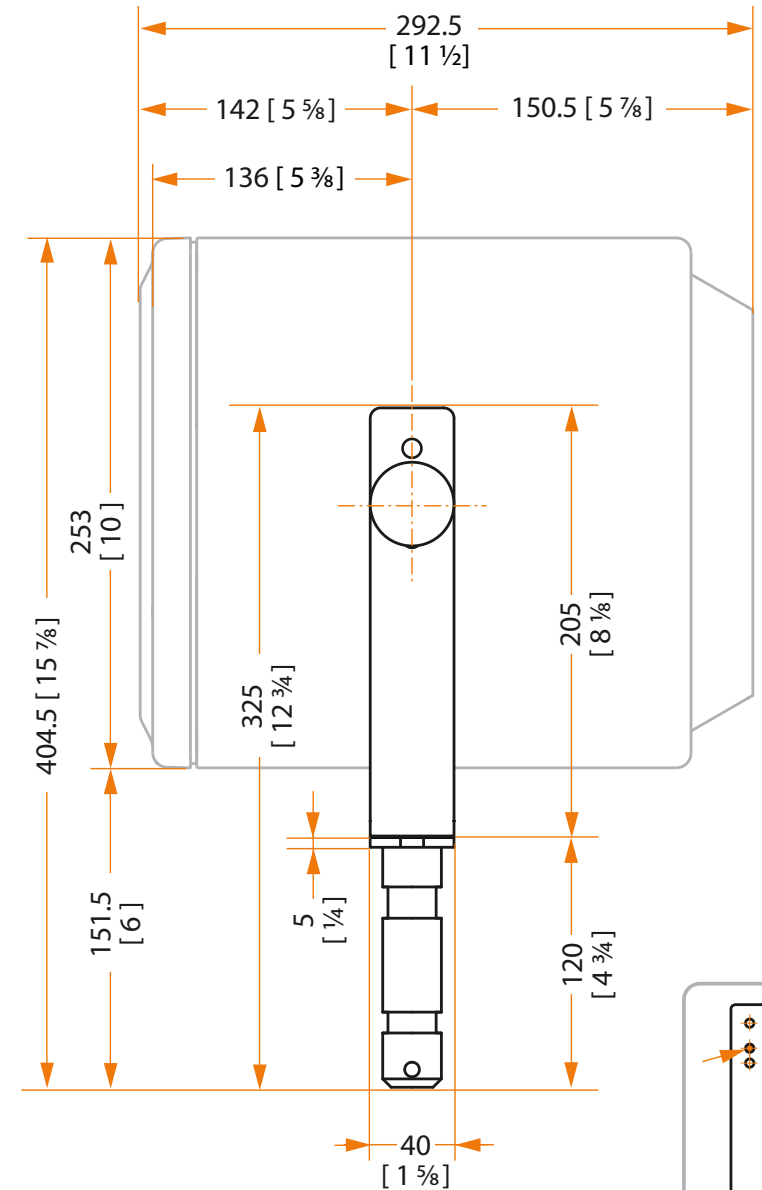
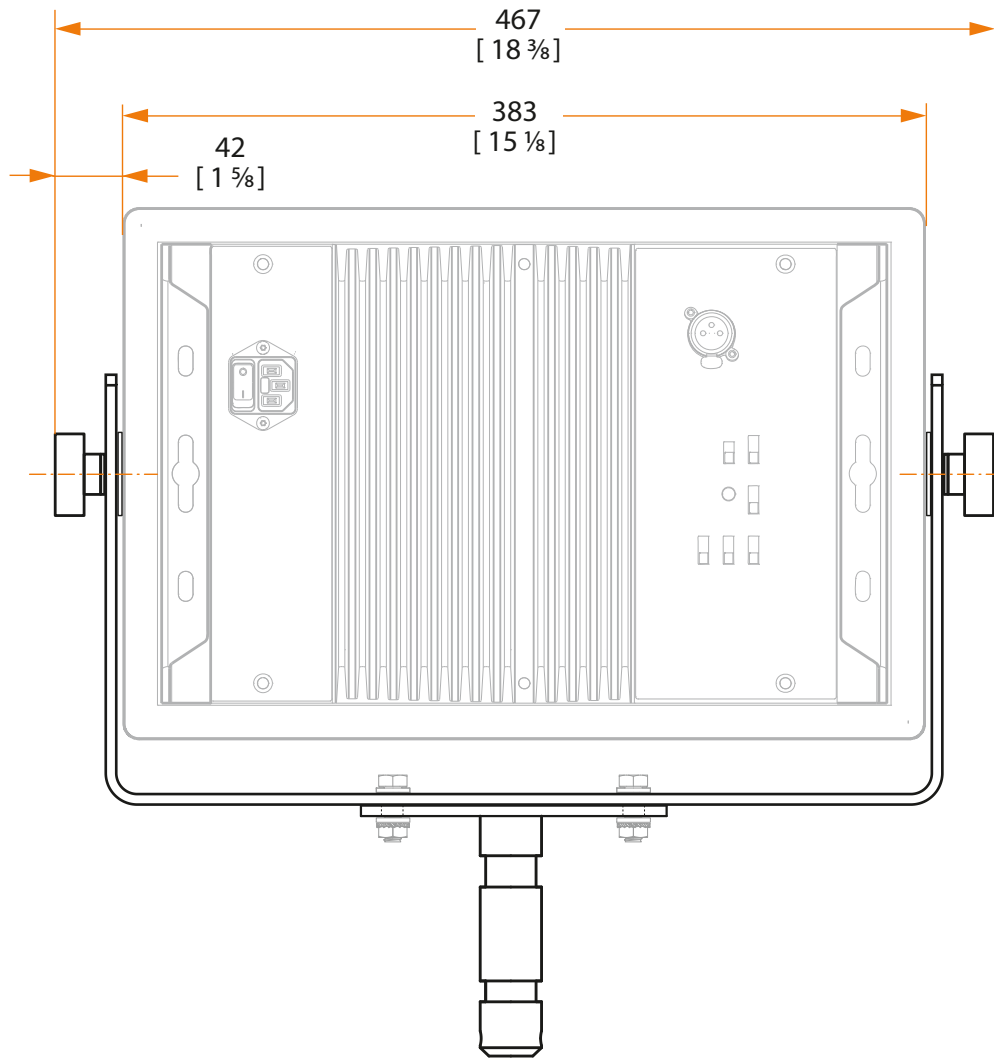
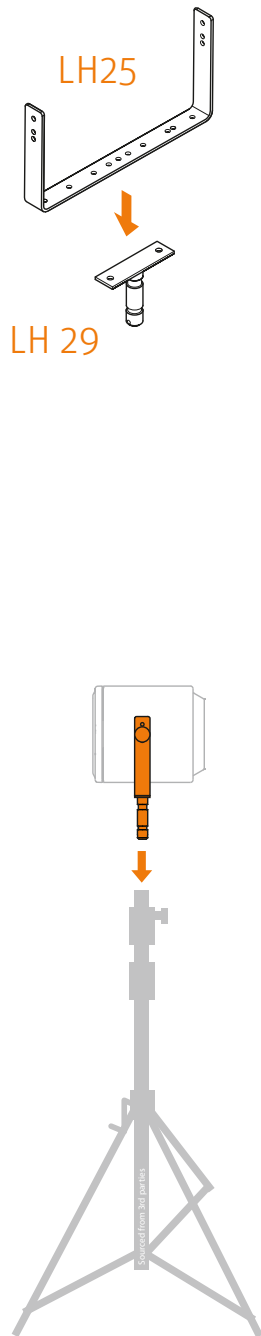


** While it is possible to mount the KH 310 vertically as shown here, Neumann recommends that you mount it horizontally whenever possible.

* Sourced from 3rd parties



MAIN

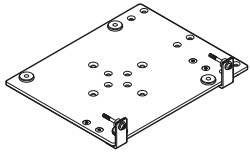


mm [inch]

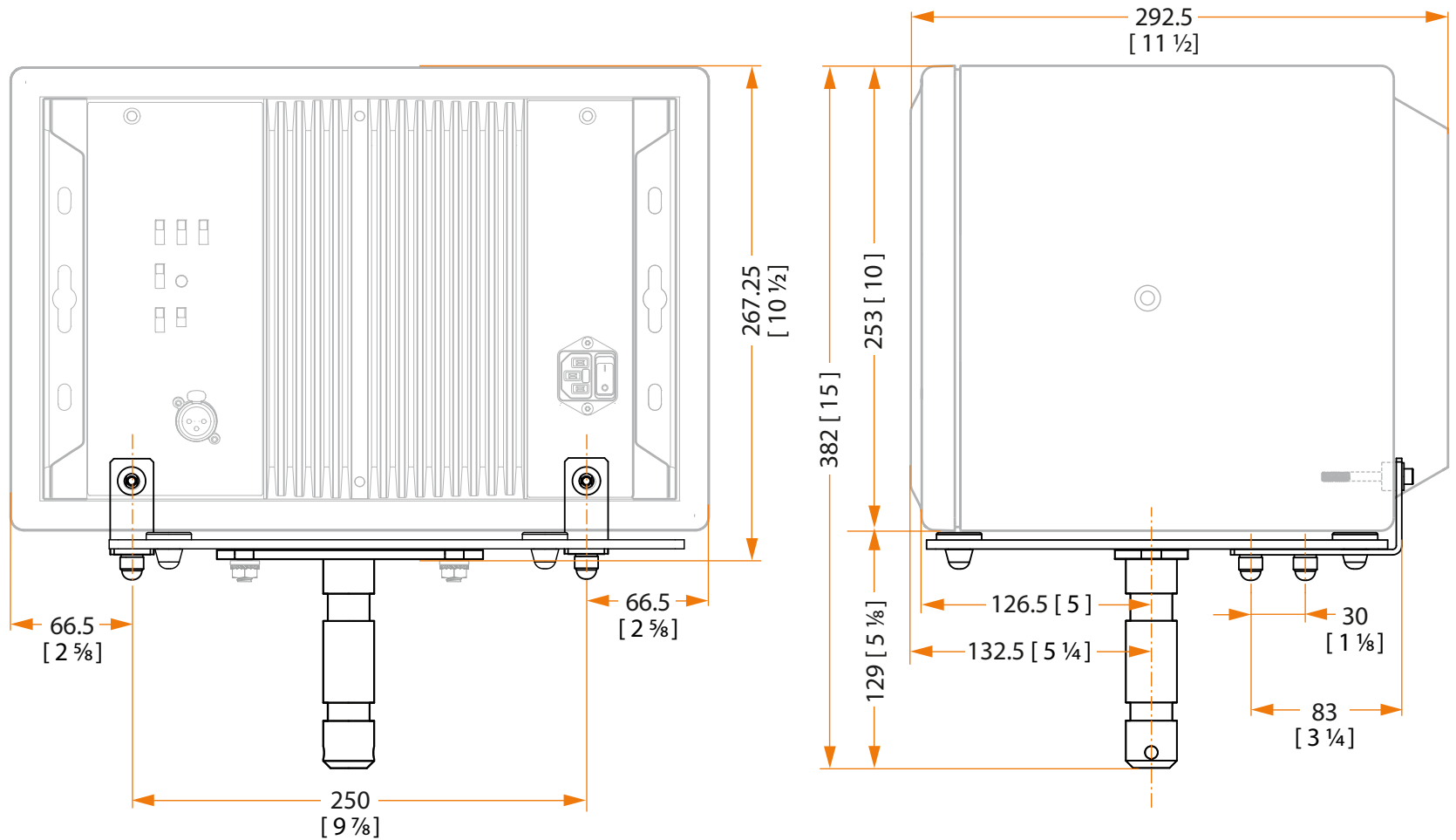
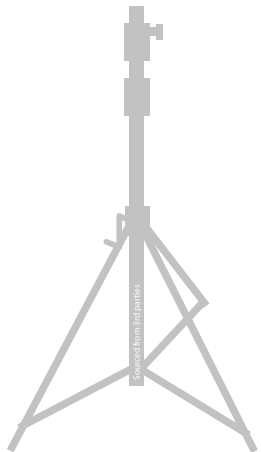
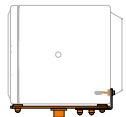


MAIN

LH 41



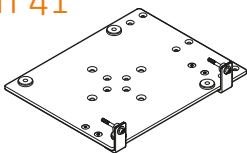
LH 29



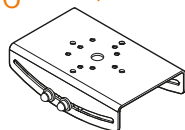


MAIN

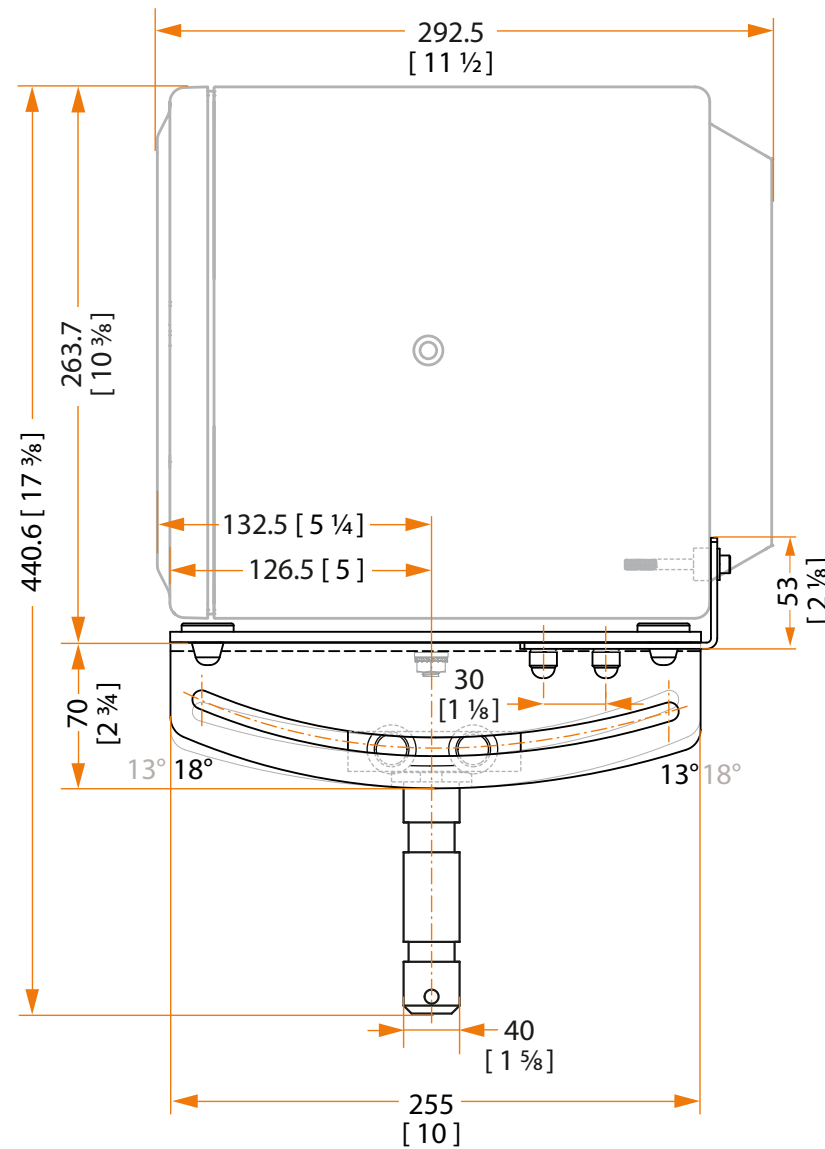
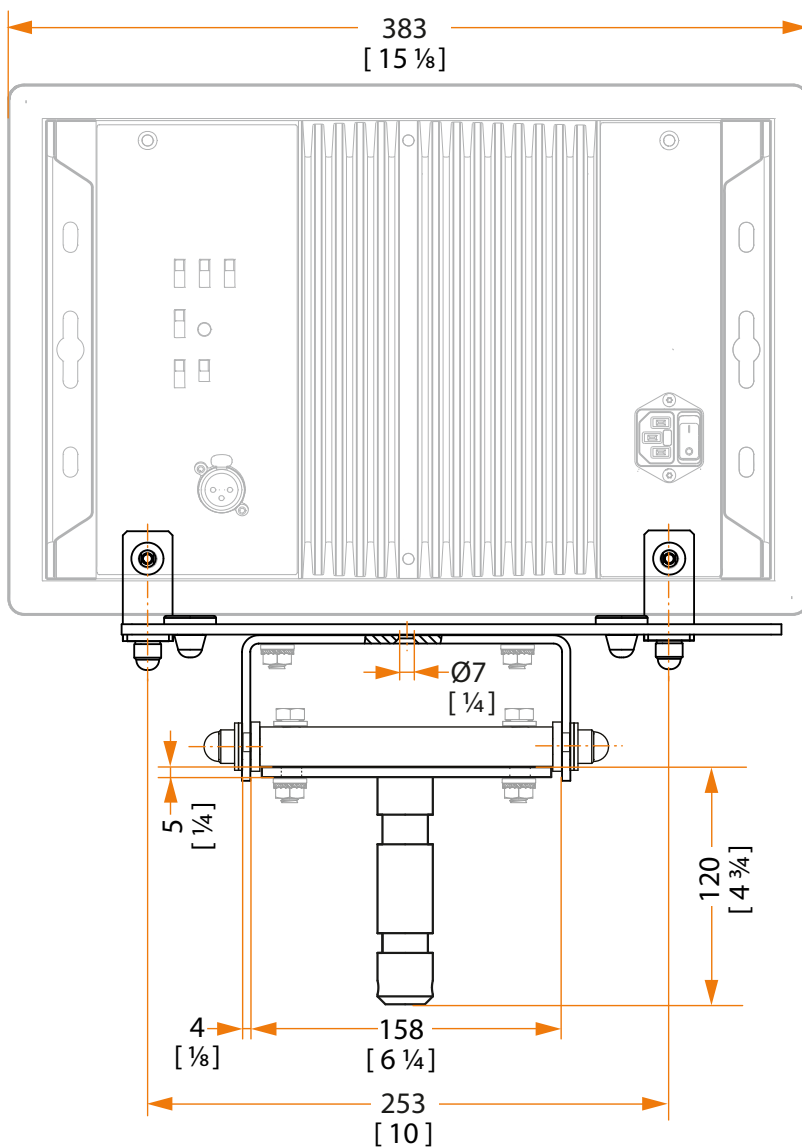
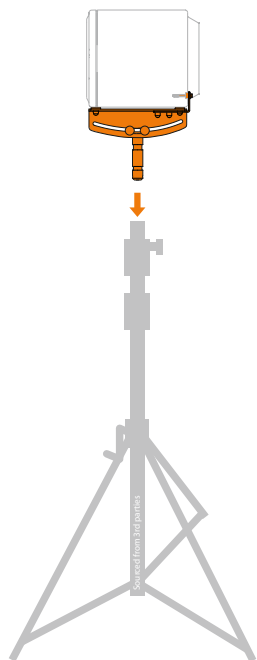
LH 41



LH 36



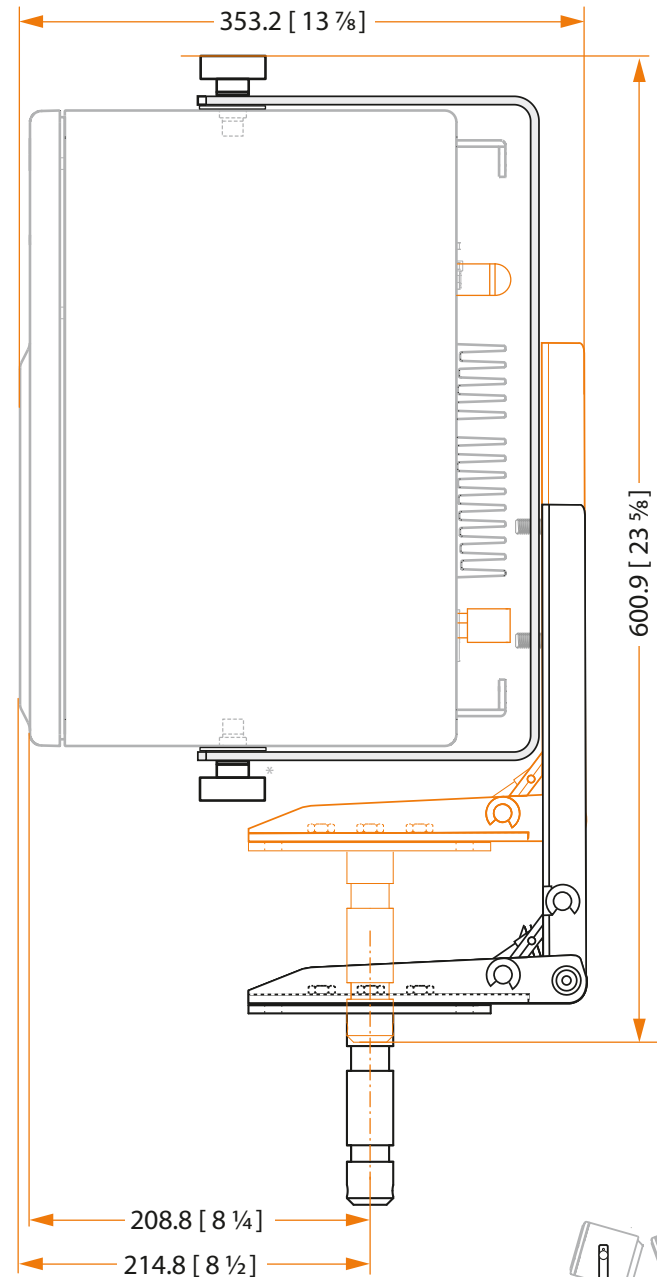
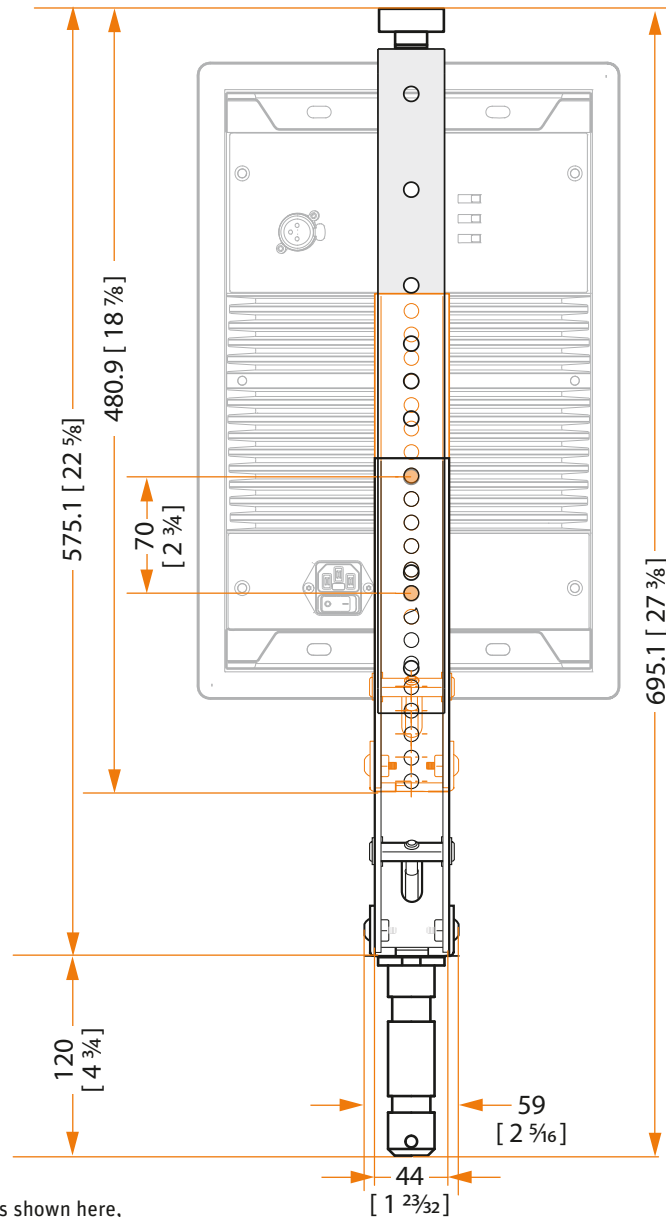
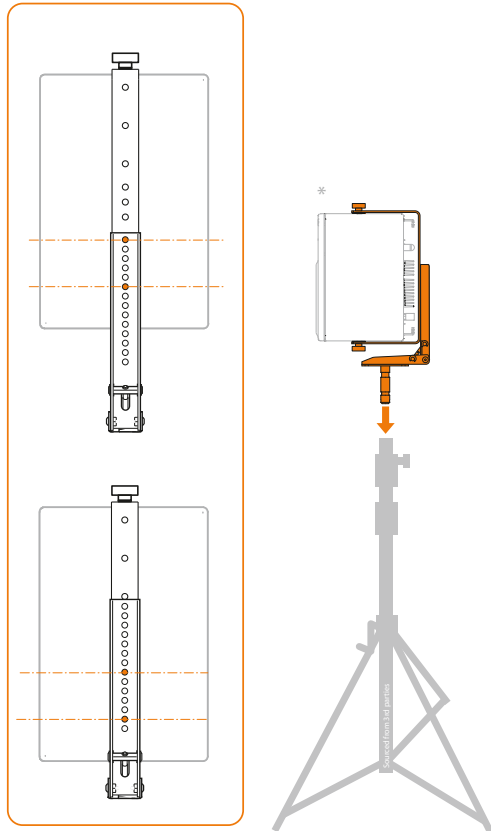
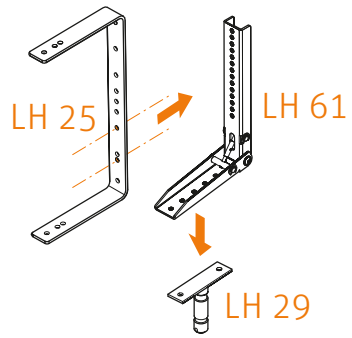
LH 29



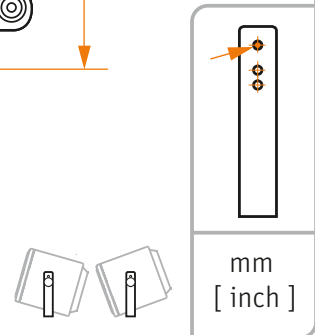
mm [inch]



MAIN

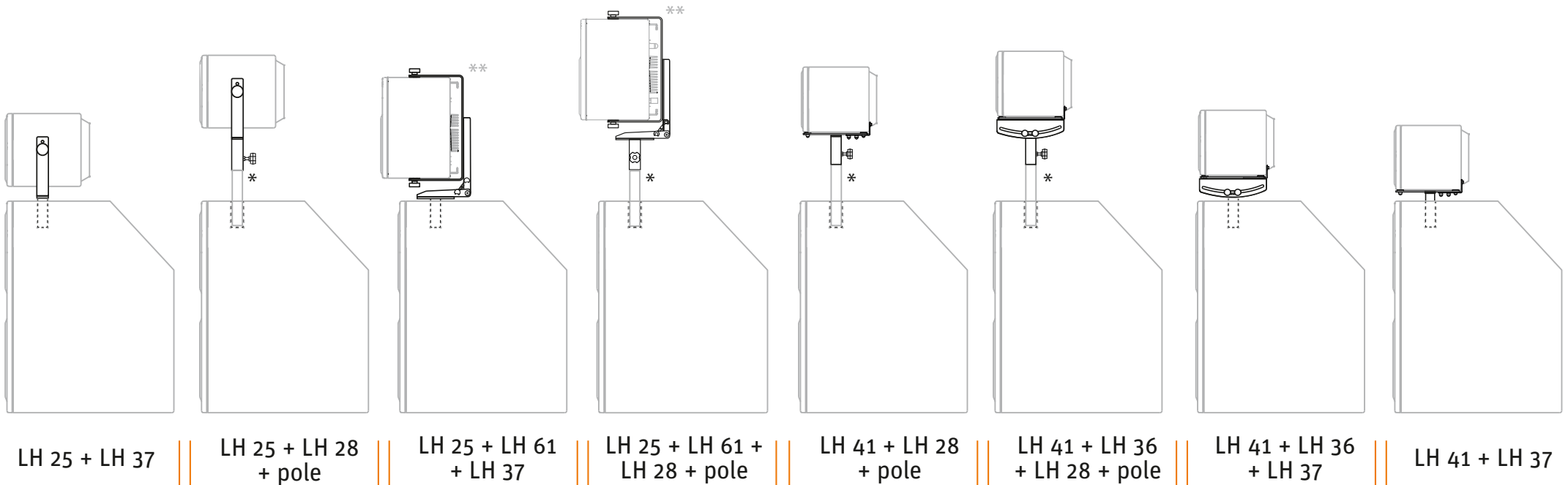


* While it is possible to mount the KH 310 vertically as shown here, Neumann recommends that you mount it horizontally whenever possible.





KH 310 | Mounting on a subwoofer

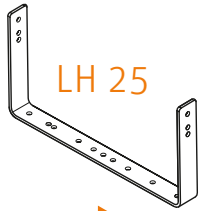


** While it is possible to mount the KH 310 vertically as shown here, Neumann recommends that you mount it horizontally whenever possible.

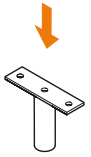
* Pole is sourced from third parties.



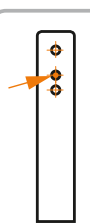
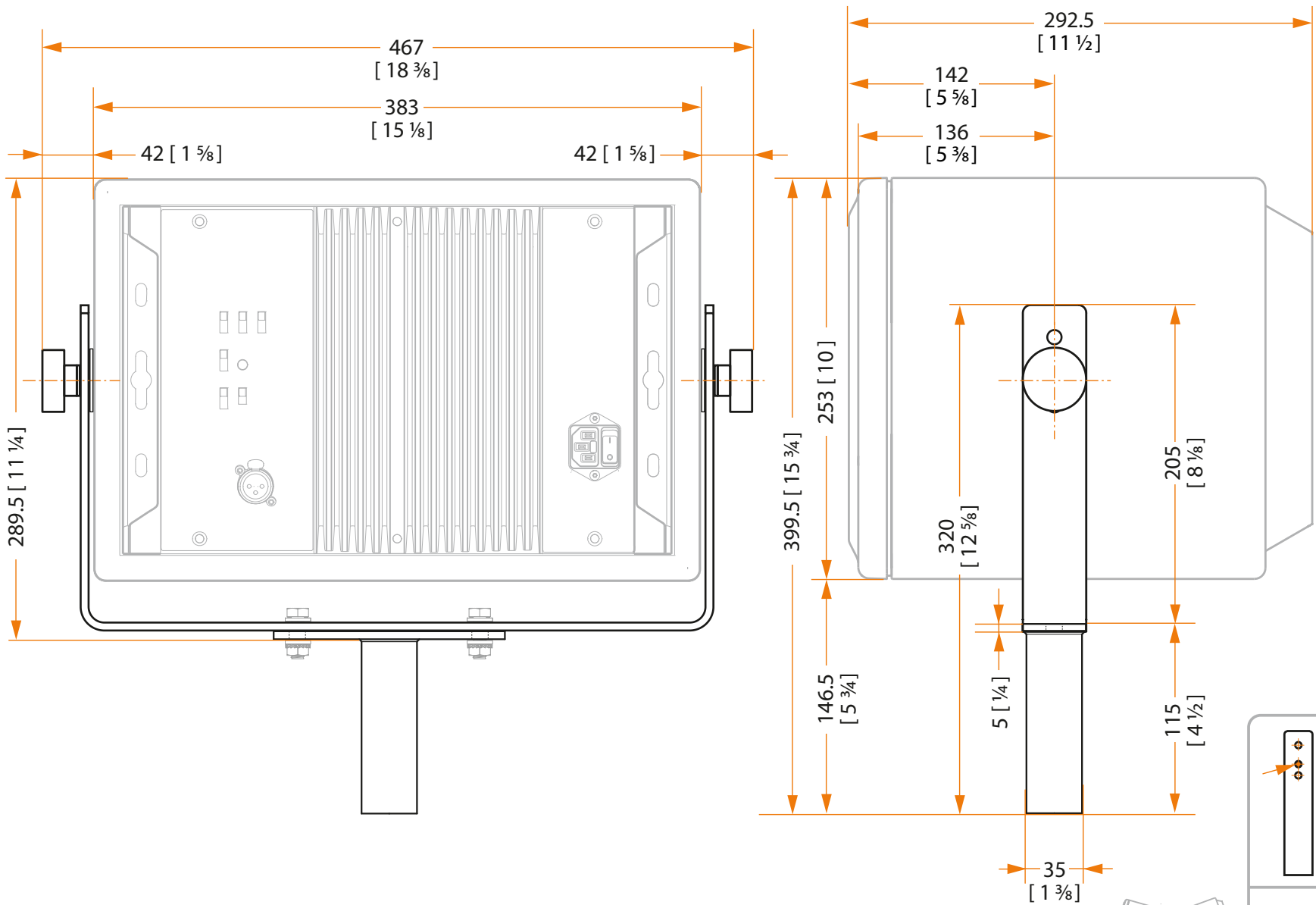
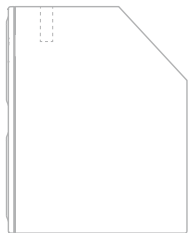
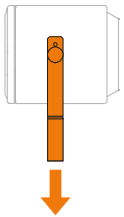
MAIN



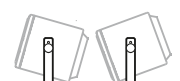
LH 25



LH 37



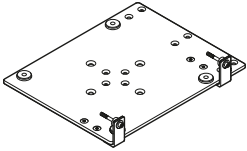
mm [inch]



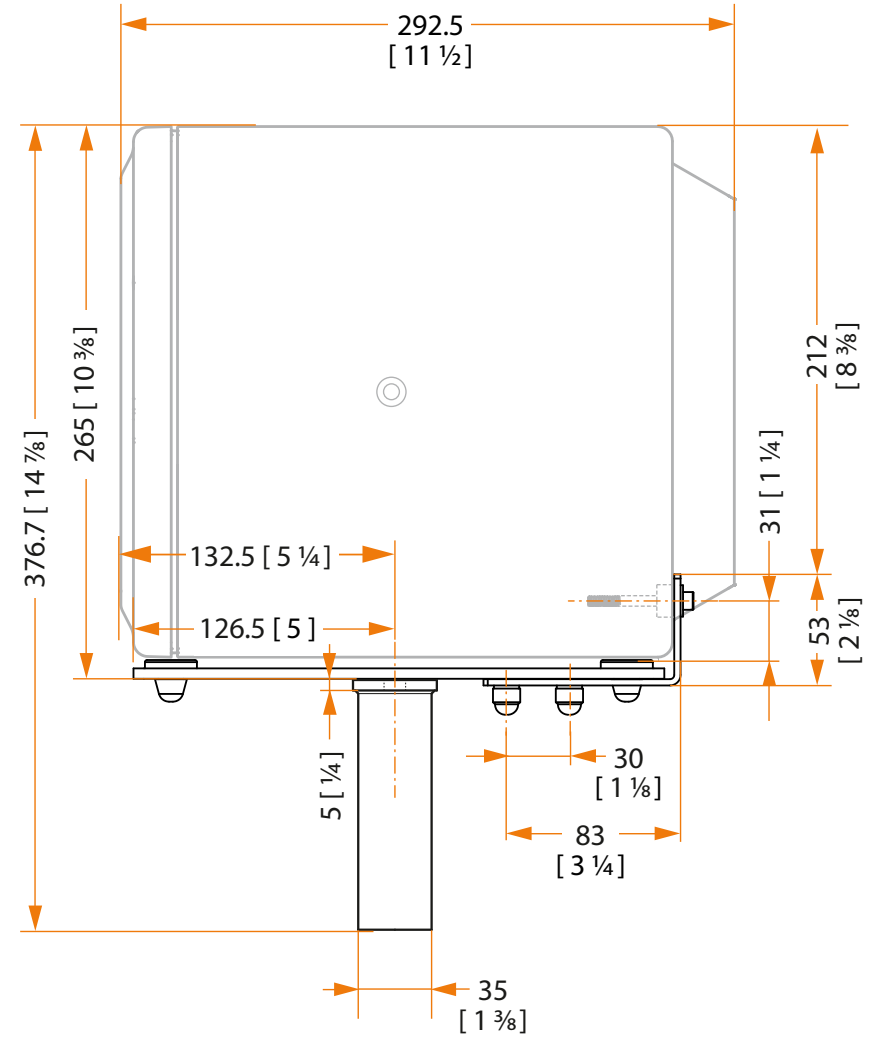
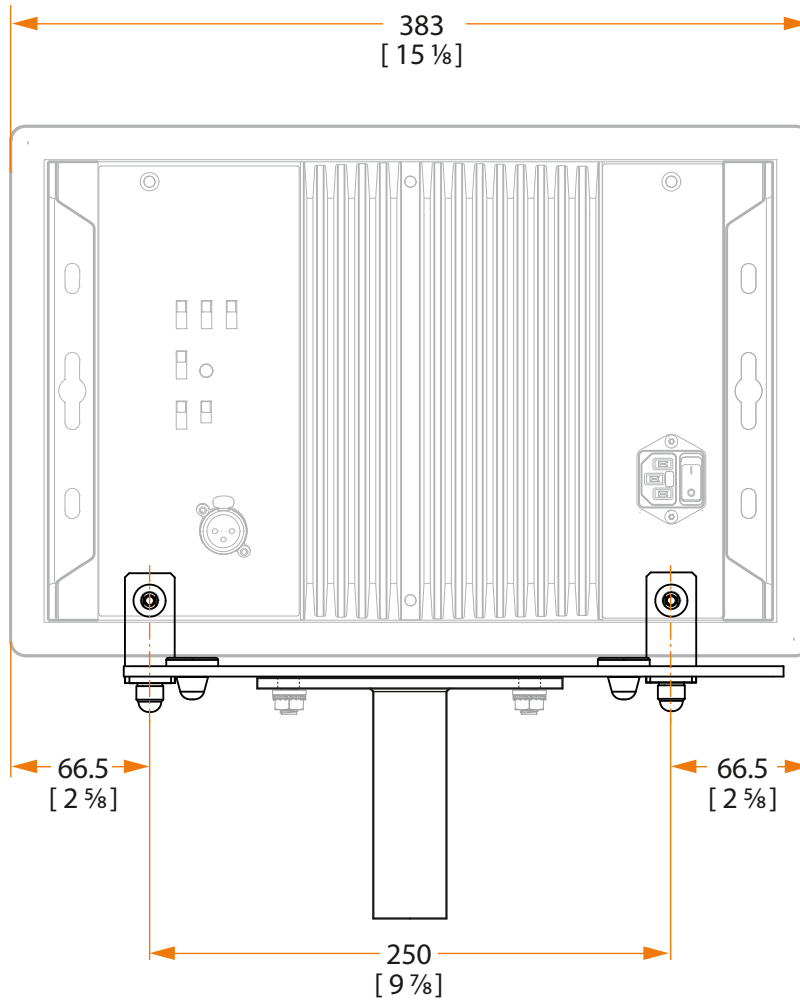
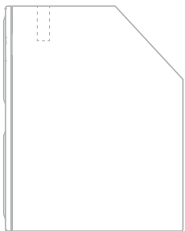
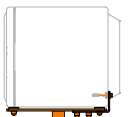


MAIN

LH 41



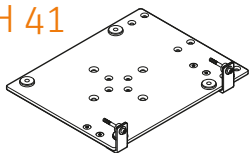
LH 37



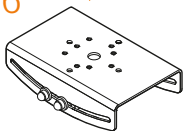


MAIN

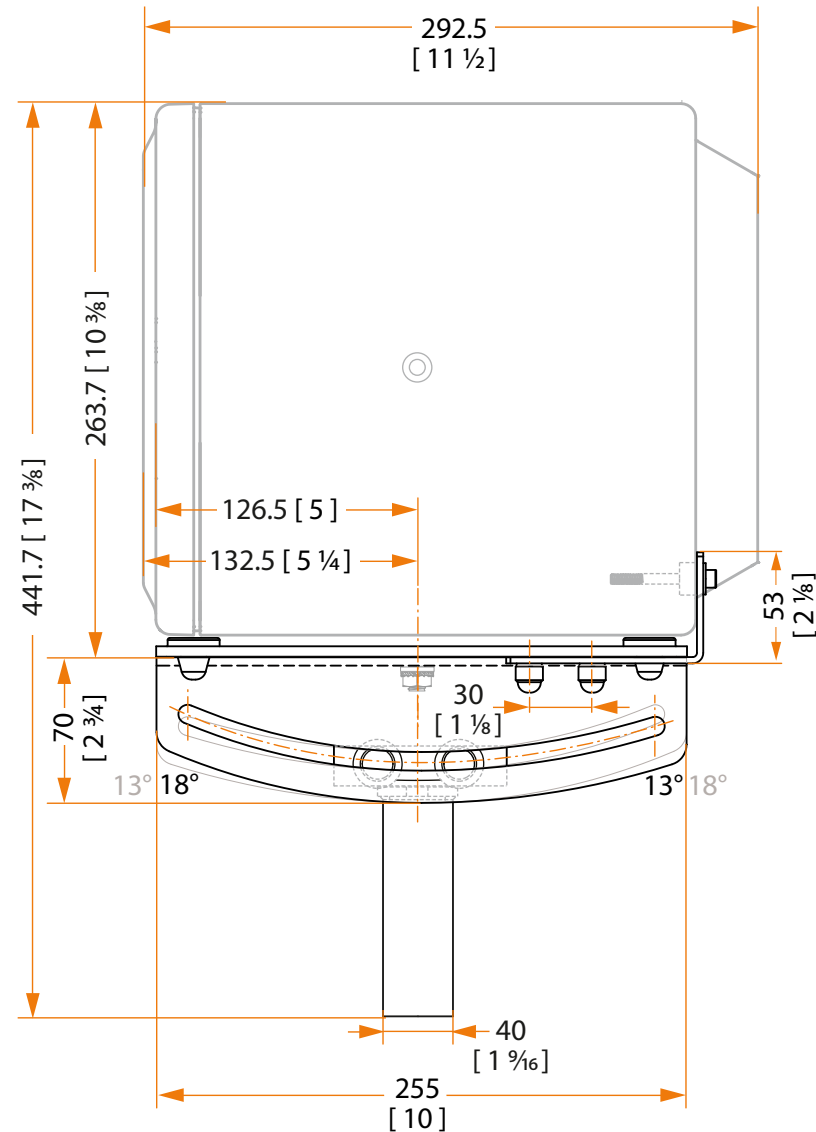
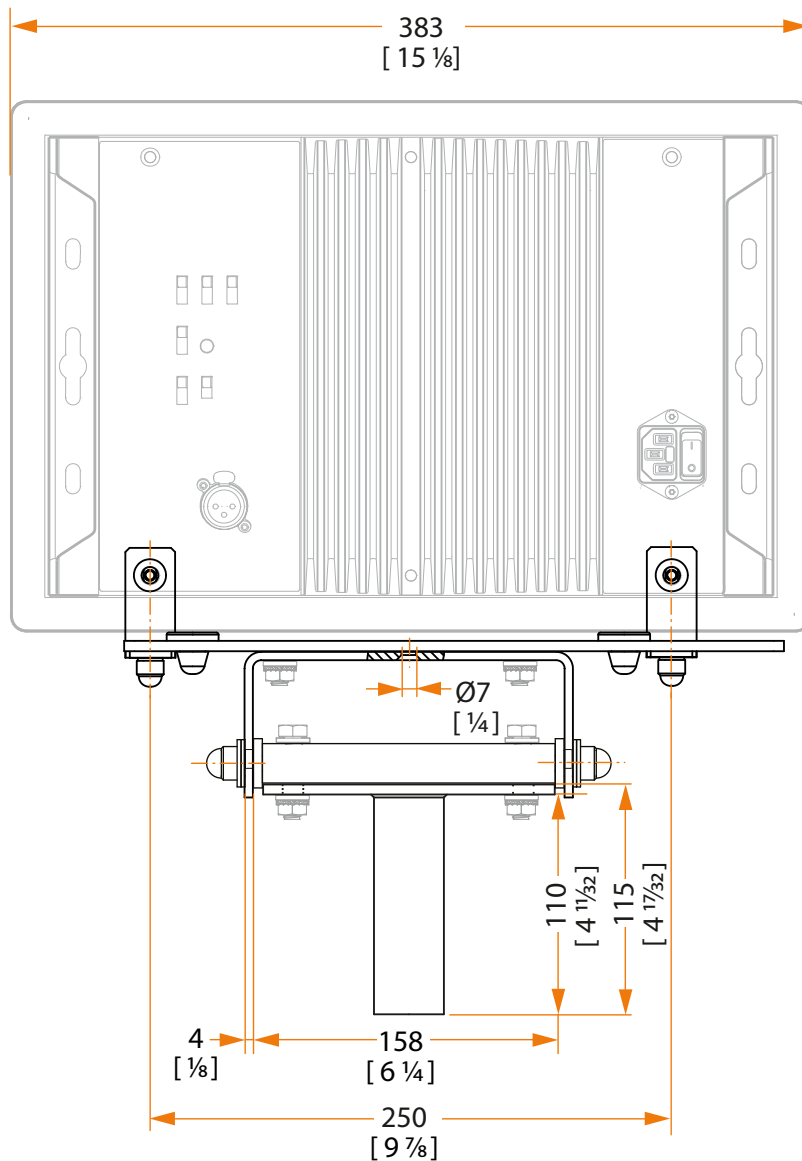
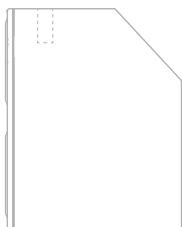
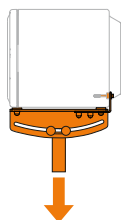
LH 41



LH 36



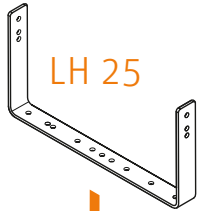
LH 37



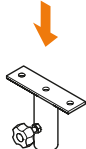
mm [inch]



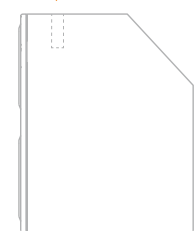
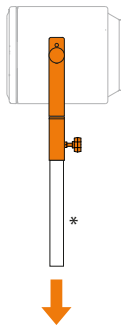
MAIN



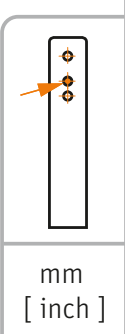
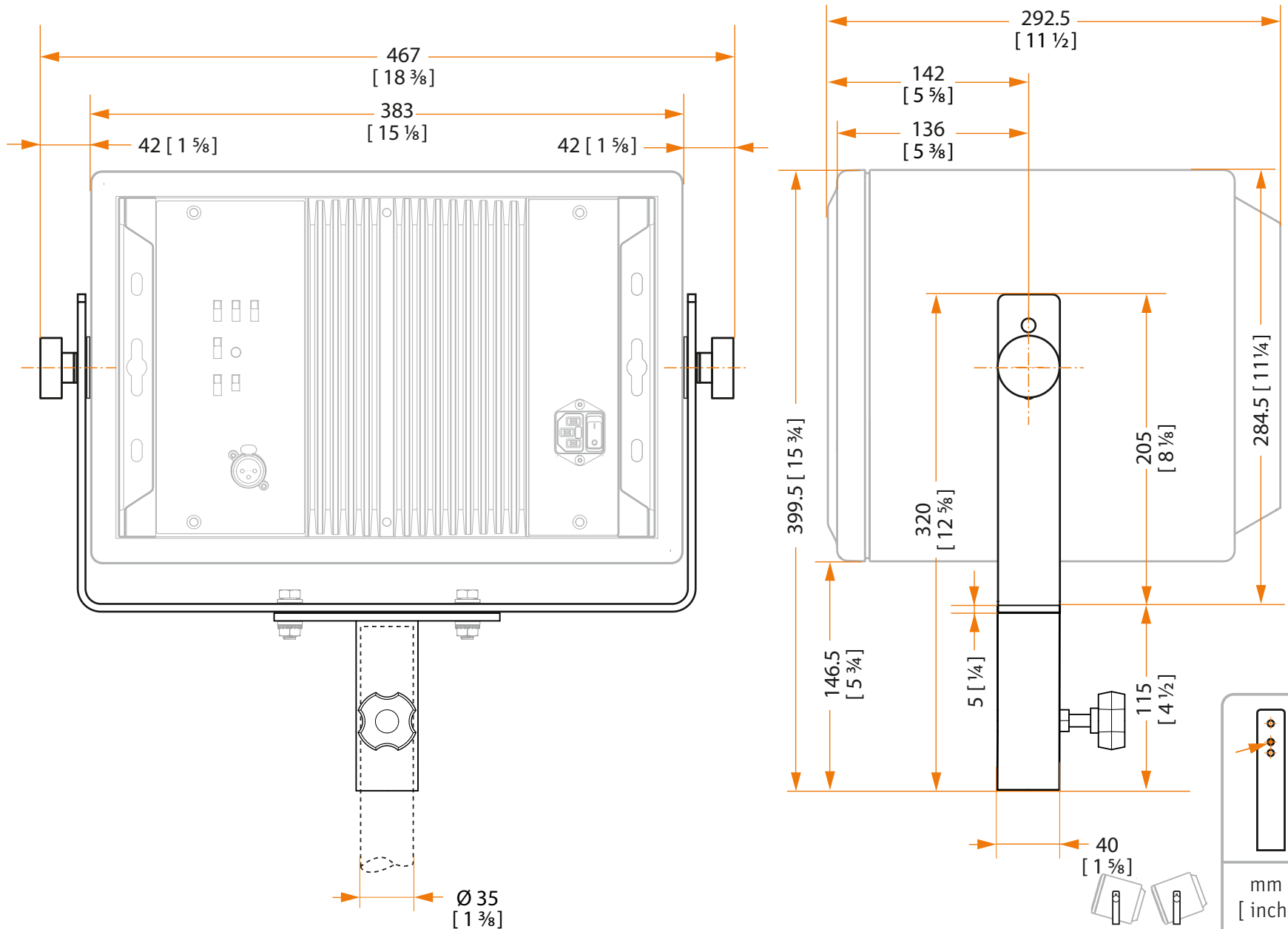
LH 25



LH 28

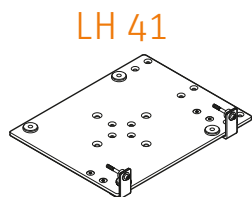


* 35 mm outside diameter pole sourced from third parties

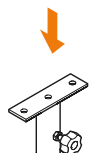




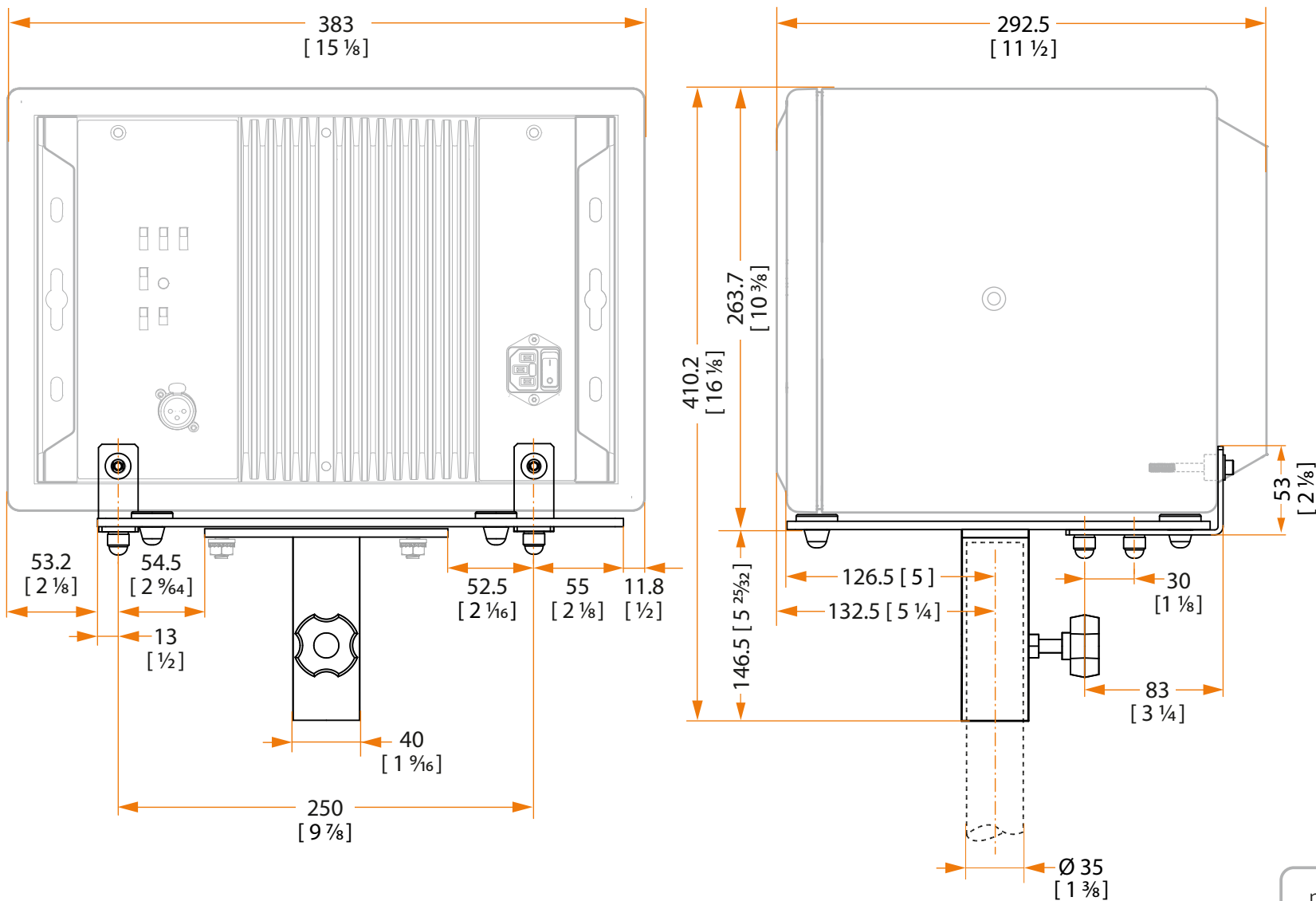
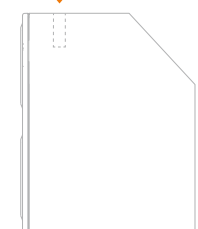
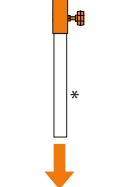
MAIN



LH 41



LH 28

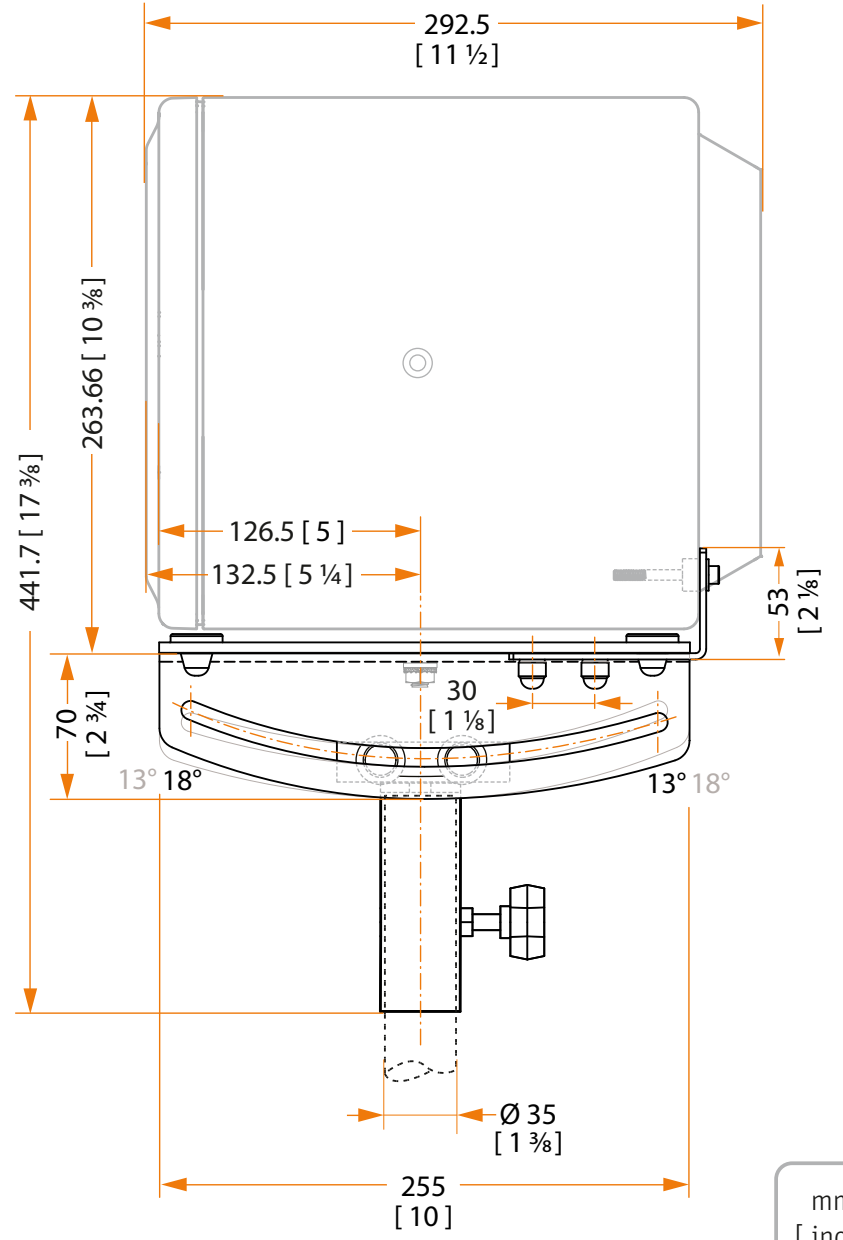
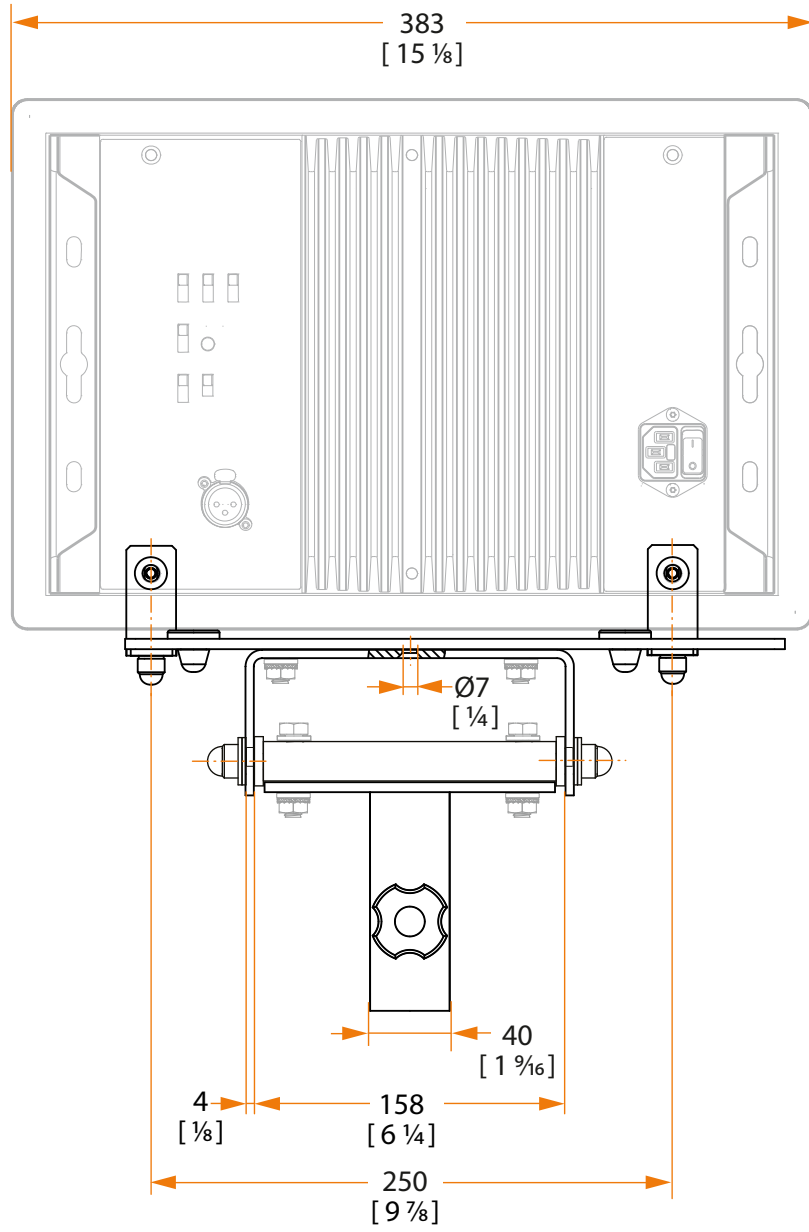
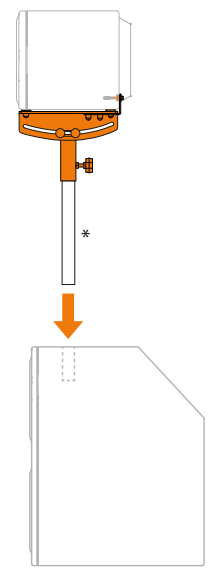
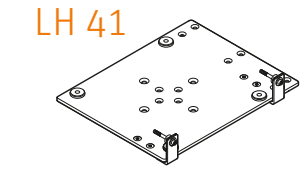


* 35 mm outside diameter pole sourced from third parties

mm [inch]



MAIN

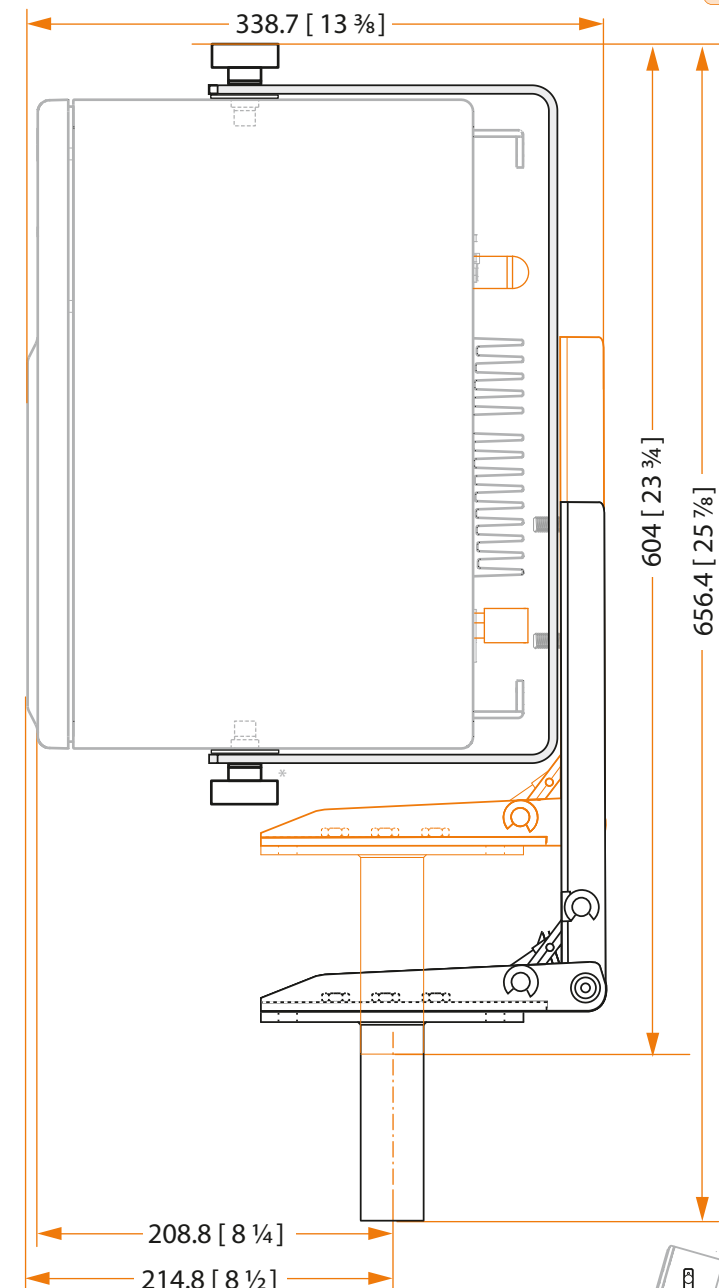
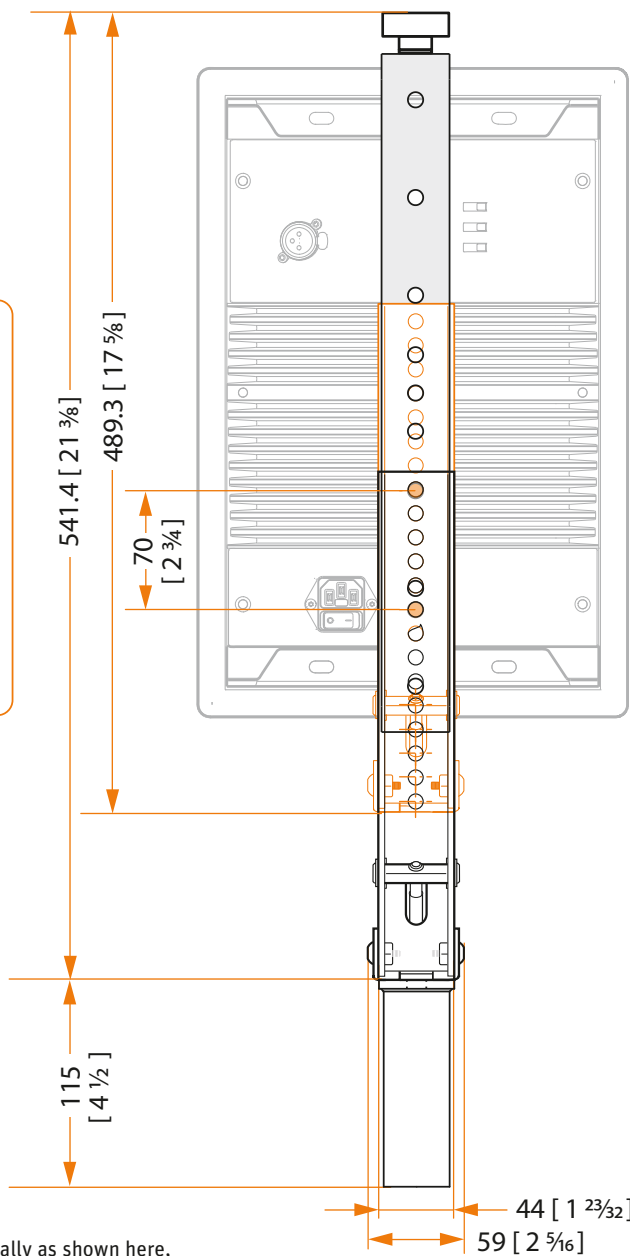
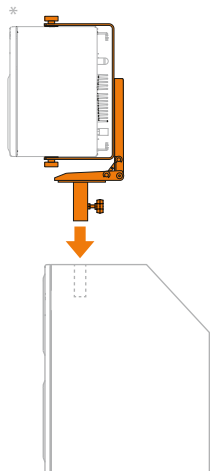
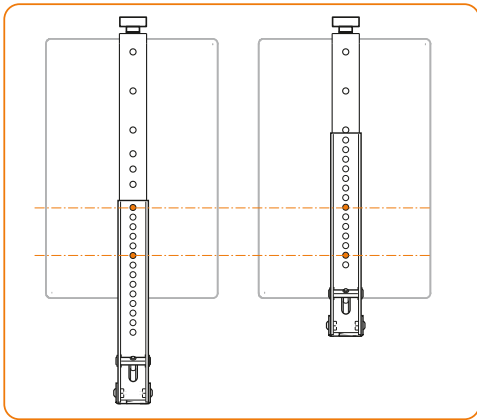
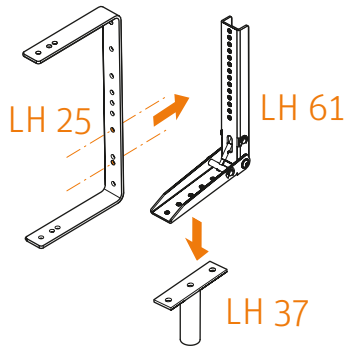


* 35 mm outside diameter pole sourced from third parties

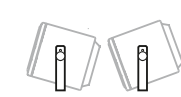
mm [inch]



MAIN



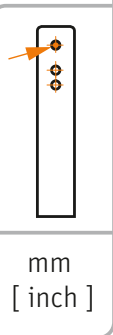
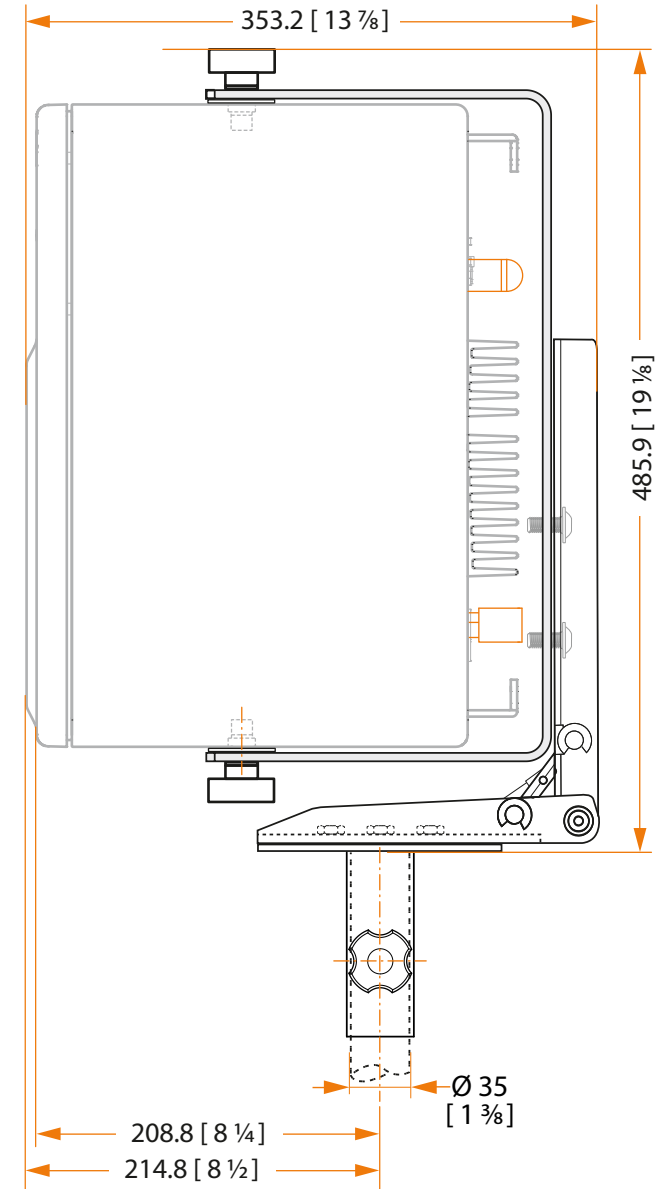
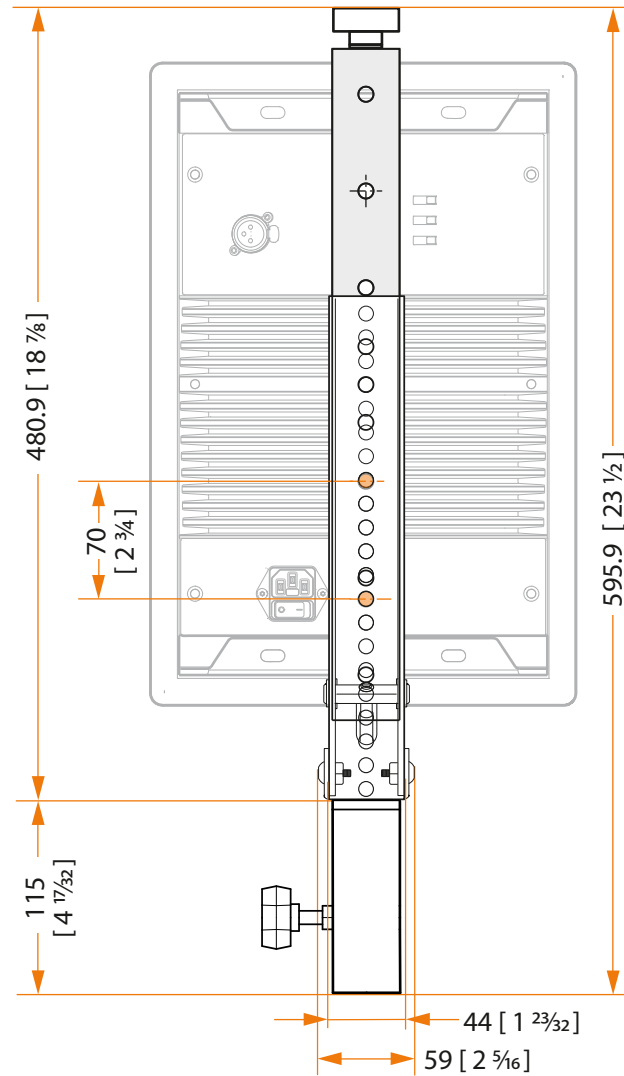
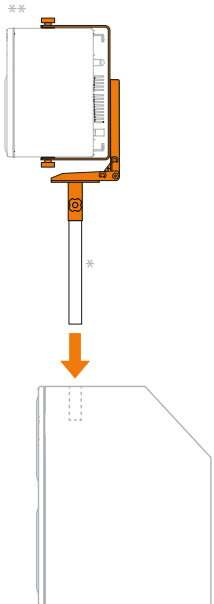
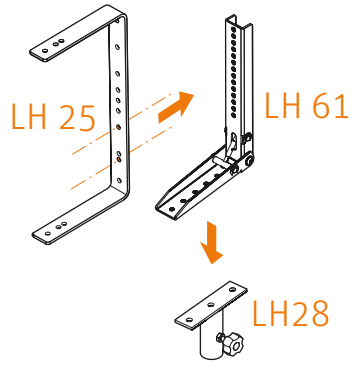
* While it is possible to mount the KH 310 vertically as shown here, Neumann recommends that you mount it horizontally whenever possible.



mm [inch]



MAIN

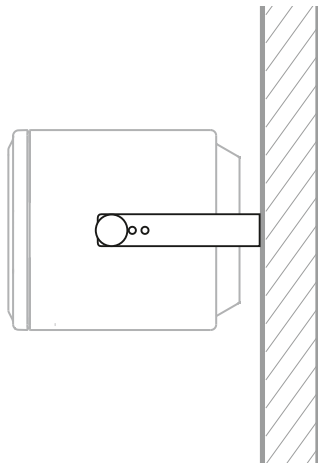


* 35 mm outside diameter pole sourced from third parties

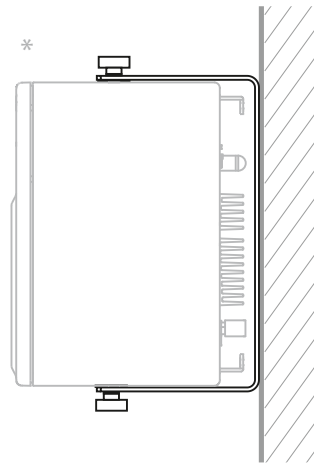
** While it is possible to mount the KH 310 vertically as shown here, Neumann recommends that you mount it horizontally whenever possible.



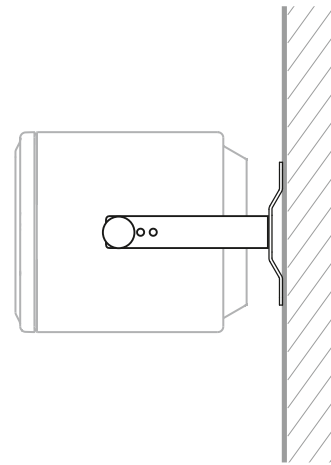
KH 310 | Mounting on a wall



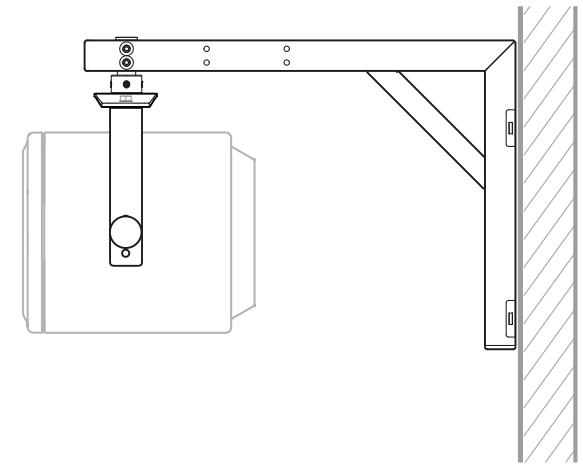
LH 25



LH 25



LH 25 + LH 43

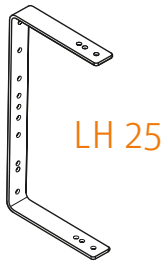


LH 25 + LH 47 + LH 45

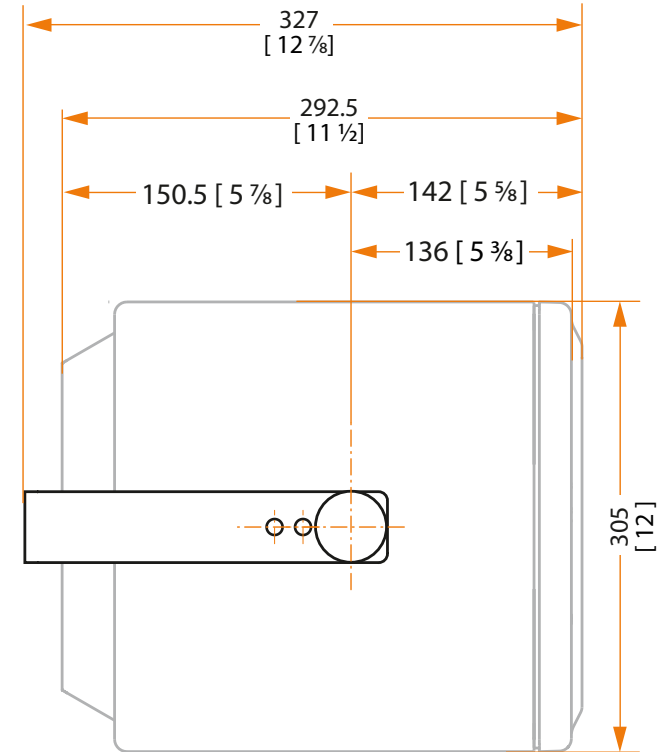
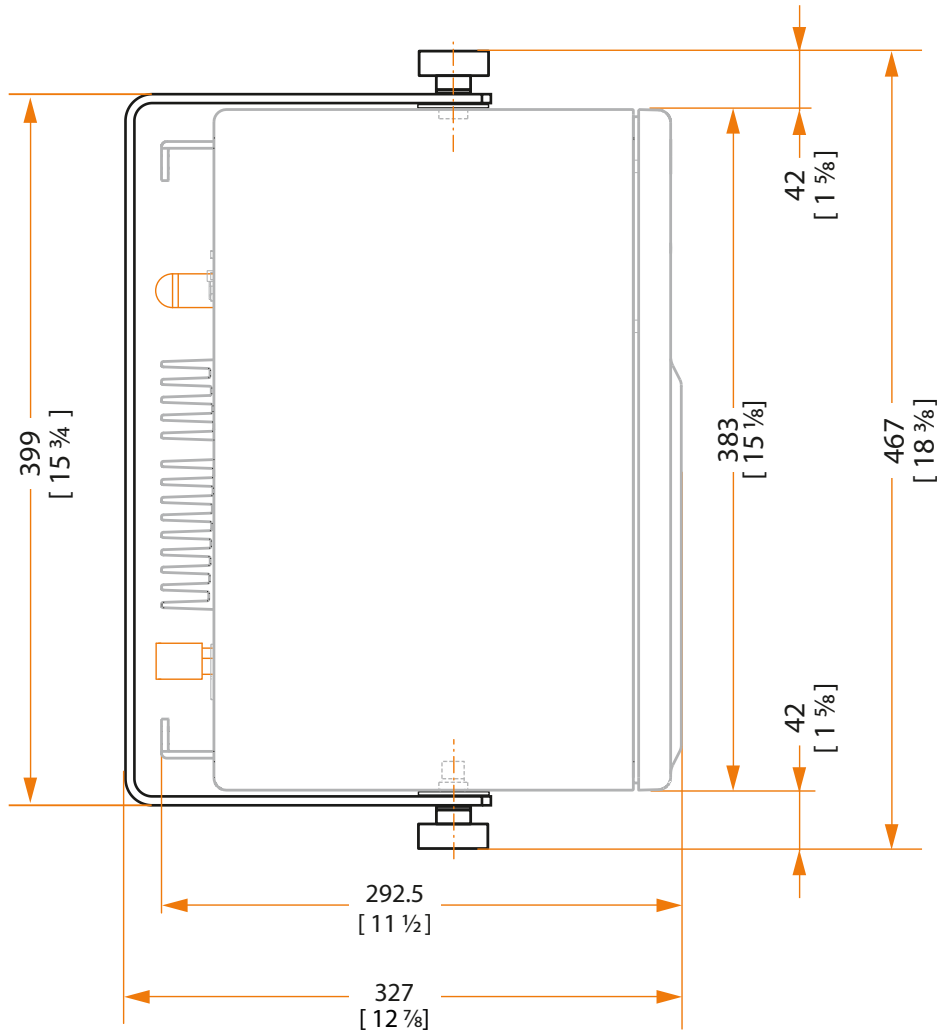
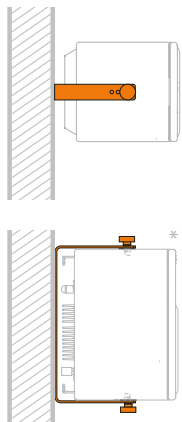
* While it is possible to mount the KH 310 vertically as shown here, Neumann recommends that you mount it horizontally whenever possible.



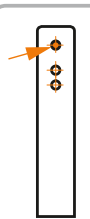
MAIN



LH 25



* While it is possible to mount the KH 310 vertically as shown here, Neumann recommends that you mount it horizontally whenever possible.



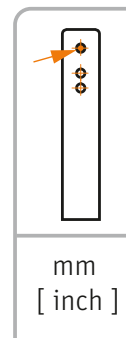
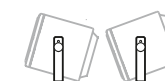
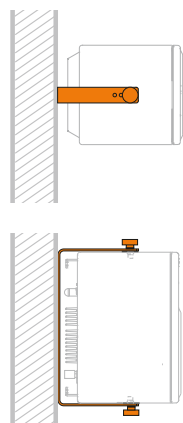
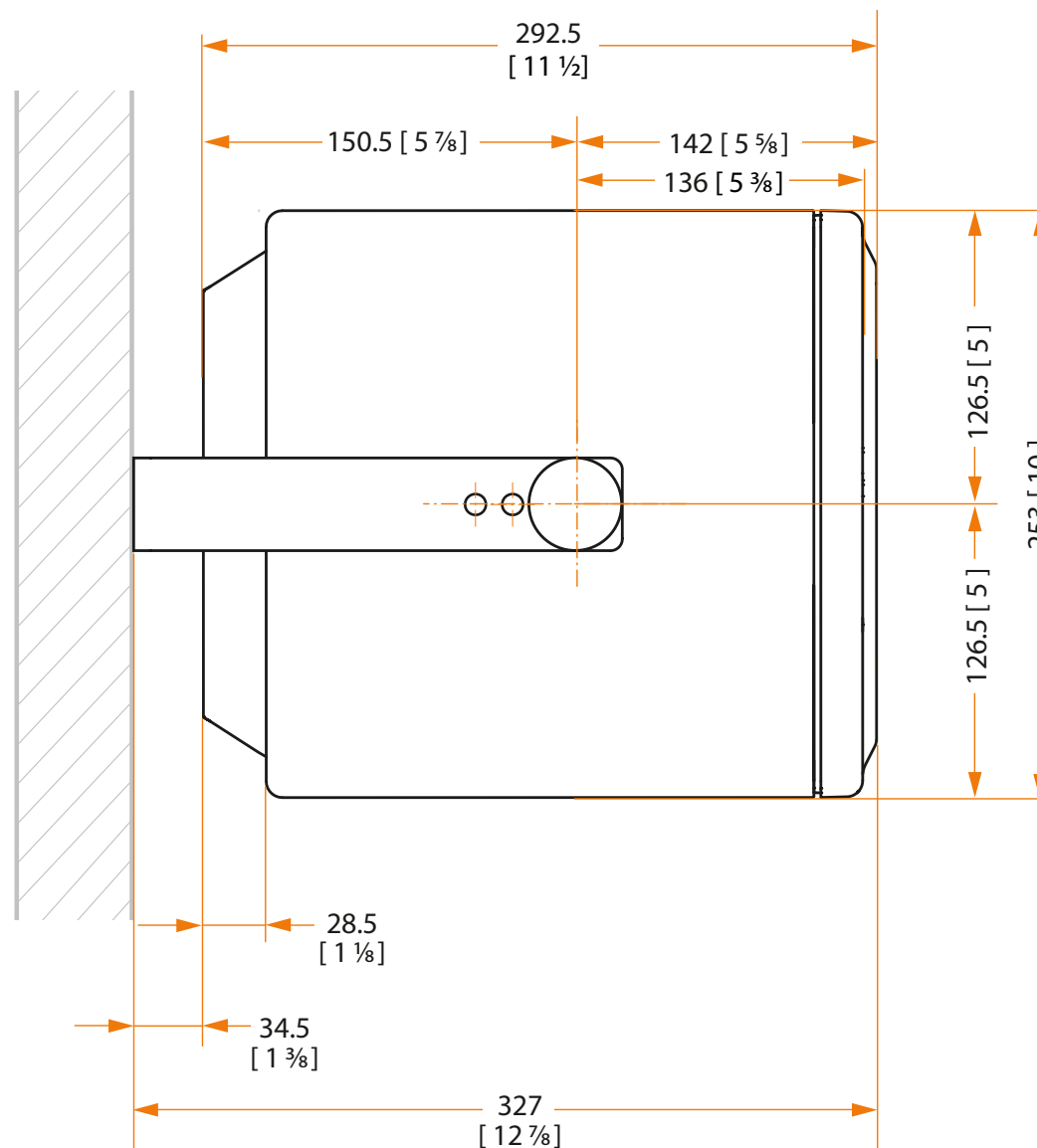
mm [inch]



MAIN



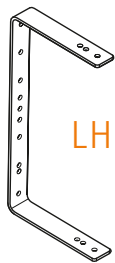
LH 25



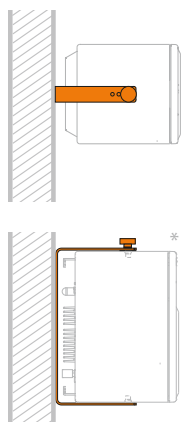
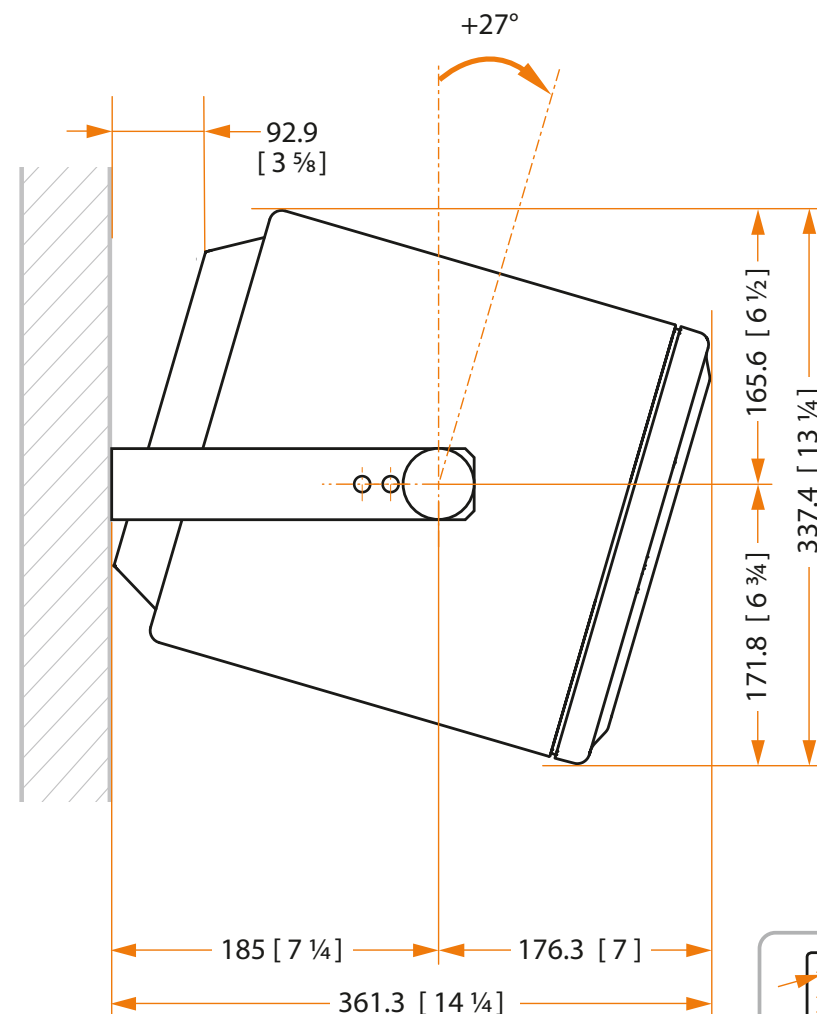
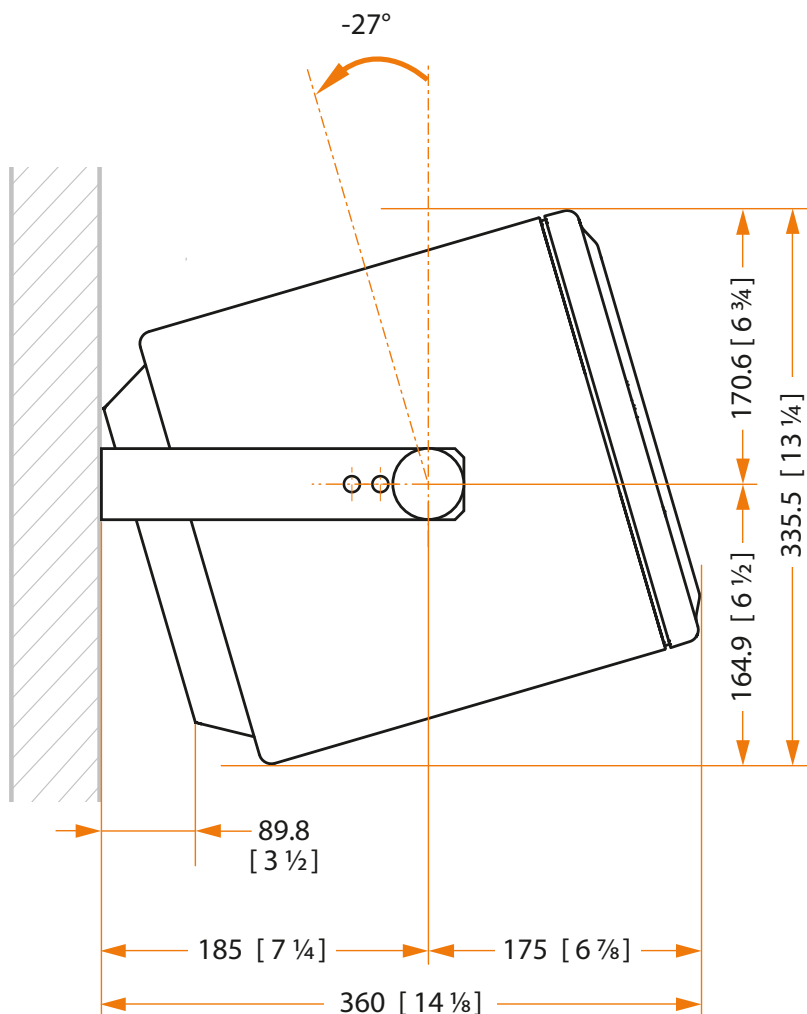
mm
[inch]



MAIN



LH 25



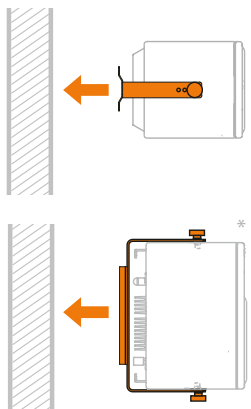
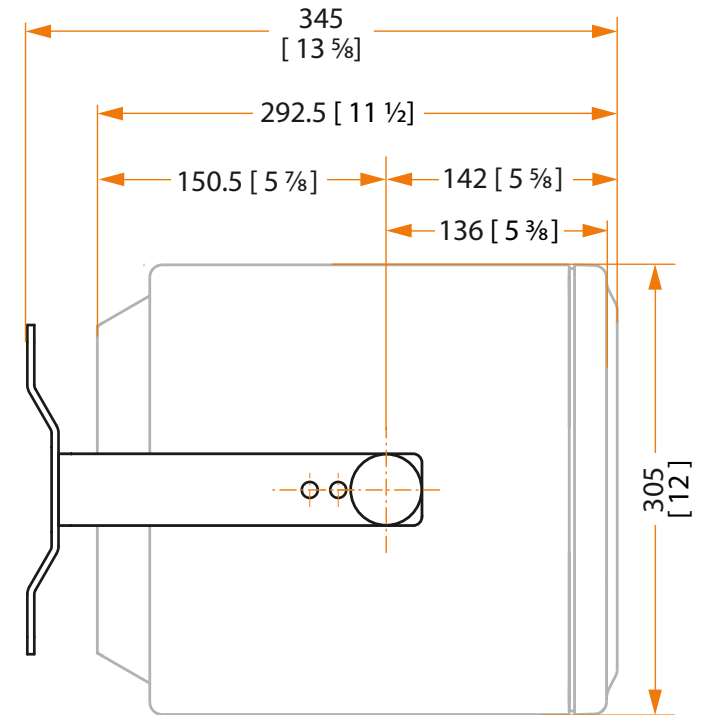
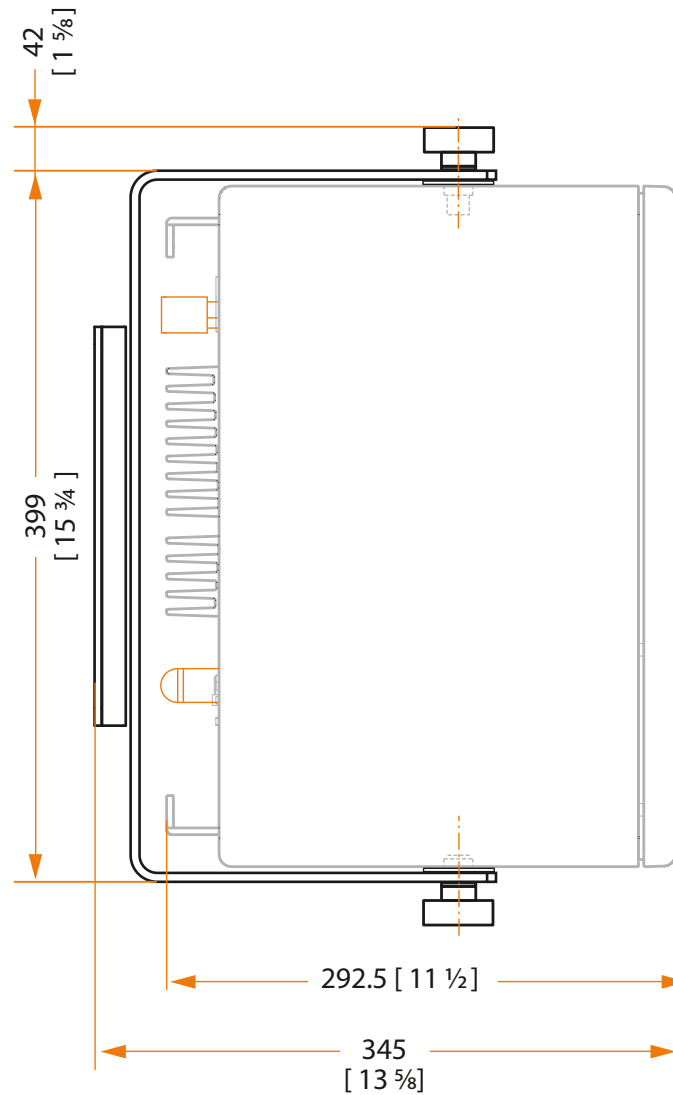
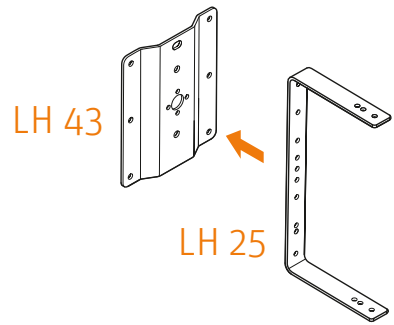
* While it is possible to mount the KH 310 vertically as shown here, Neumann recommends that you mount it horizontally whenever possible.



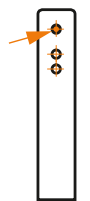
mm [inch]



MAIN



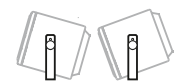
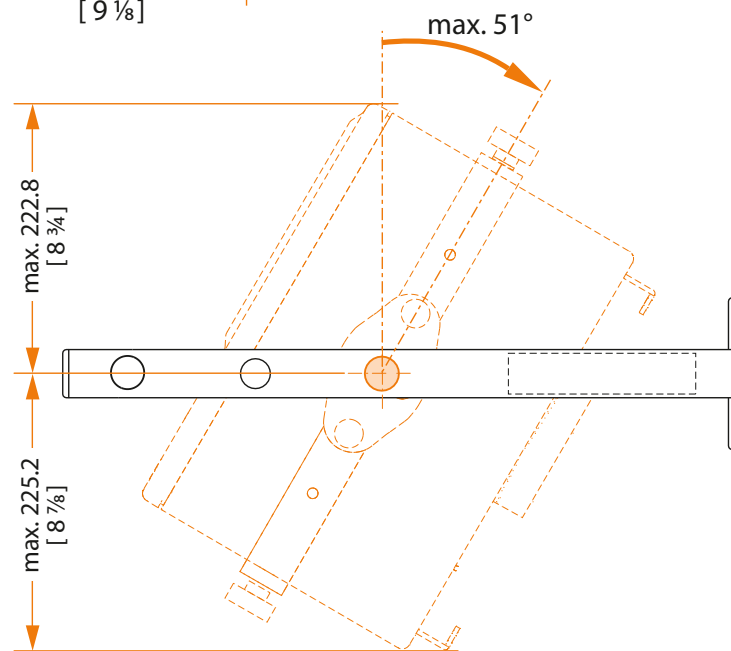
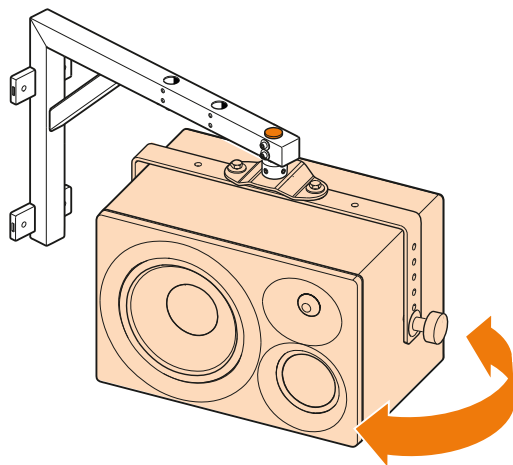
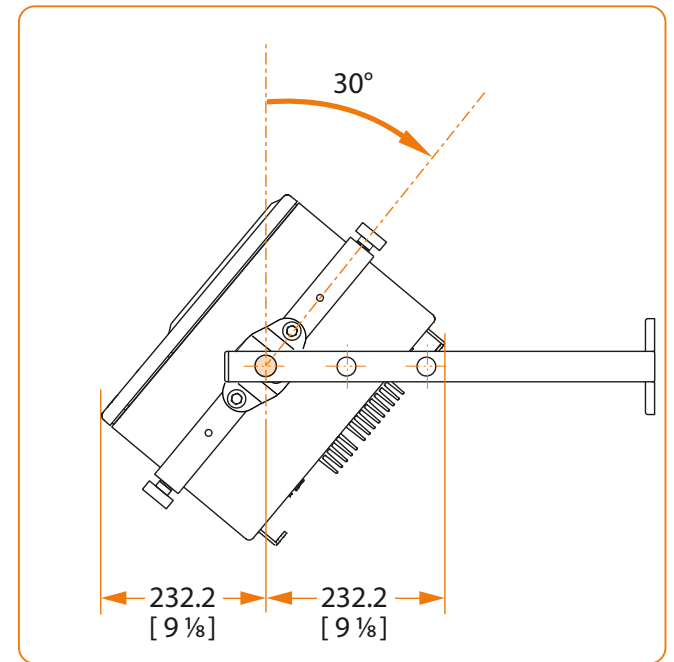
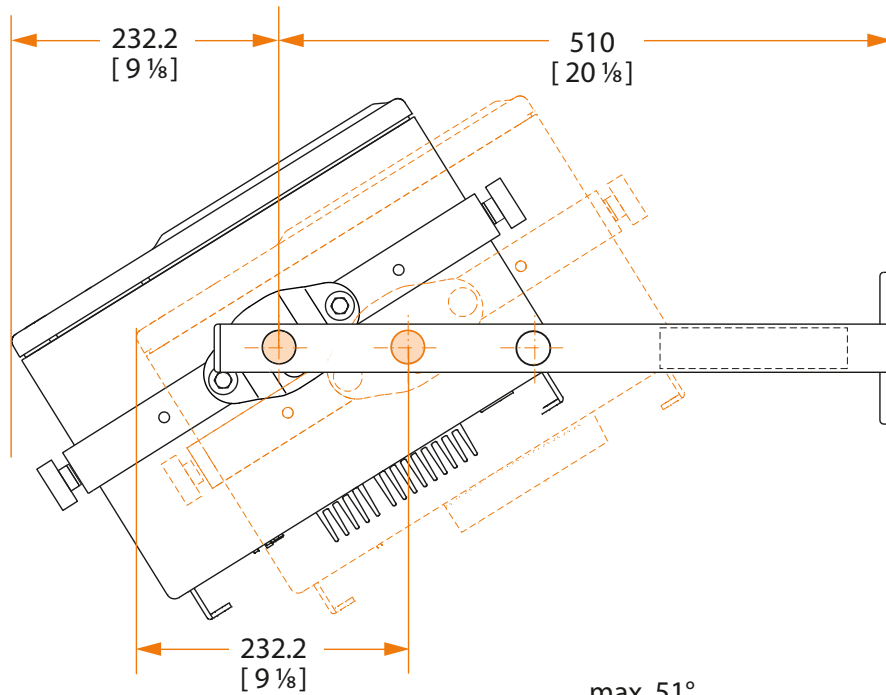
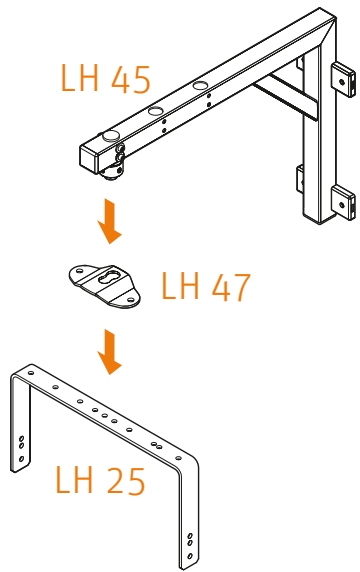
* While it is possible to mount the KH 310 vertically as shown here, Neumann recommends that you mount it horizontally whenever possible.



mm
[inch]



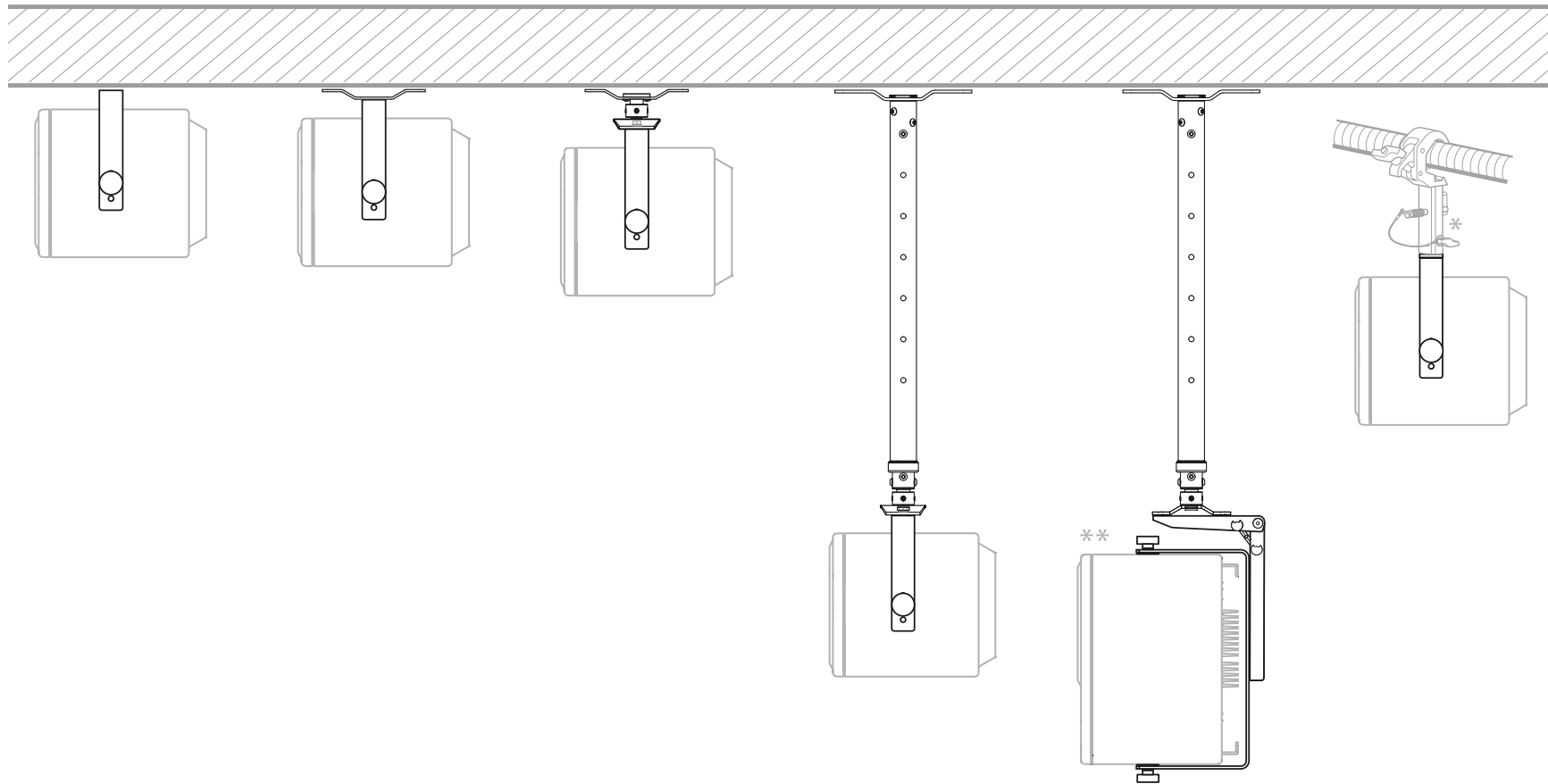
MAIN



mm [inch]



KH 310 | Mounting below a surface (ceiling, etc.), Mounting off a lighting or truss bar



LH 25

LH 25 + LH 43

LH 25 + LH 47
+ LH 43

LH 25 + LH 47
+ LH 46

LH 25 + LH 61
+ LH 47 + LH 46

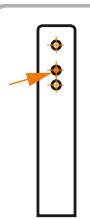
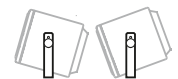
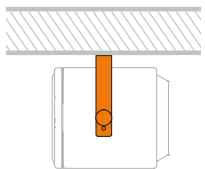
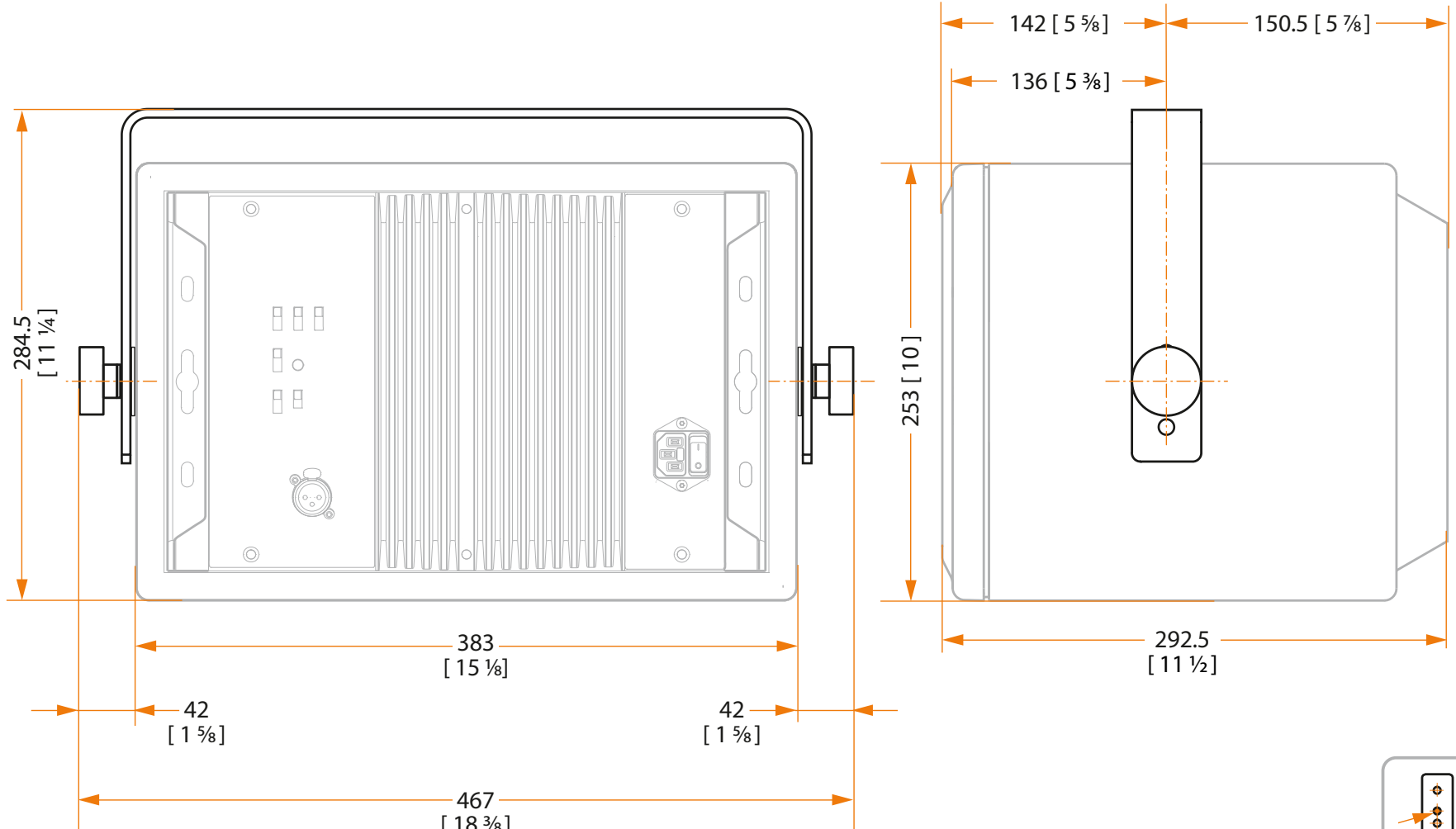
LH 25 + LH 29 +
G-CLAMP

** While it is possible to mount the KH 310 vertically as shown here, Neumann recommends that you mount it horizontally whenever possible.

* Sourced from 3rd parties



MAIN

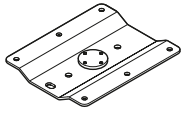


mm
[inch]



MAIN

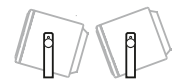
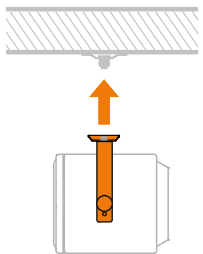
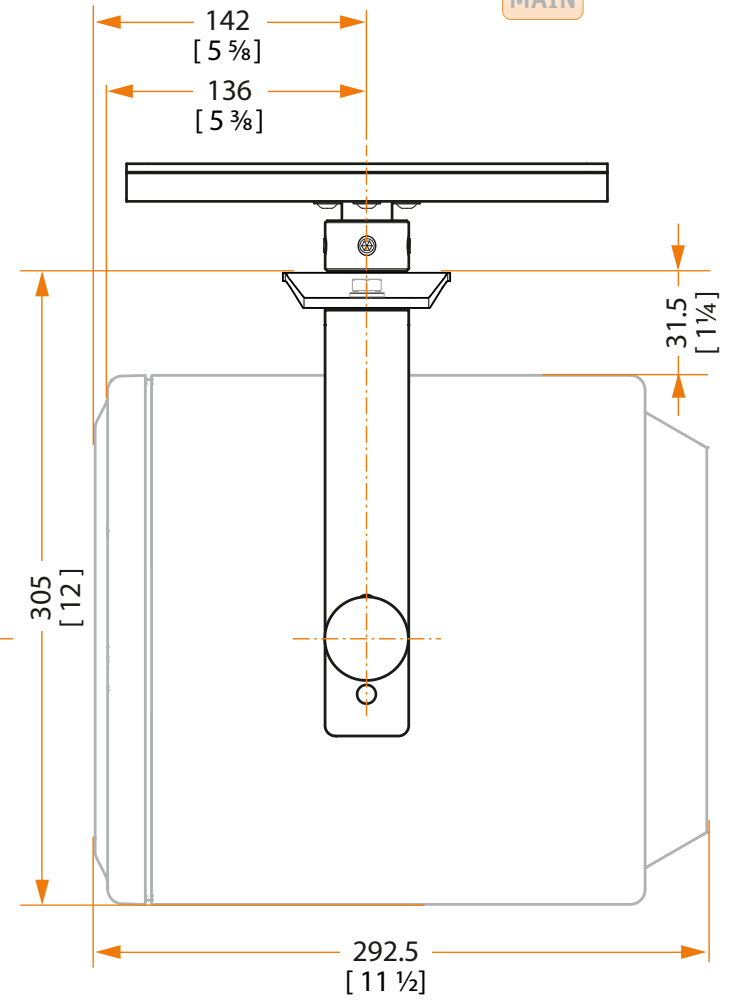
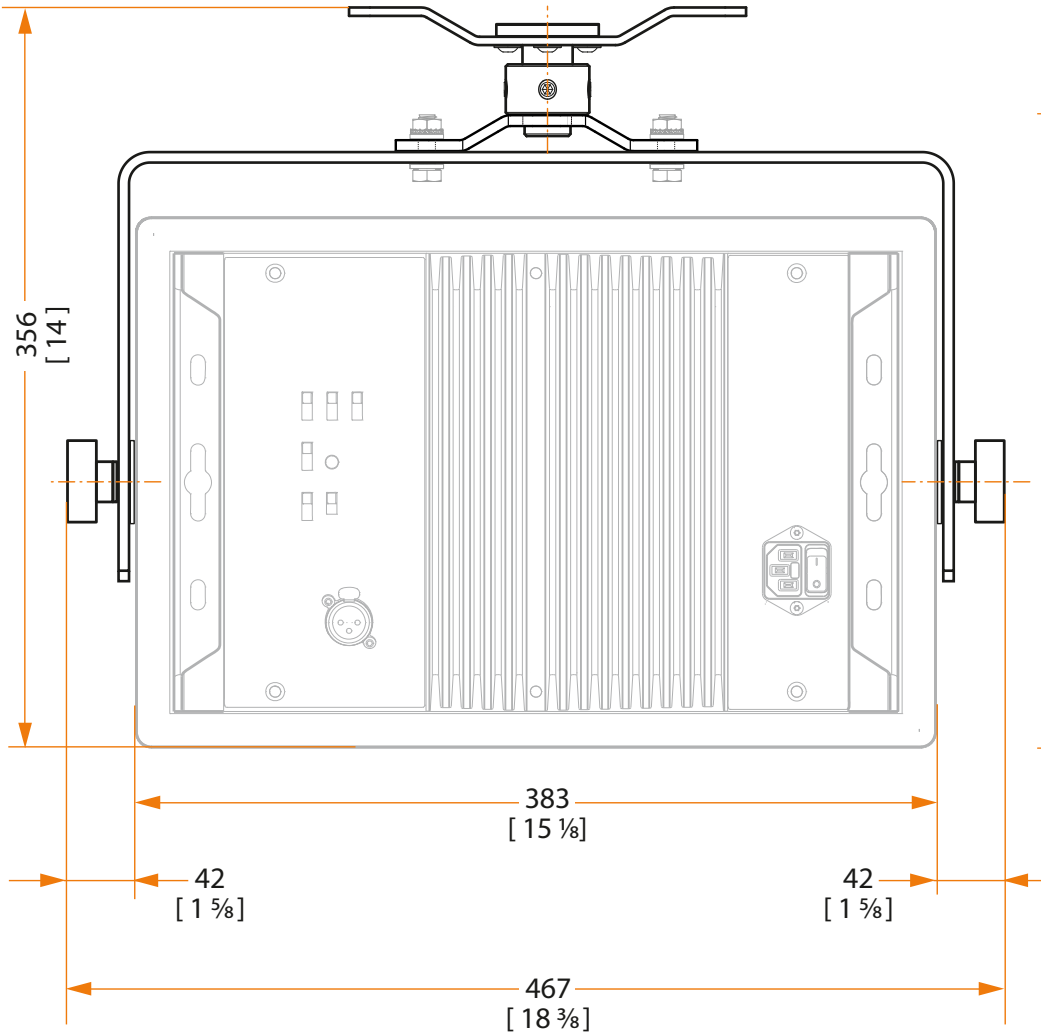
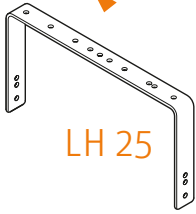
LH 43



LH 47



LH 25

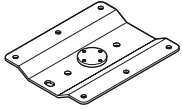


mm [inch]

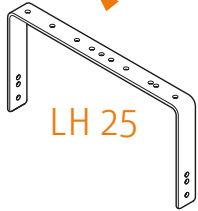


MAIN

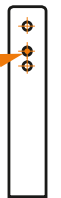
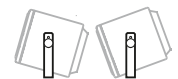
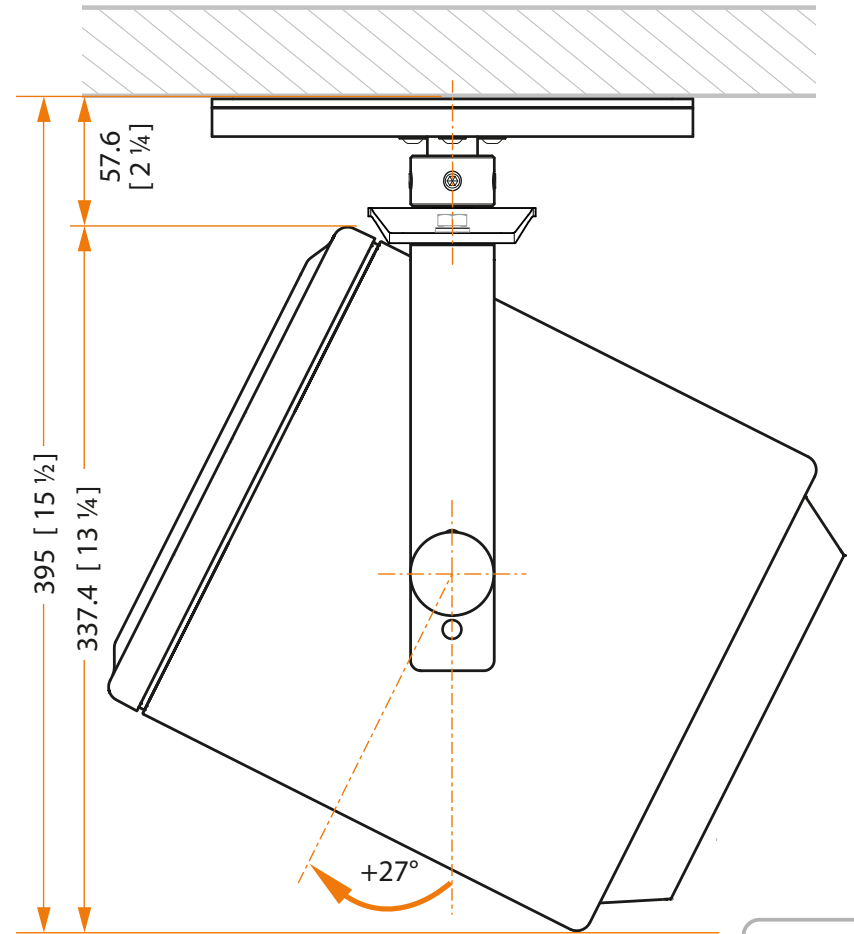
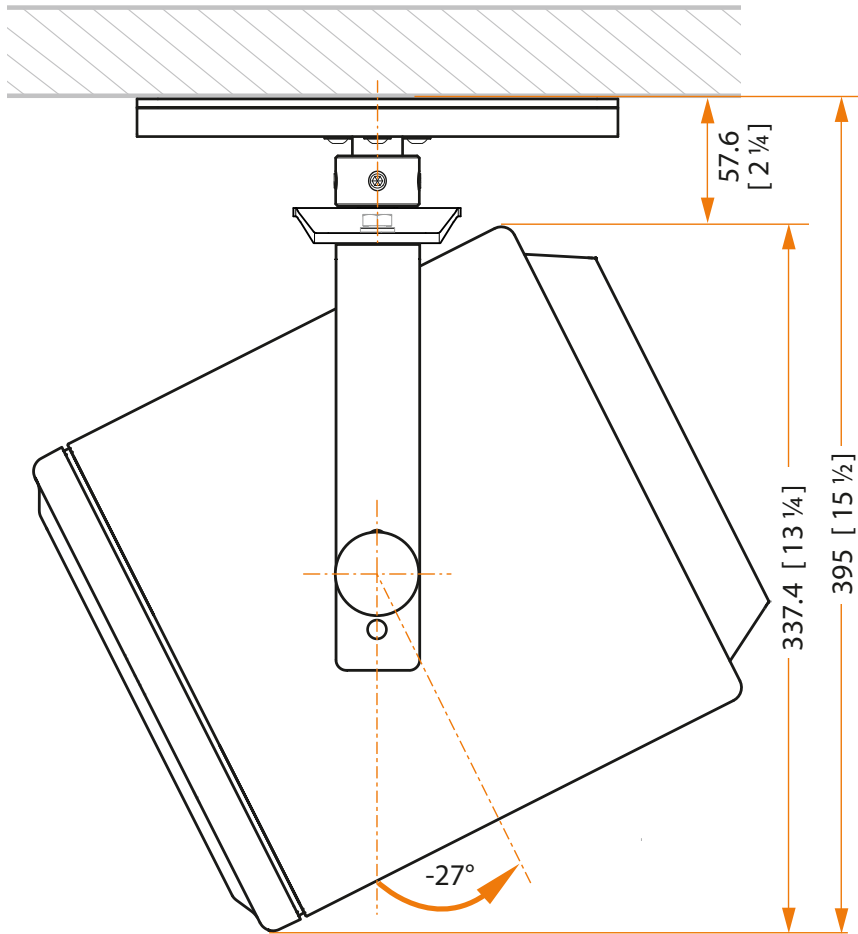
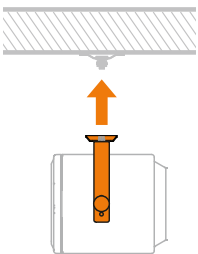
LH 43



LH 47



LH 25

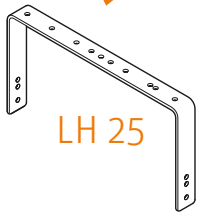
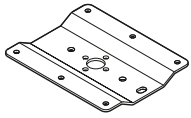


mm
[inch]

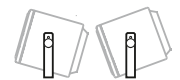
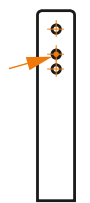
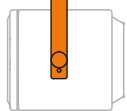
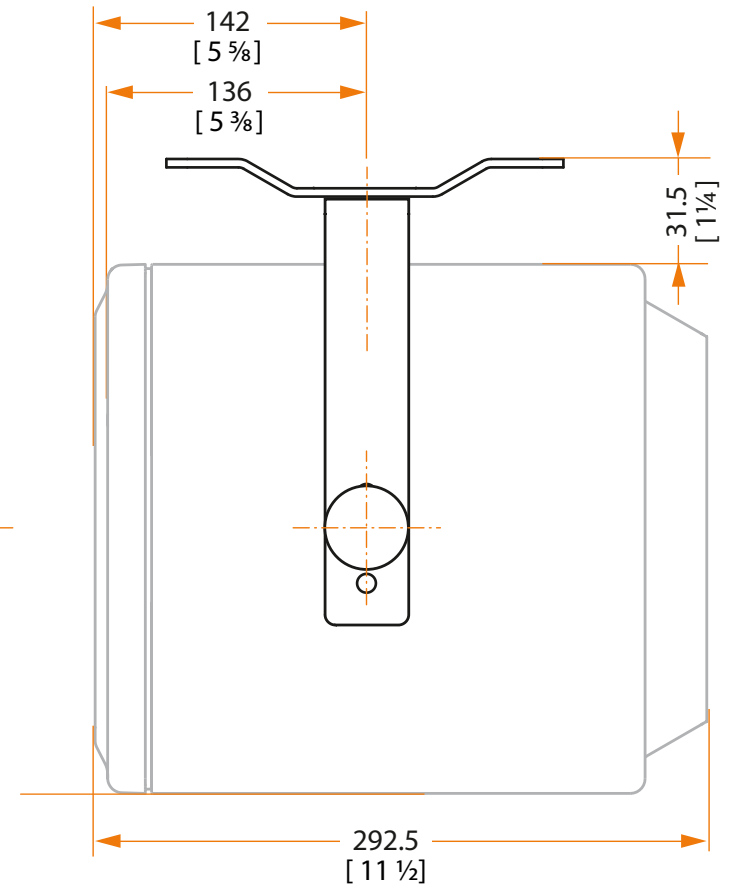
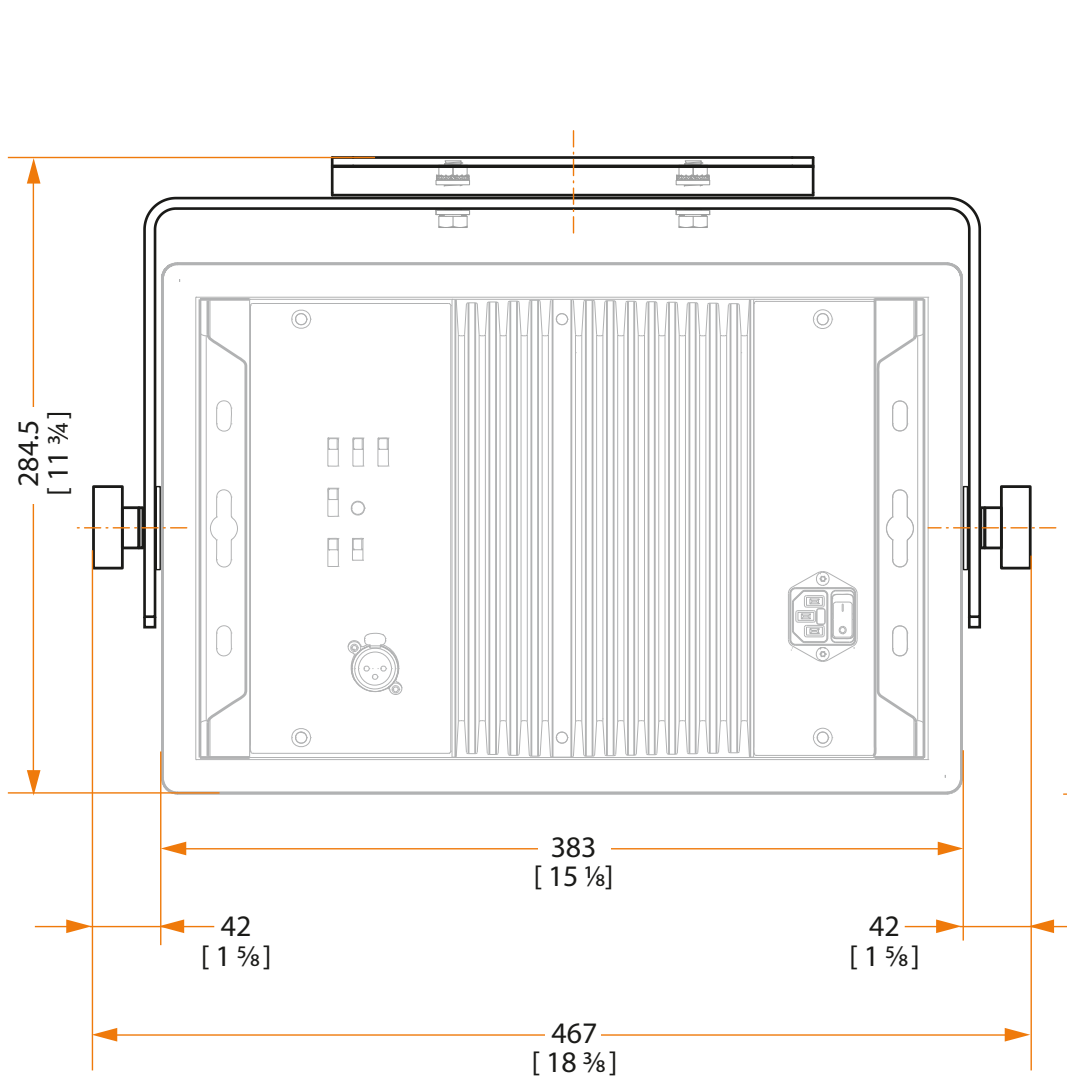


MAIN

LH 43



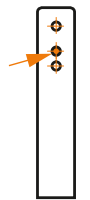
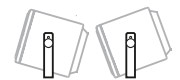
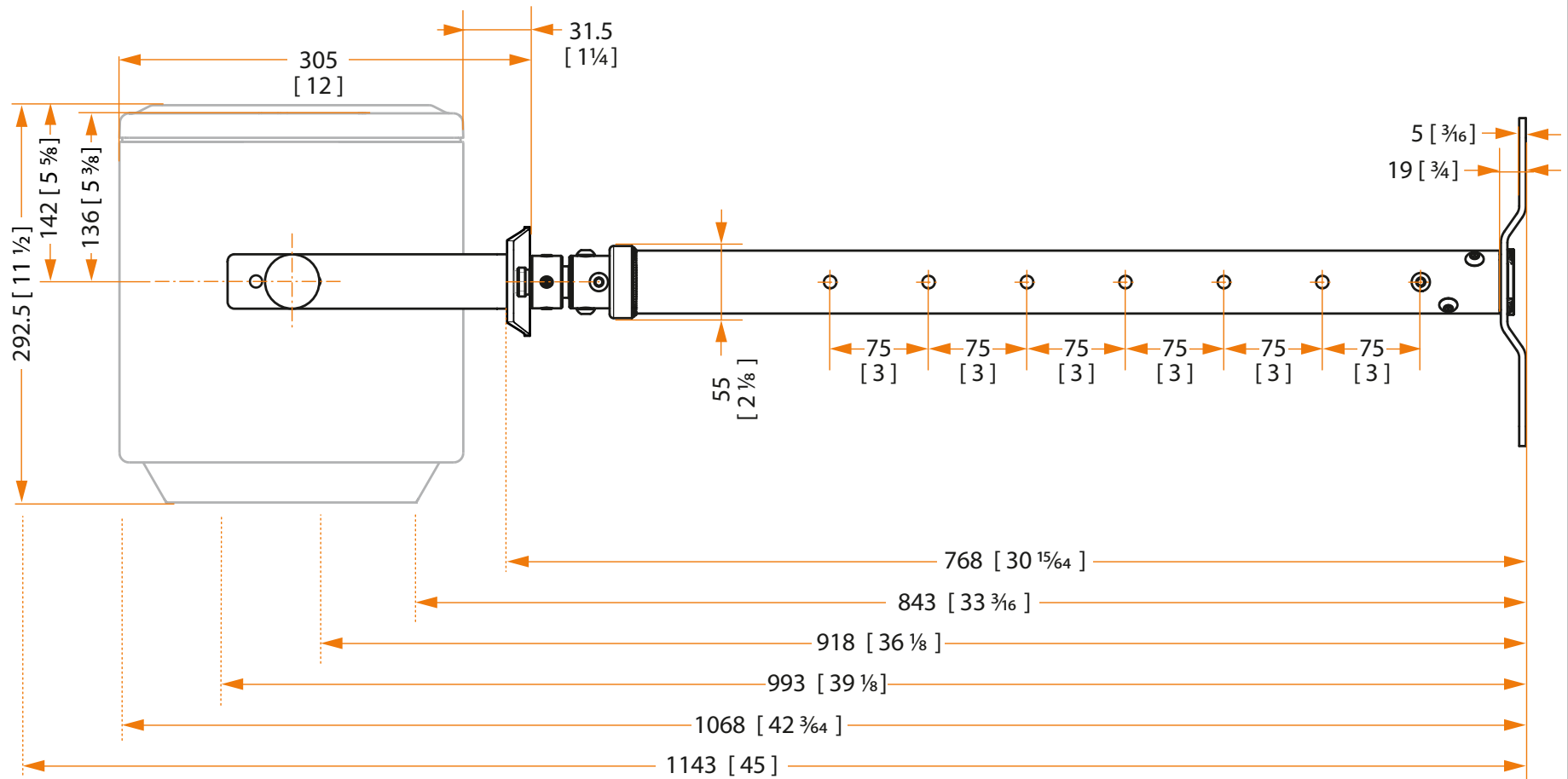
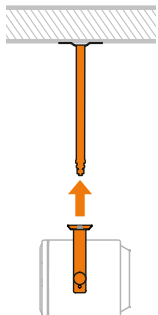
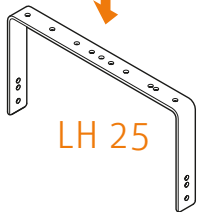
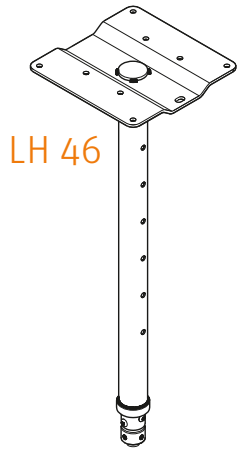
LH 25



mm [inch]



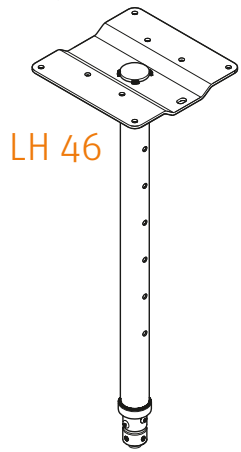
MAIN



mm [inch]



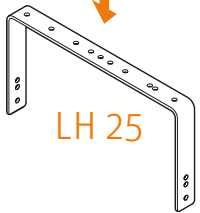
MAIN



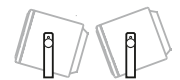
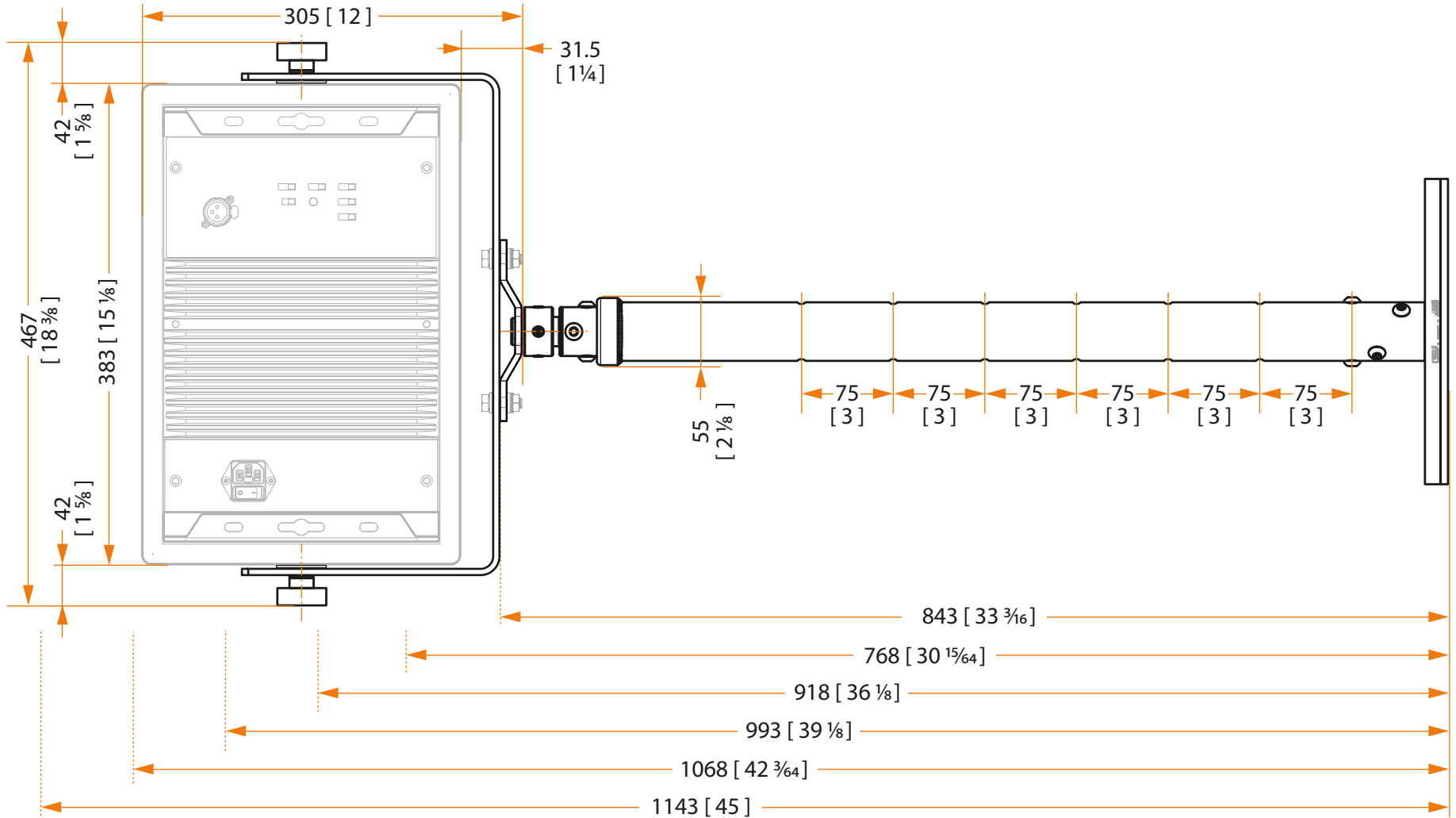
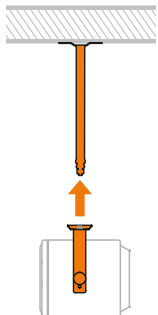
LH 46



LH 47



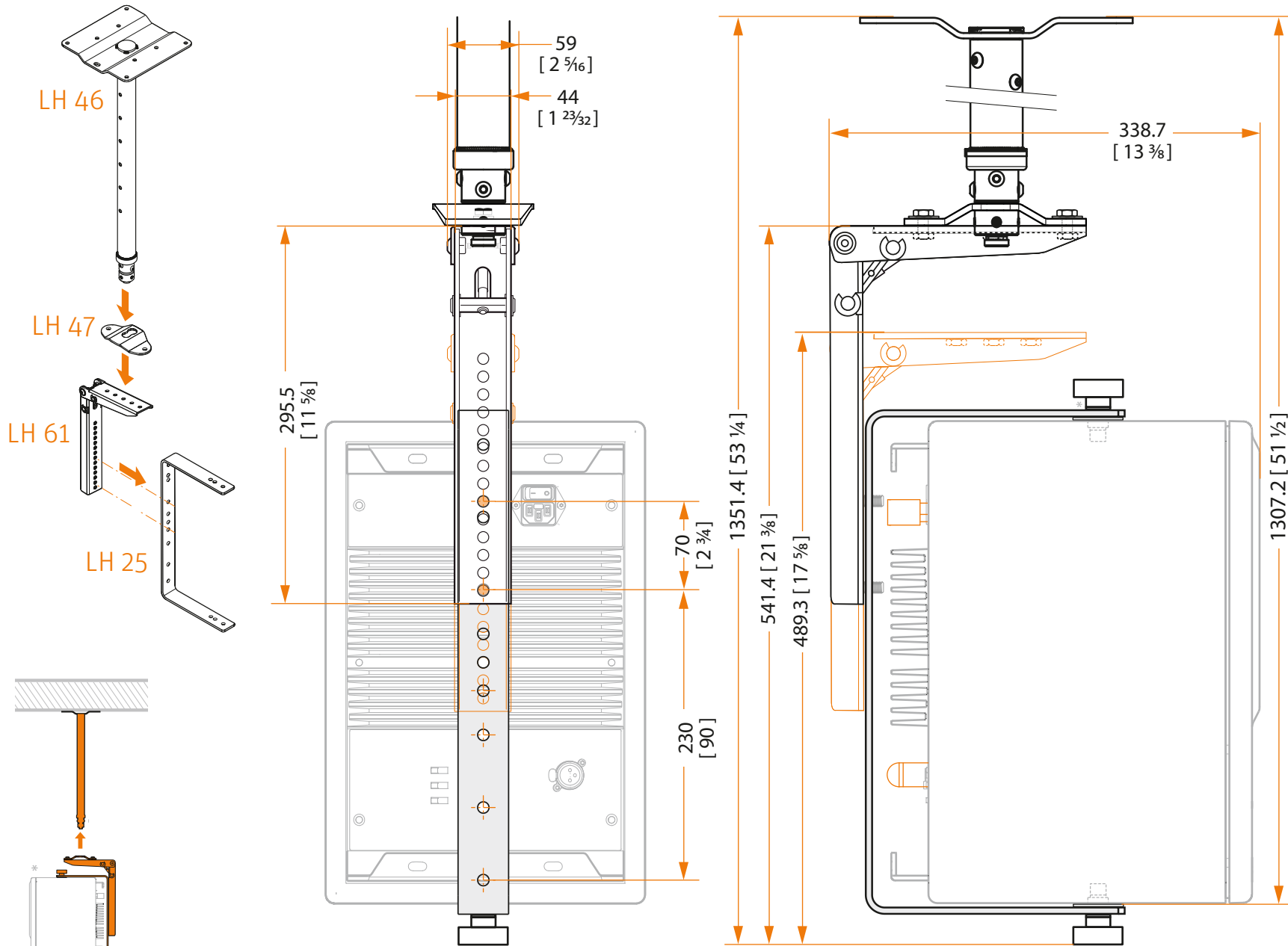
LH 25



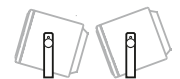
mm [inch]



MAIN



* While it is possible to mount the KH 310 vertically as shown here, Neumann recommends that you mount it horizontally whenever possible.



mm [inch]

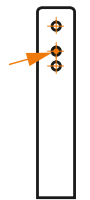
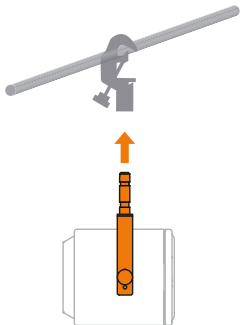
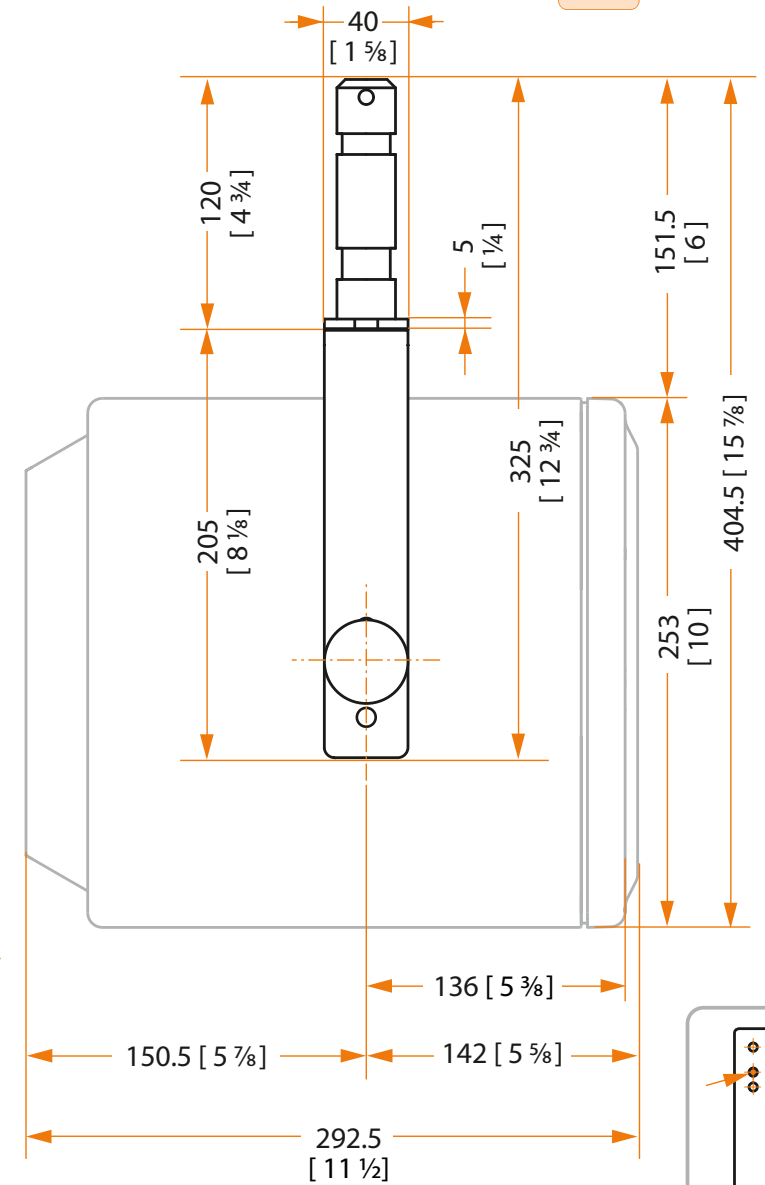
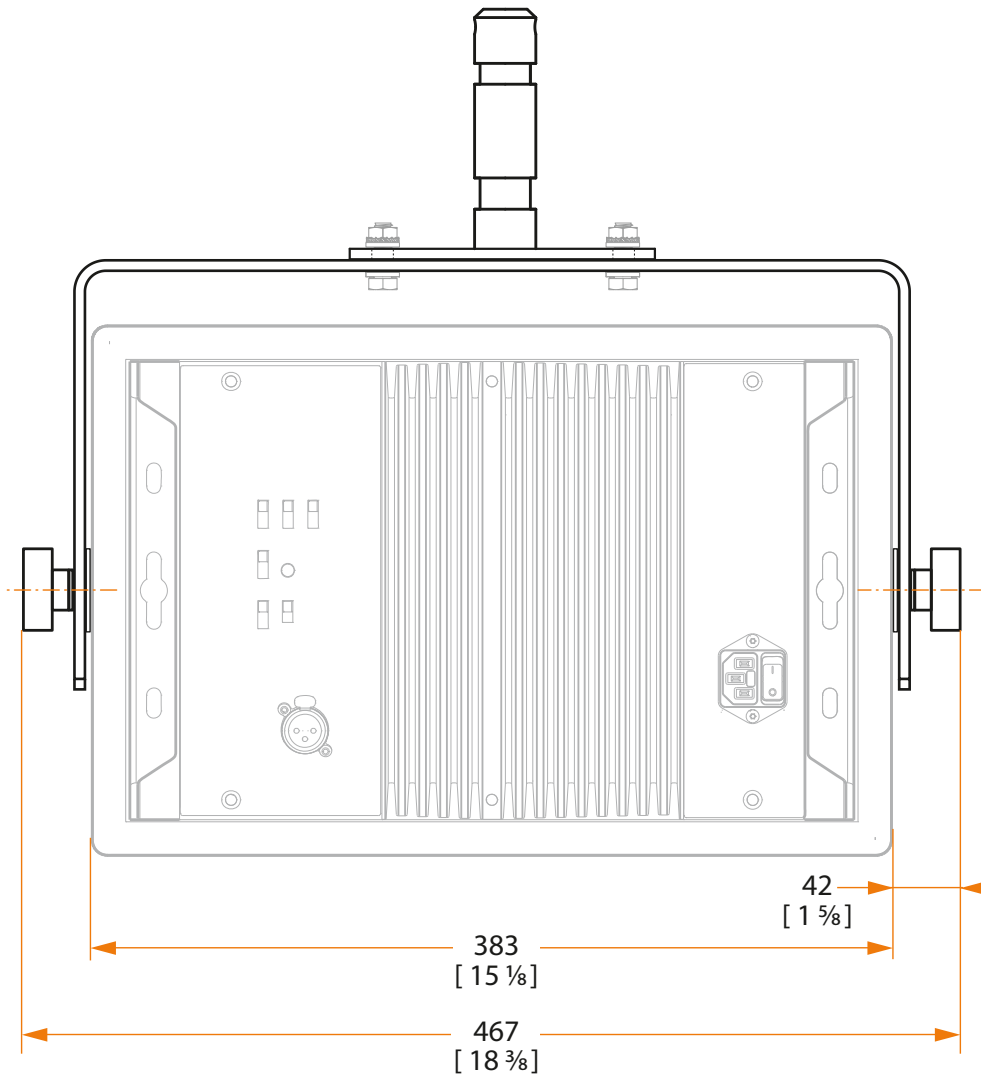


MAIN

LH 29



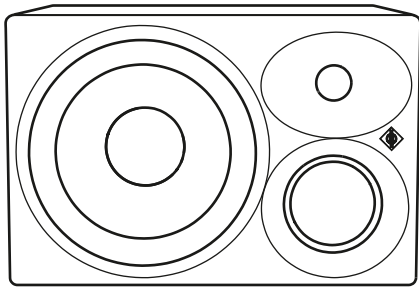
LH25



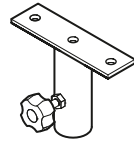
mm [inch]



KH 310 | Construction drawings / mounting hardware



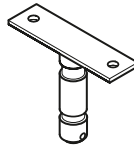
KH 310 | 1-2



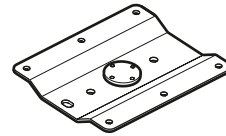
LH 28



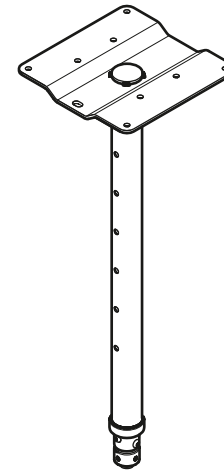
LH 47



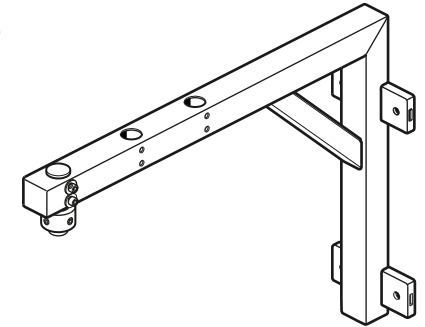
LH 29



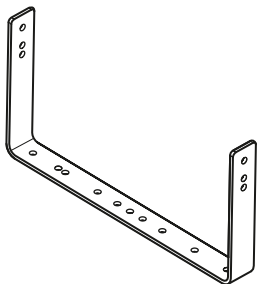
LH 43



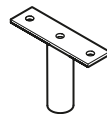
LH 46



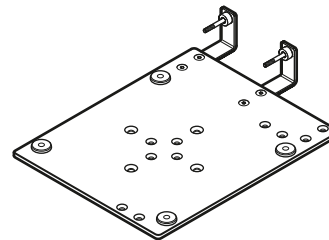
LH 45



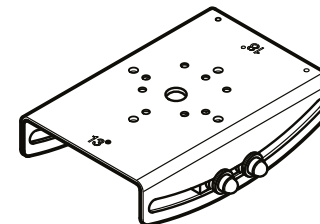
LH 25 | 1-7



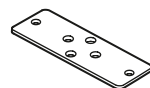
LH 37



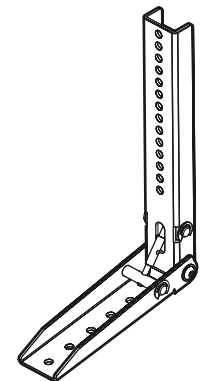
LH 41



LH 36



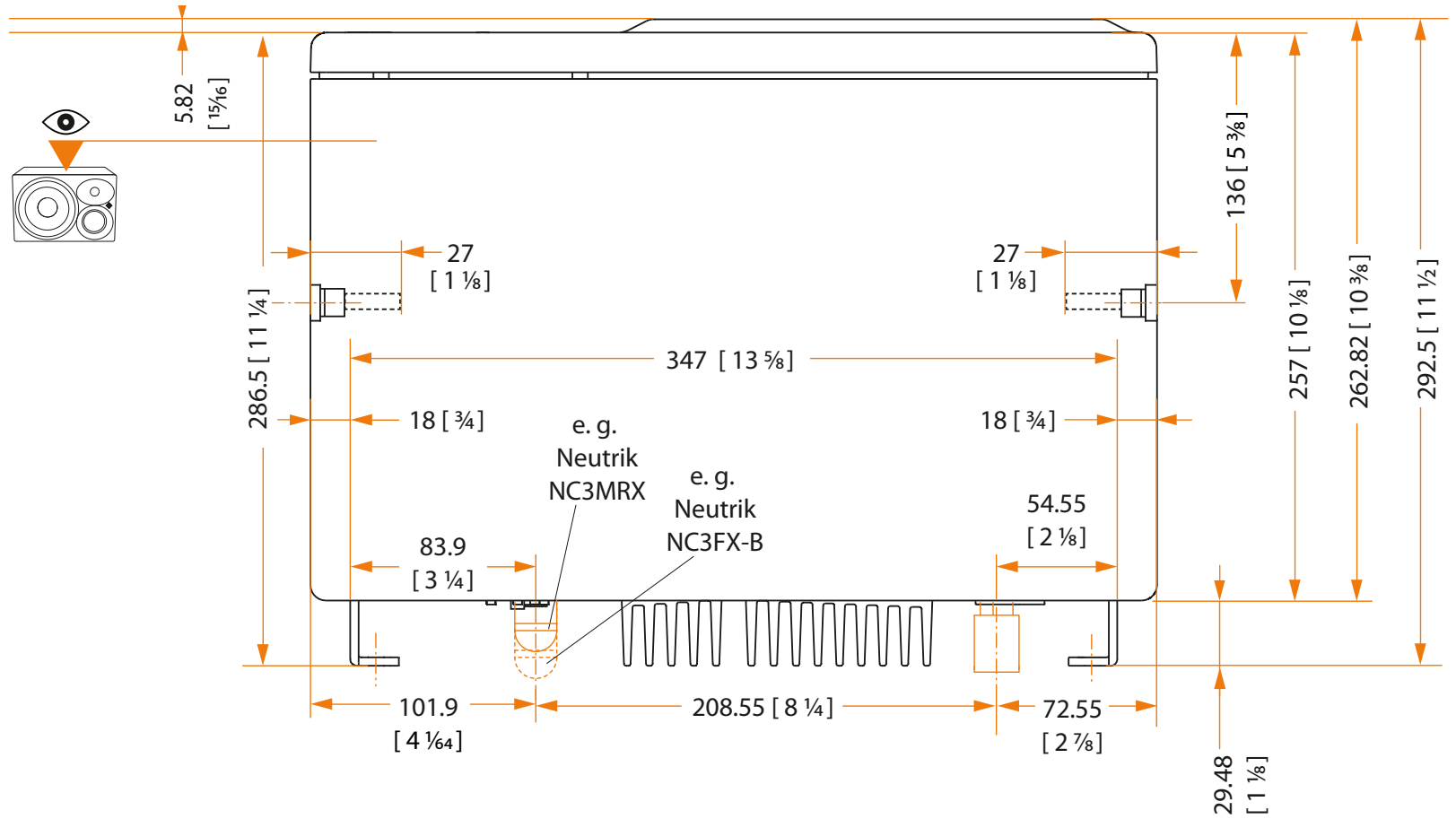
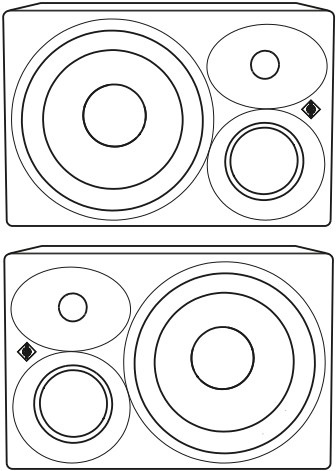
LH 48



LH 61

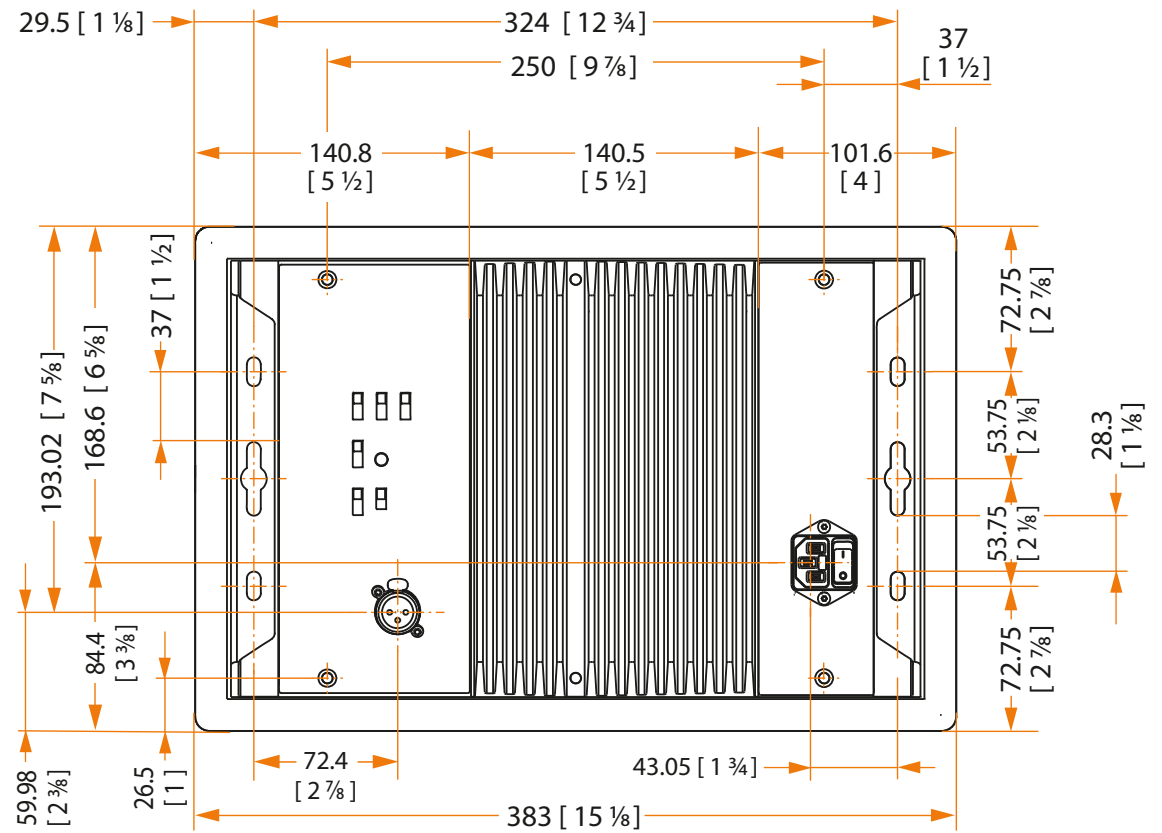
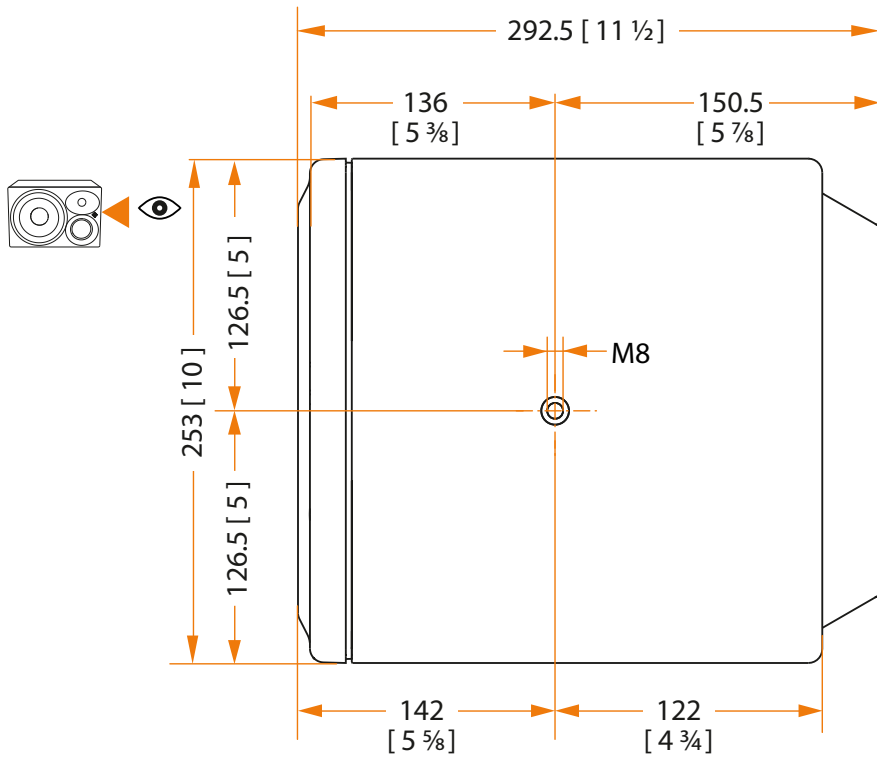


MAIN



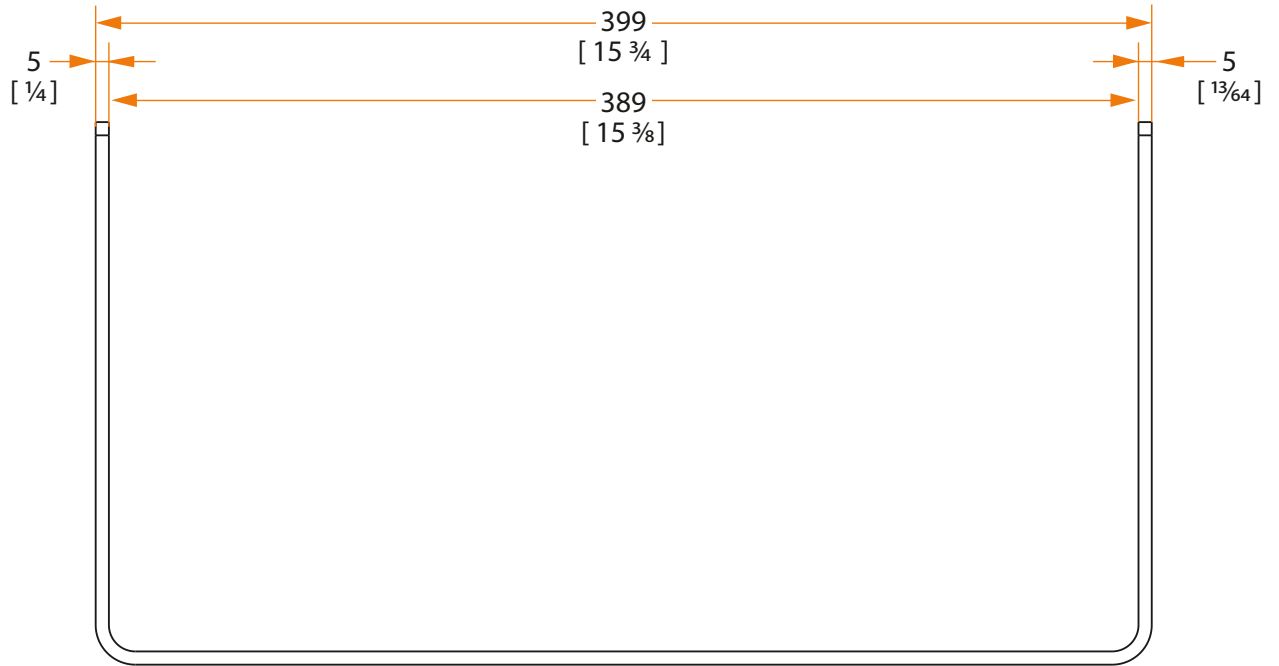
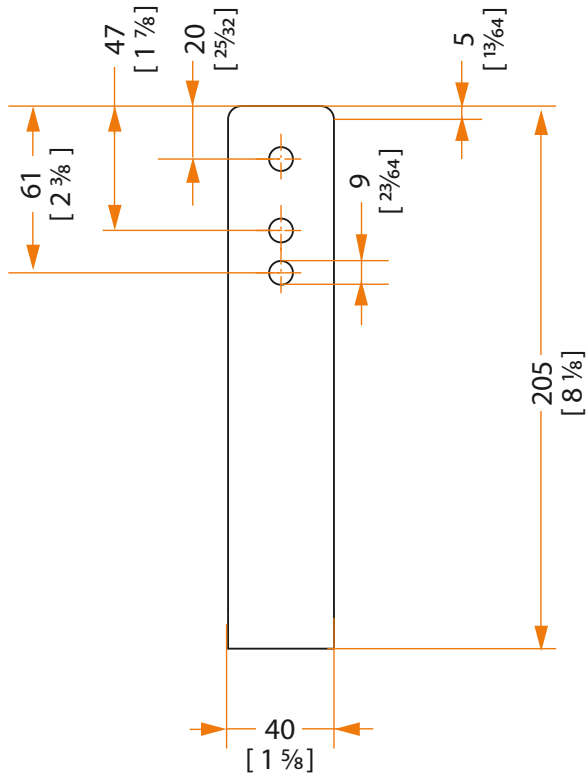
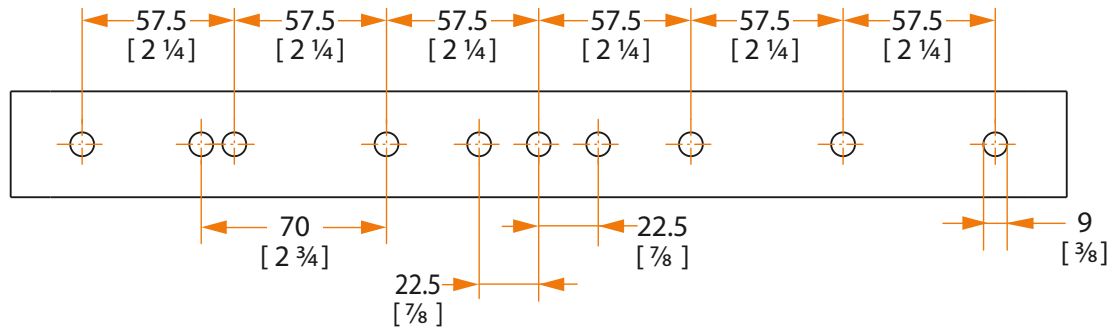
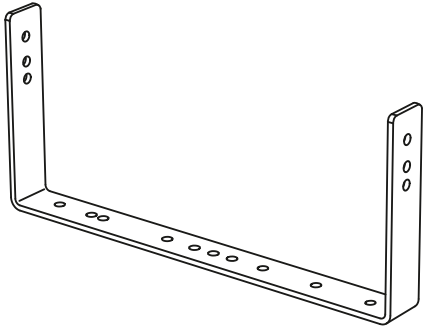


MAIN





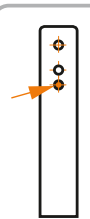
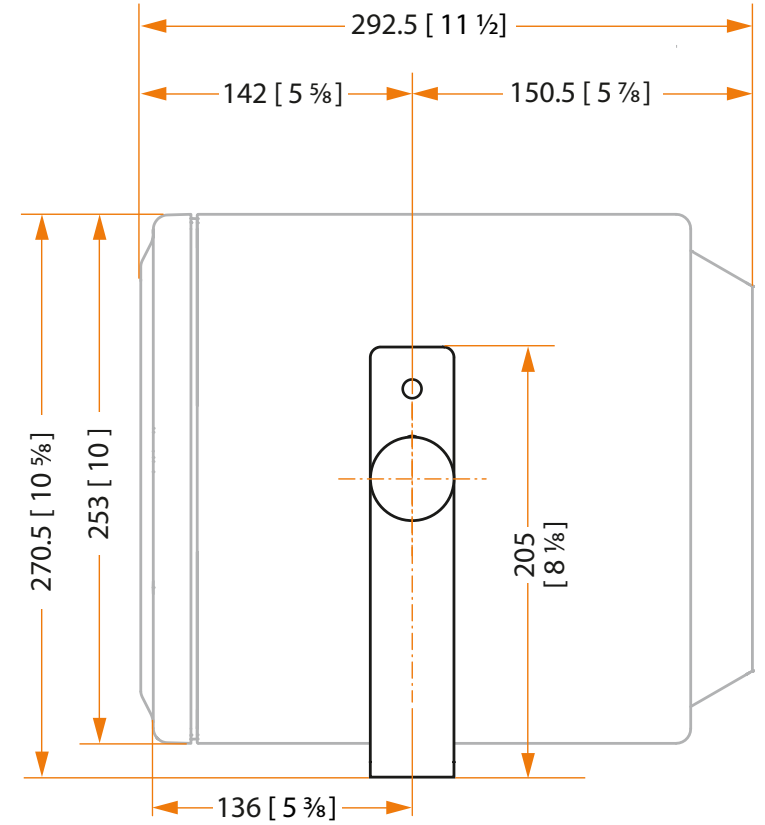
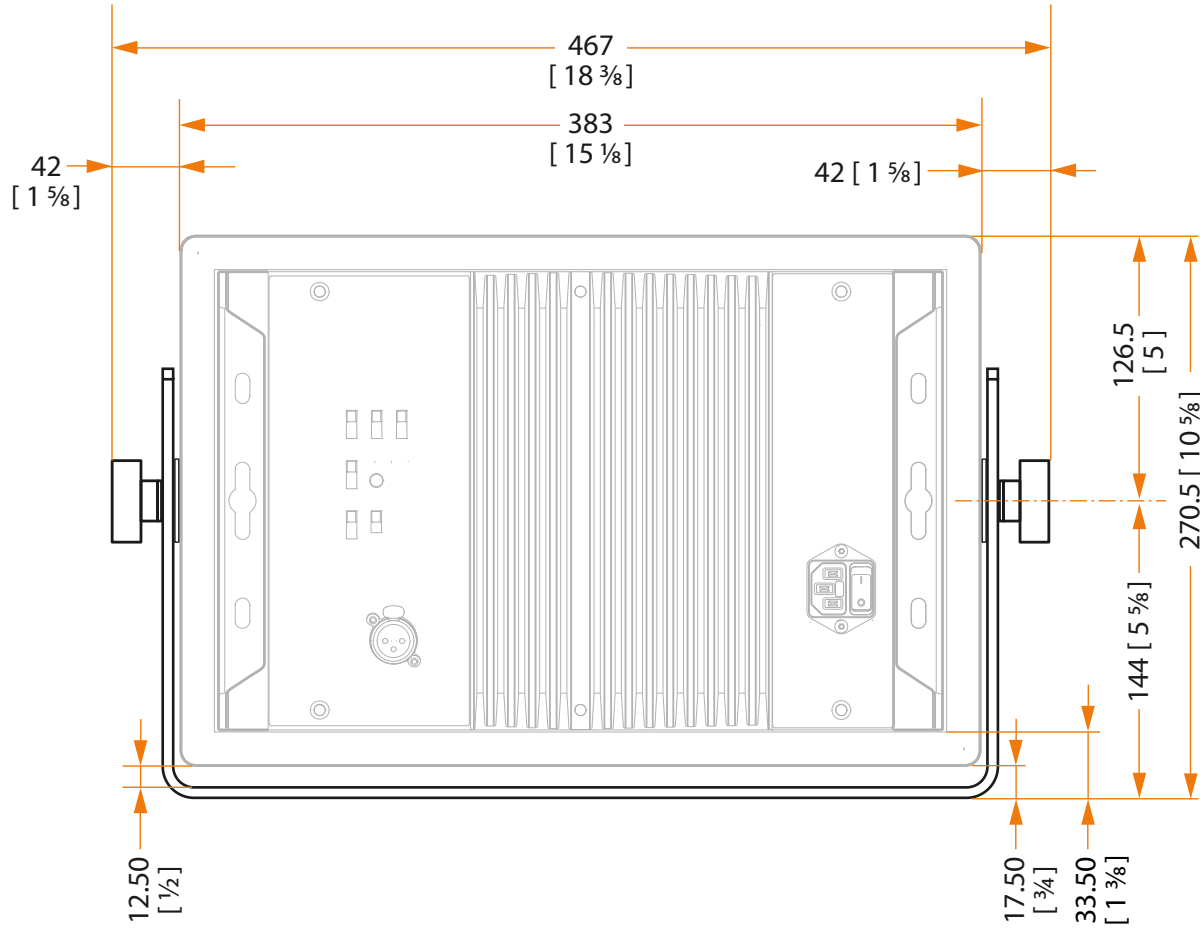
MAIN





LH 25 bottom position

MAIN

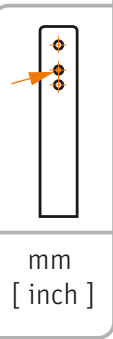
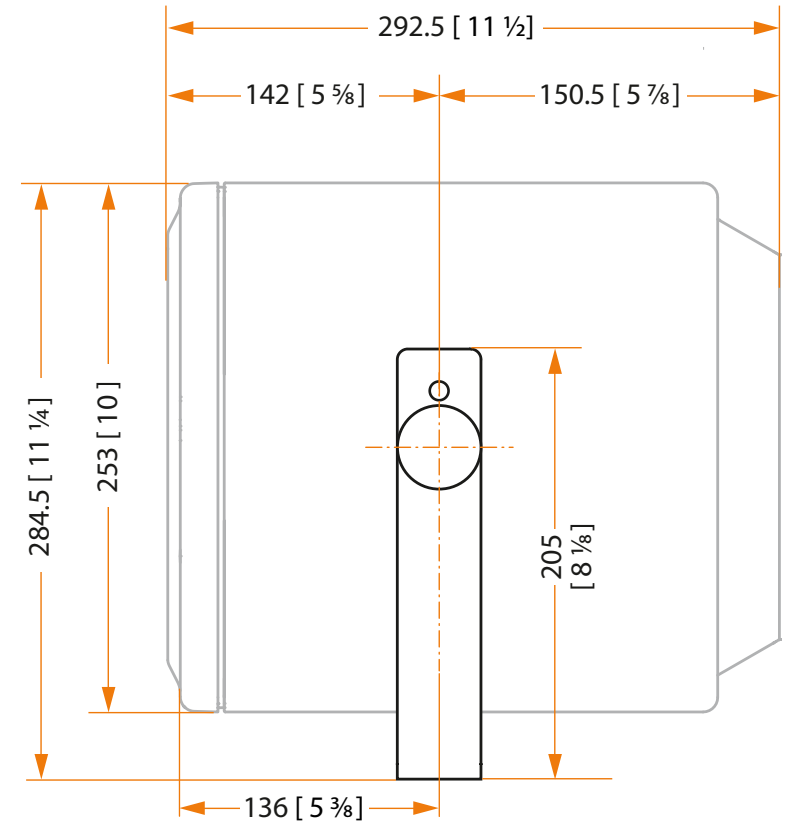
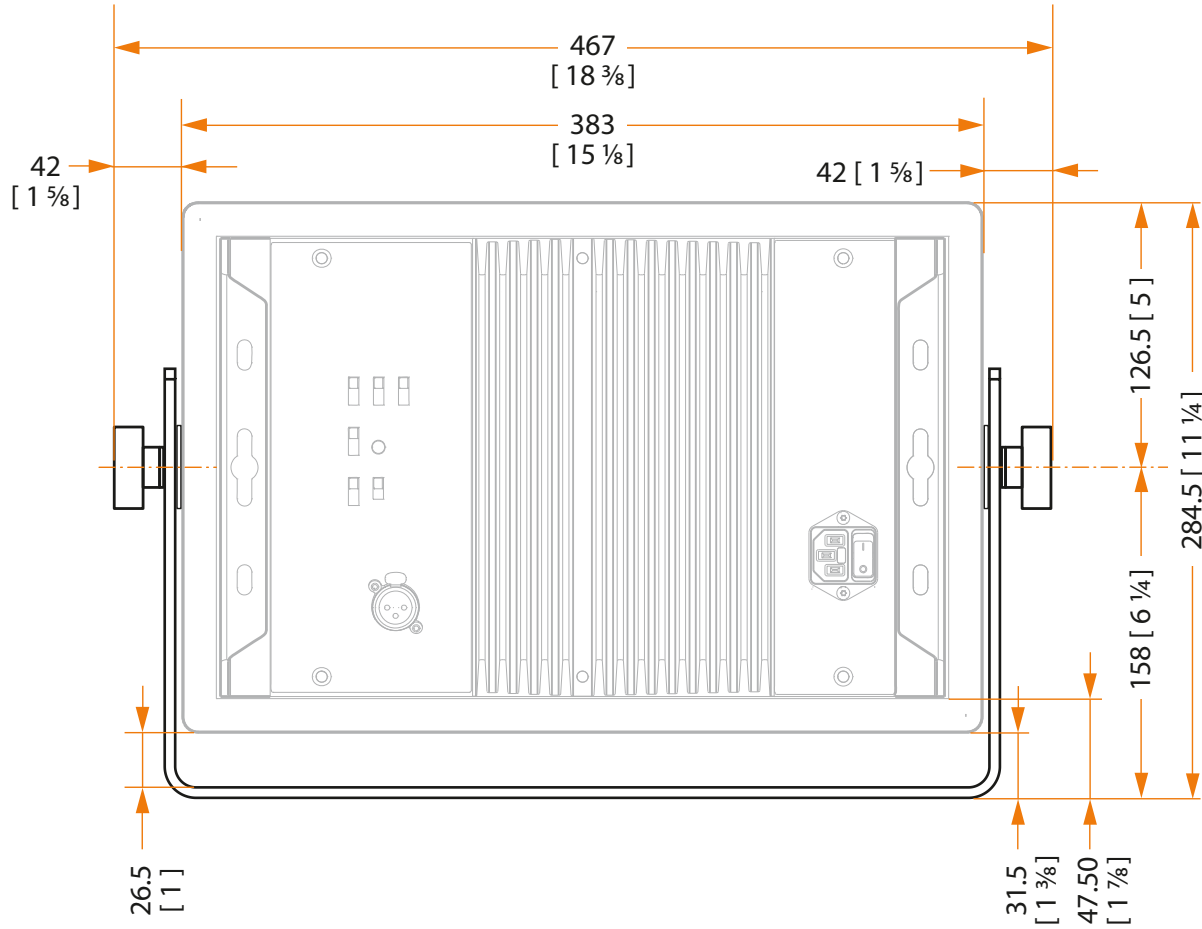


mm
[inch]



LH 25 middle position

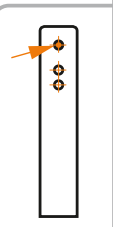
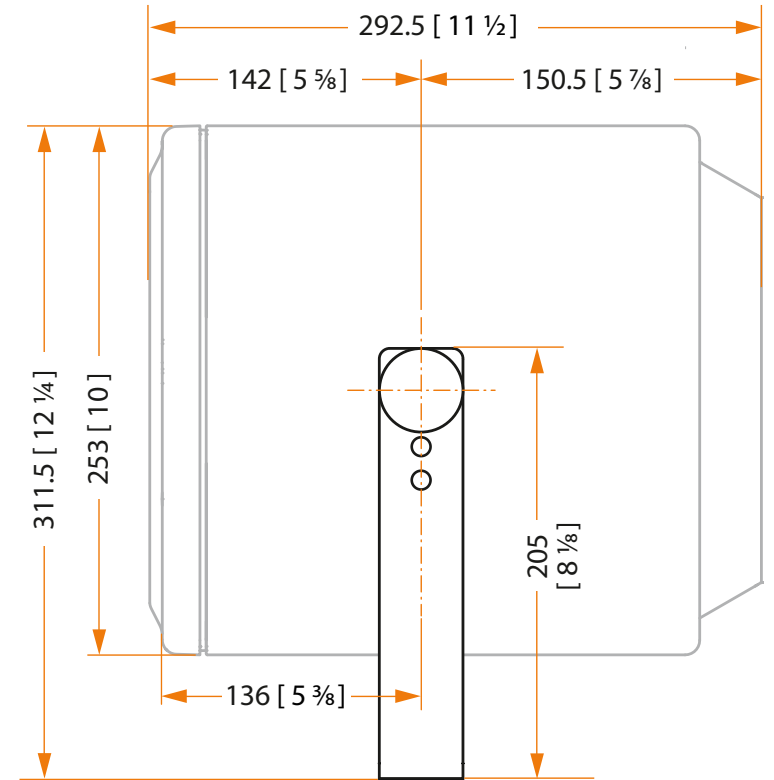
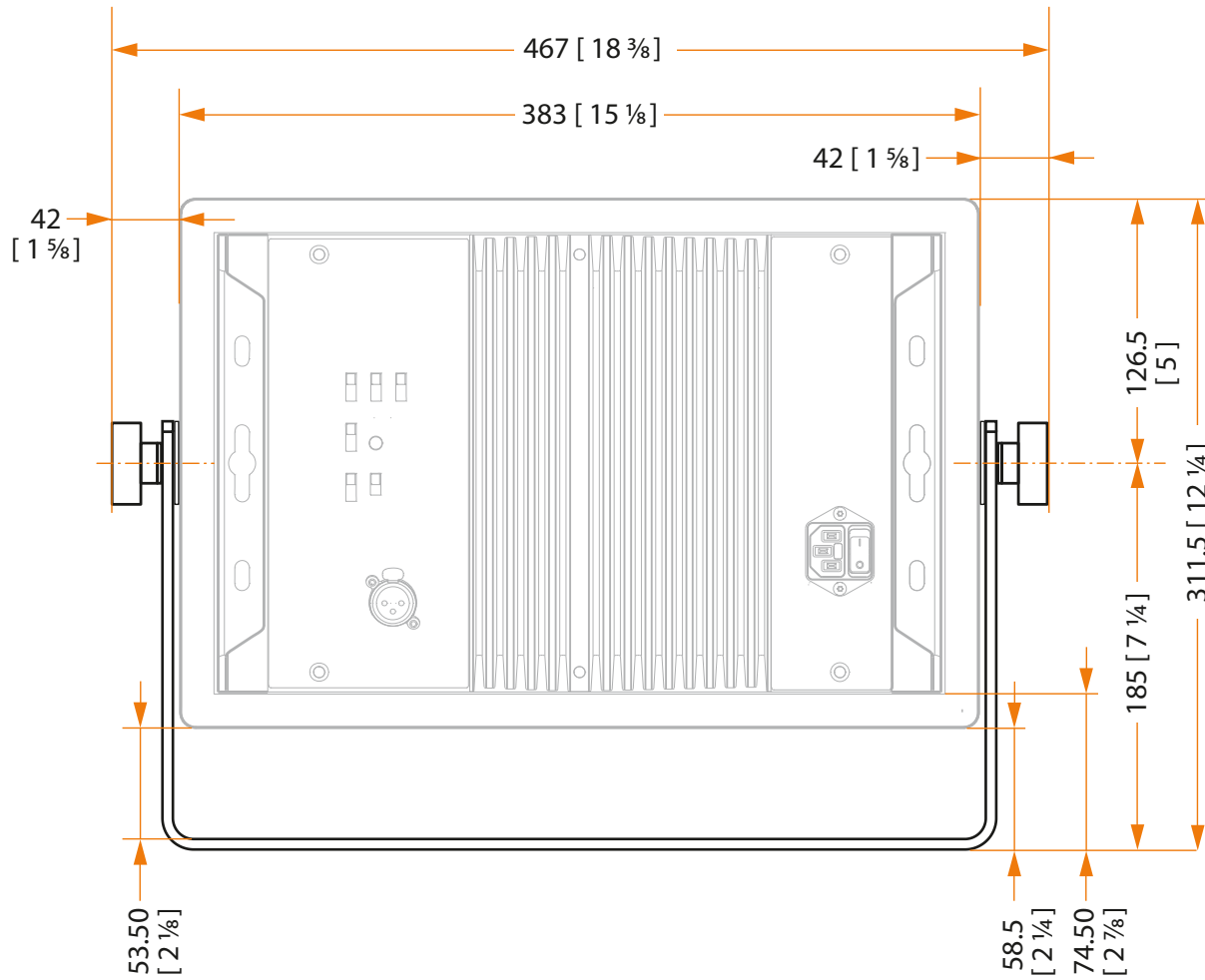
MAIN





LH 25 top position

MAIN

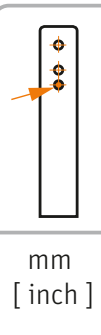
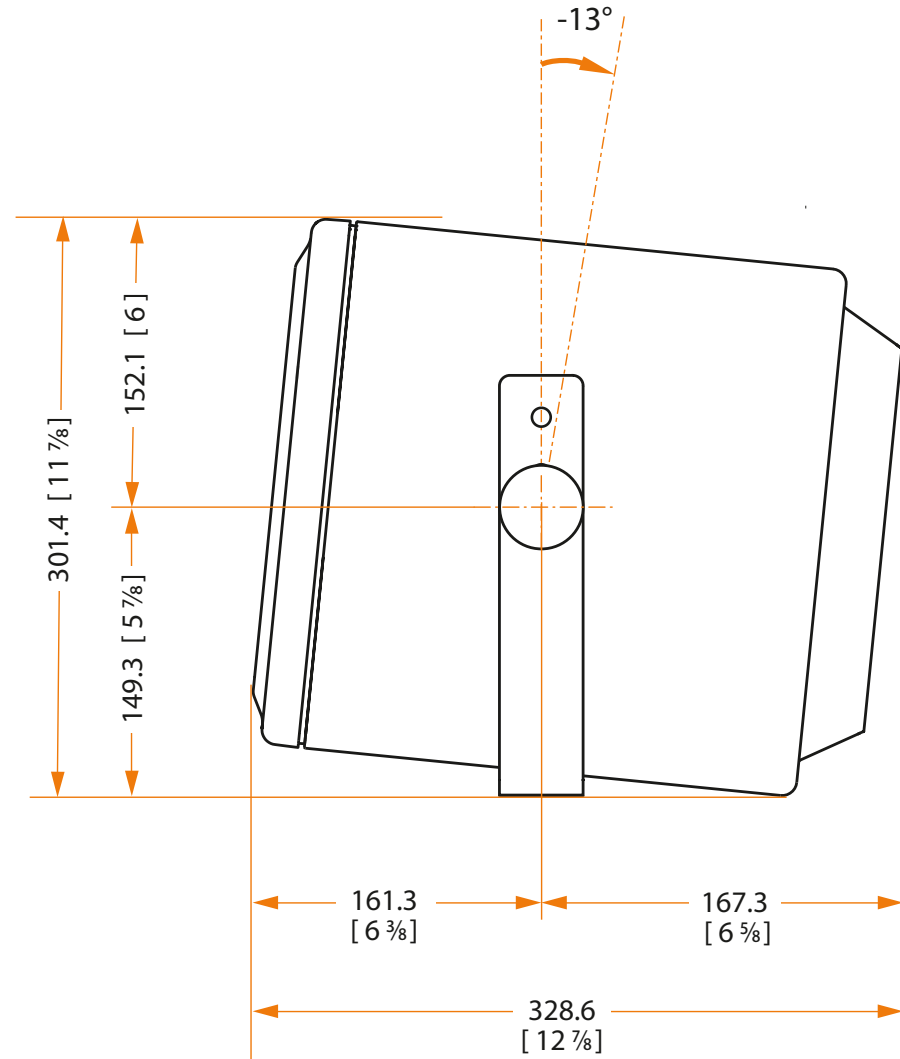
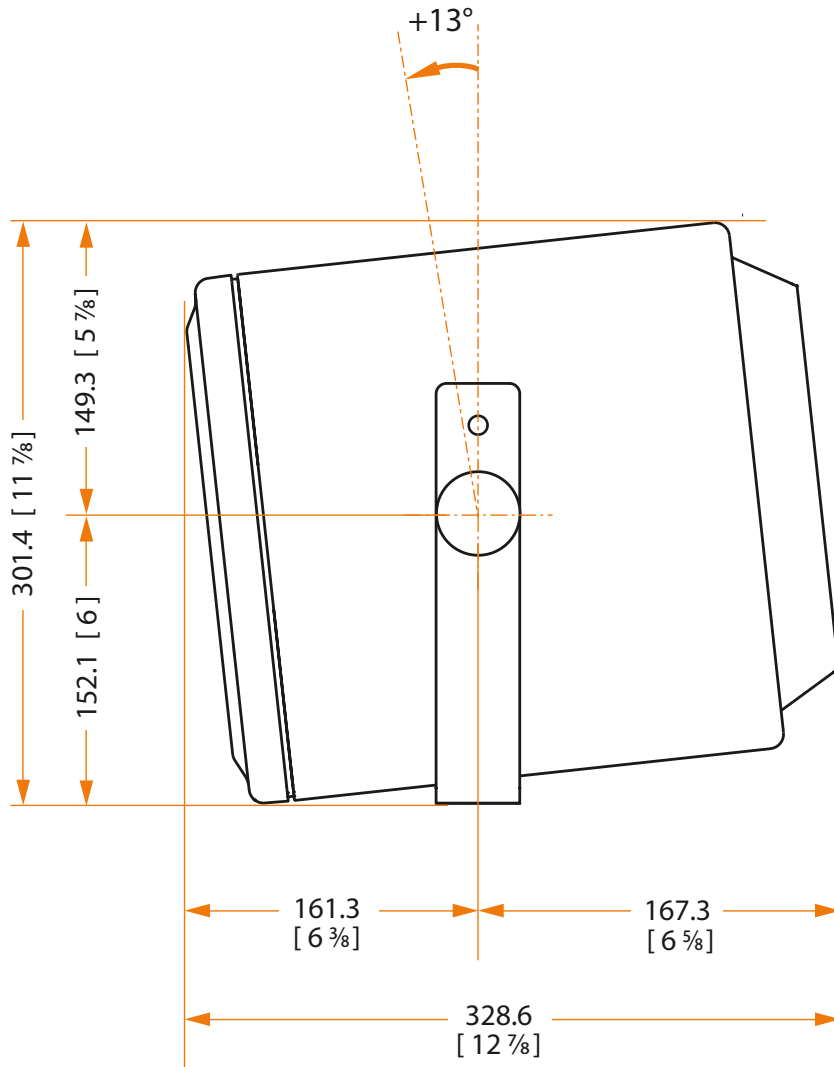


mm
[inch]



LH 25 bottom position

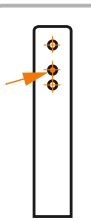
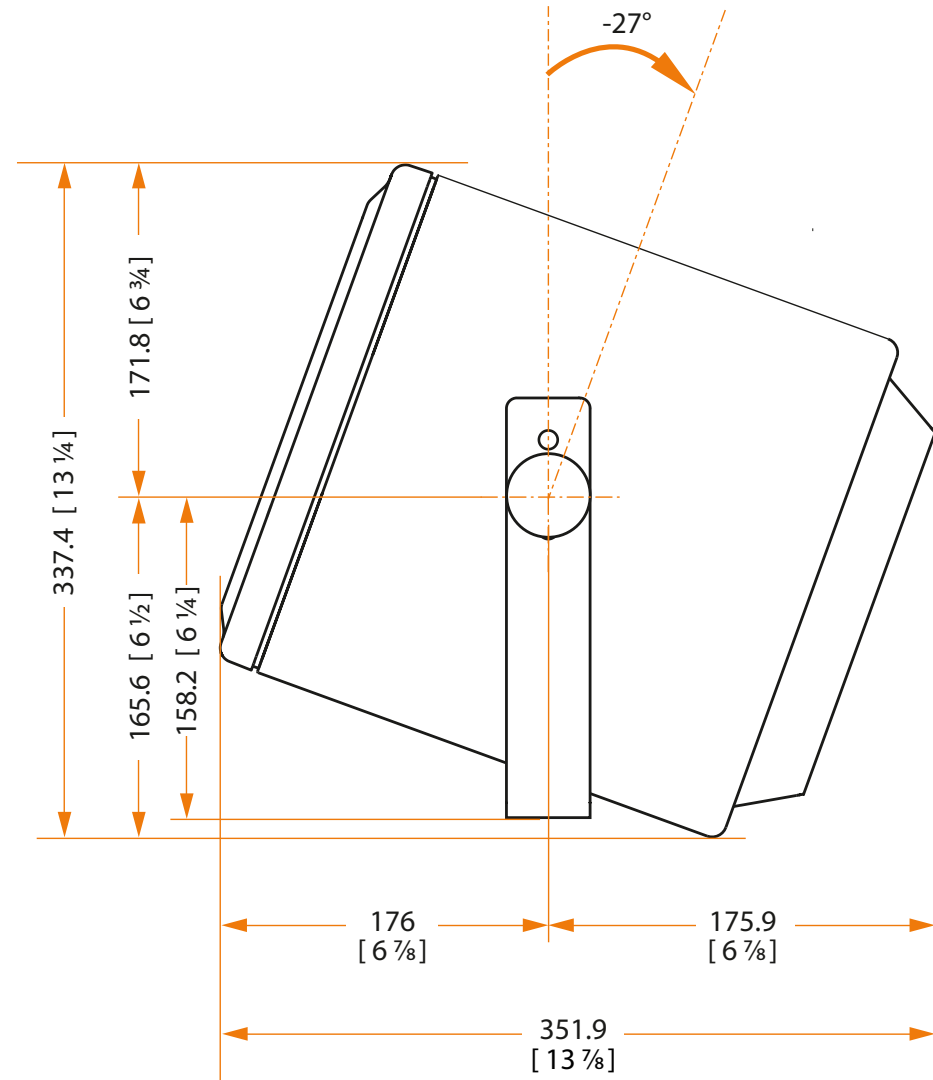
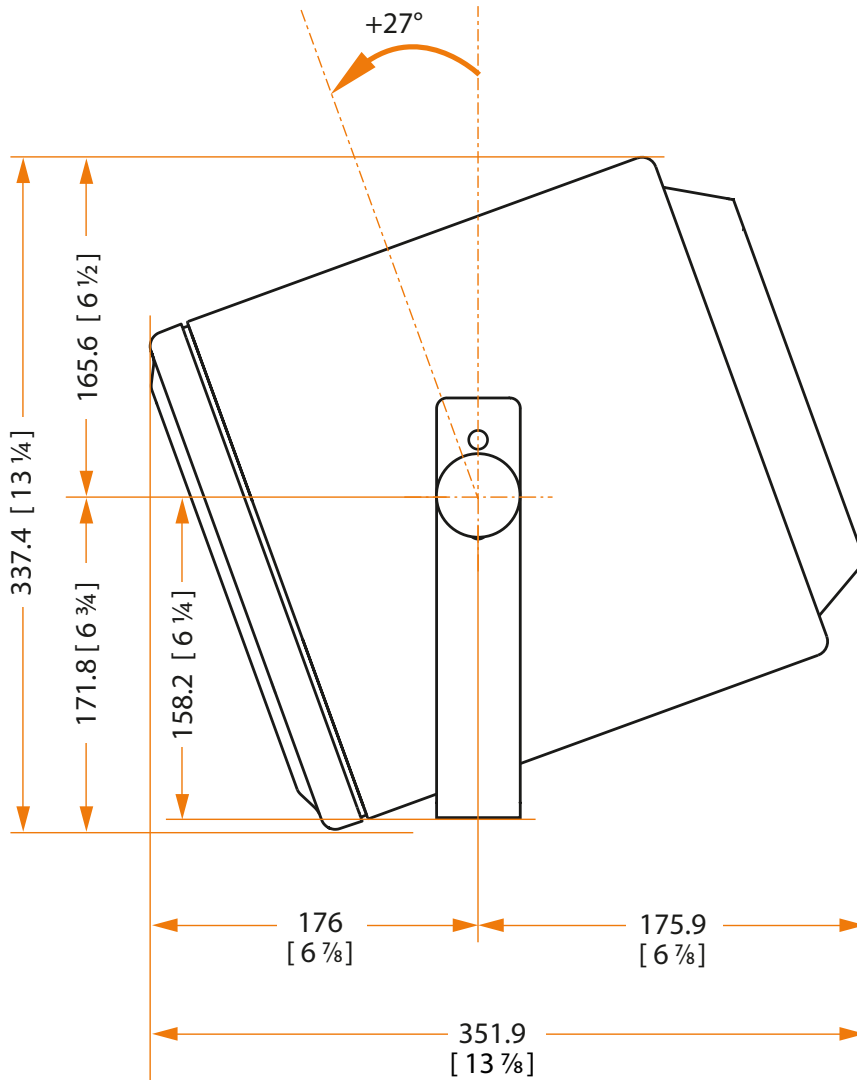
MAIN





LH 25 middle position

MAIN

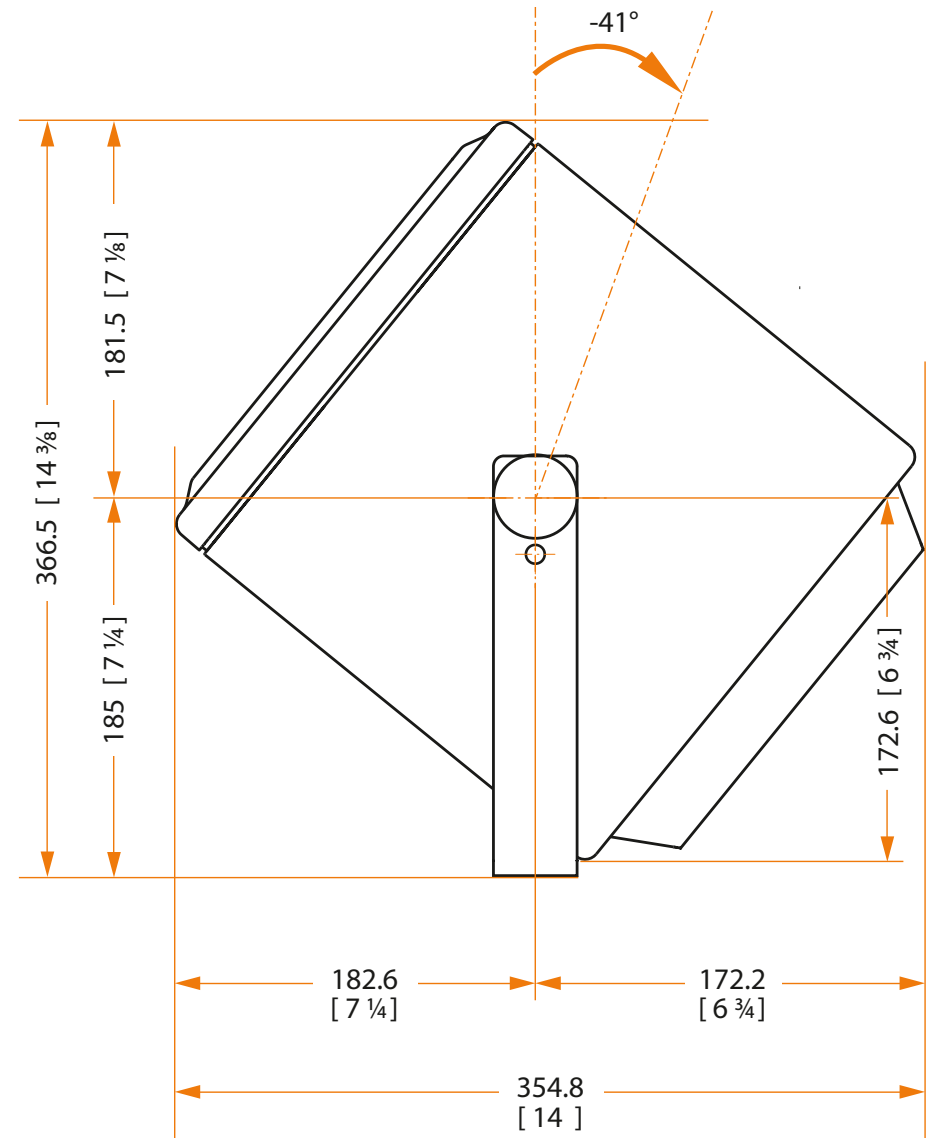
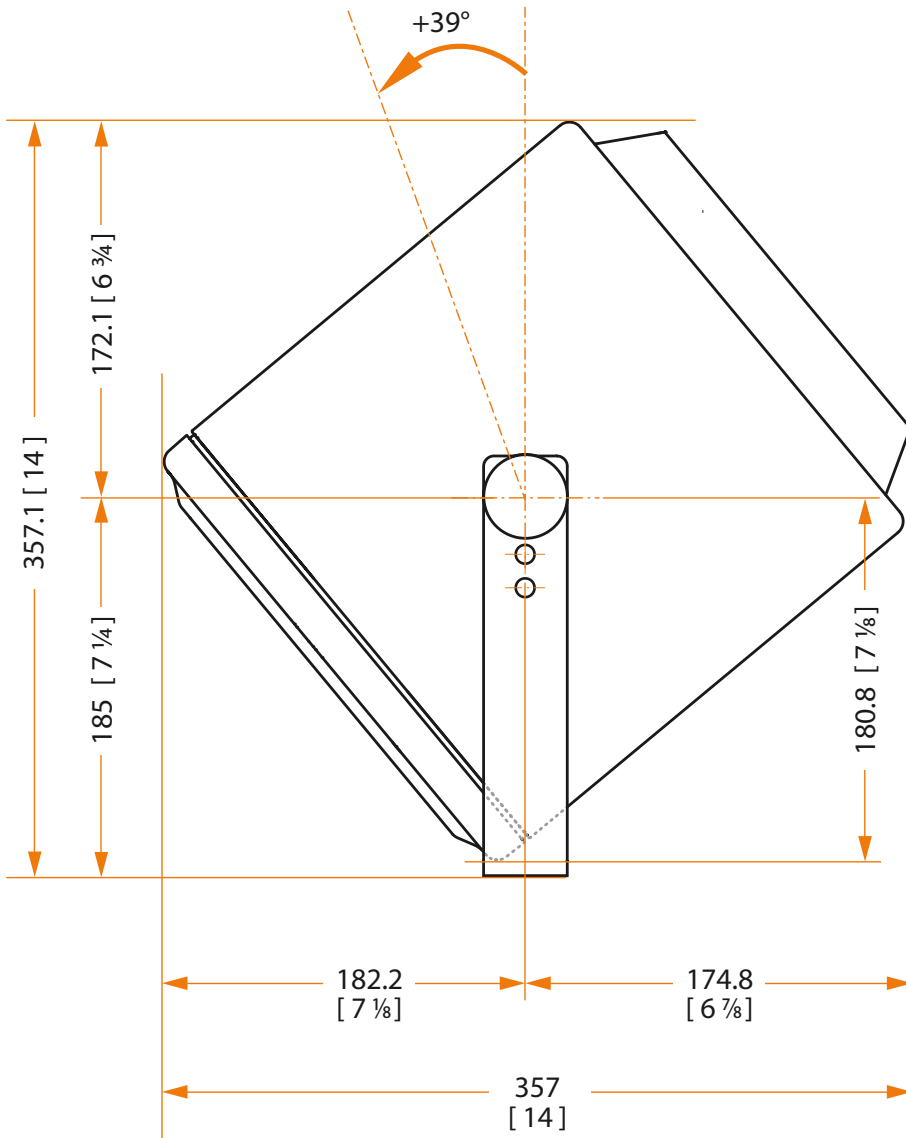


mm
[inch]



LH 25 top position

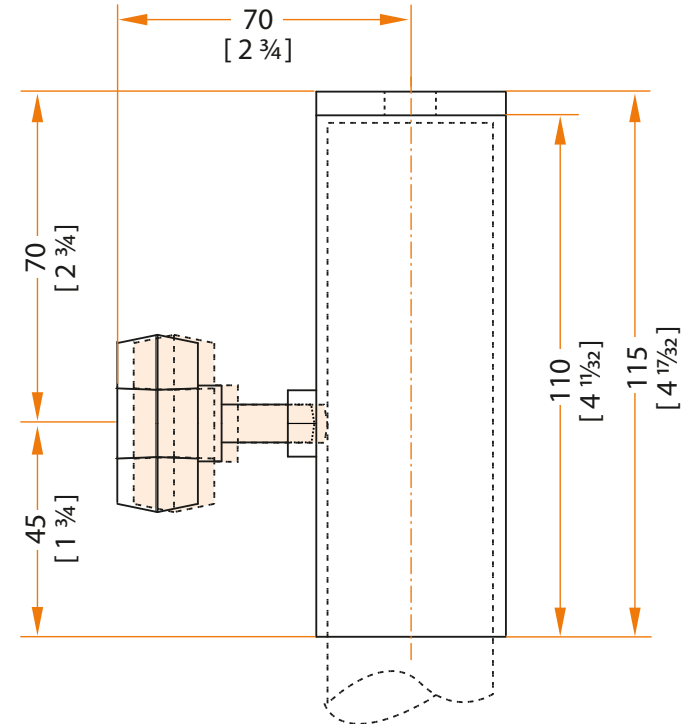
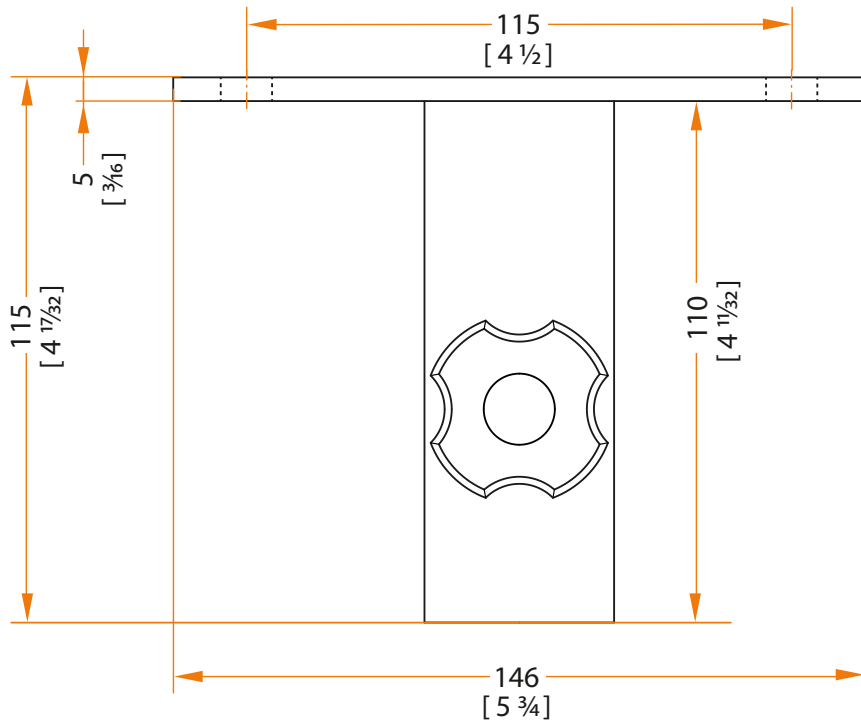
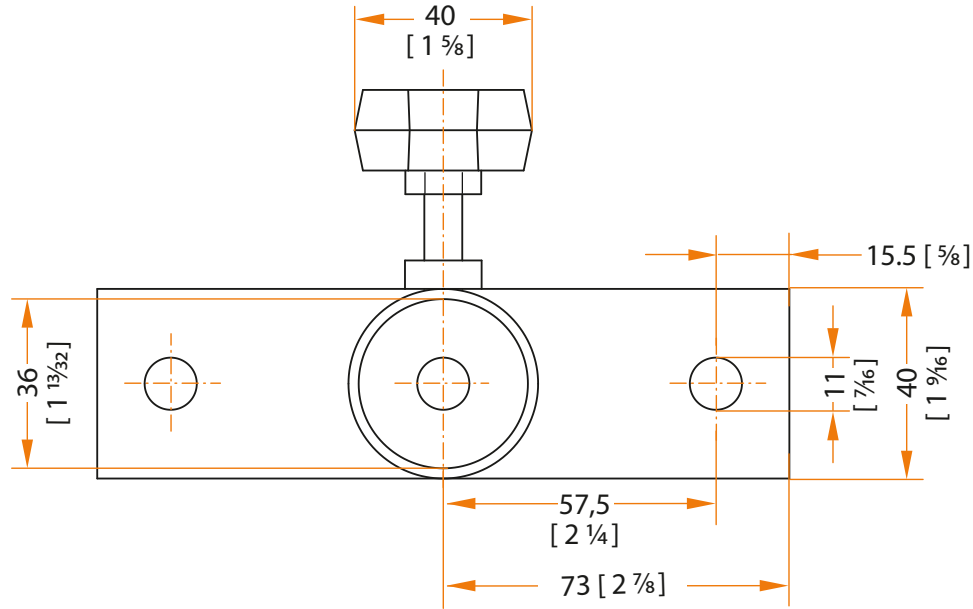
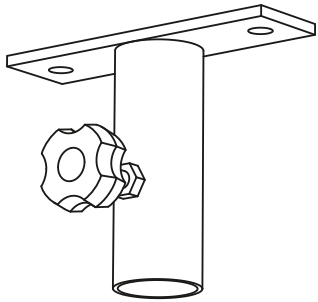
MAIN



mm
[inch]



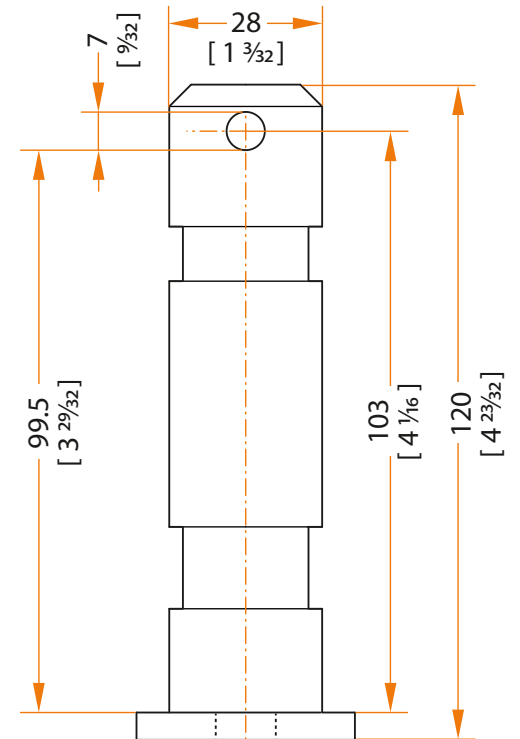
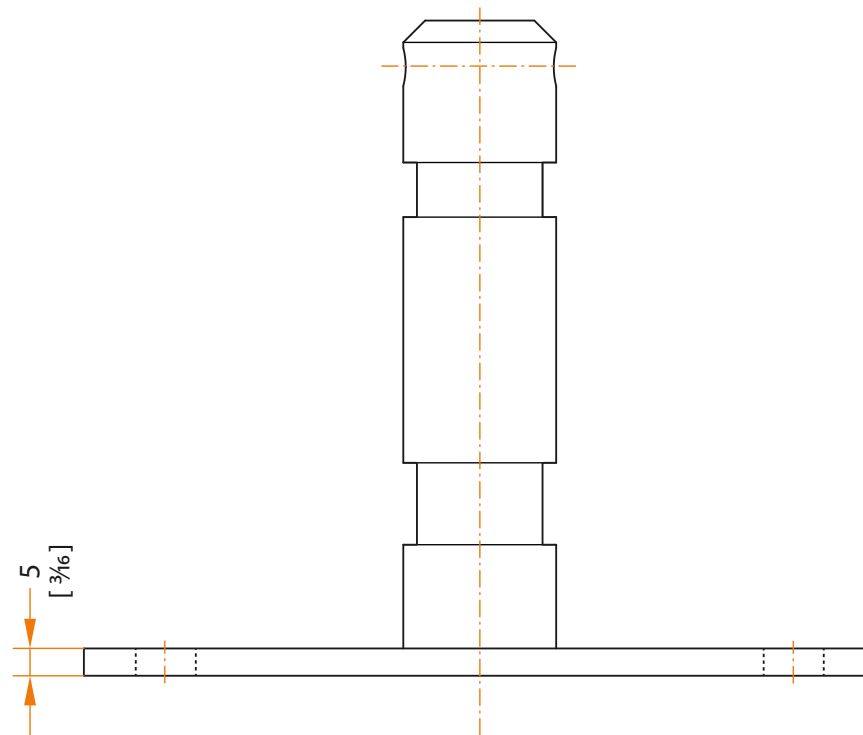
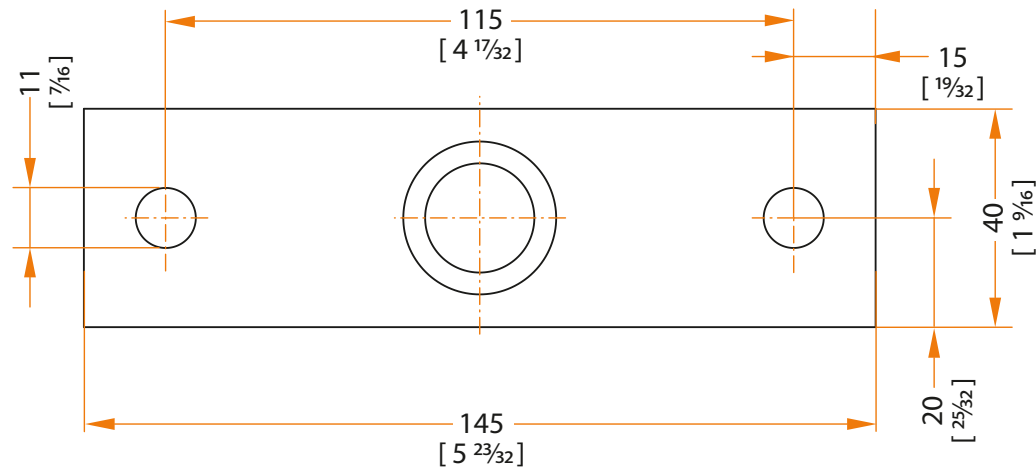
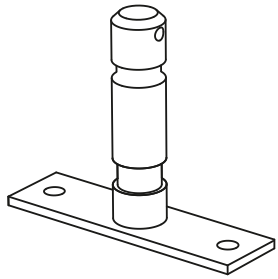
MAIN



mm
[inch]



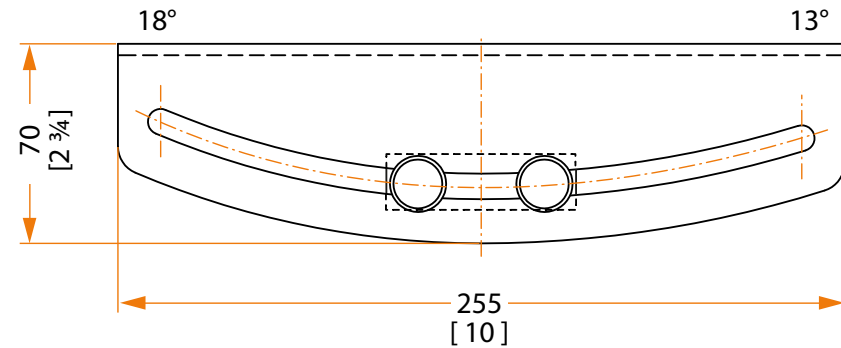
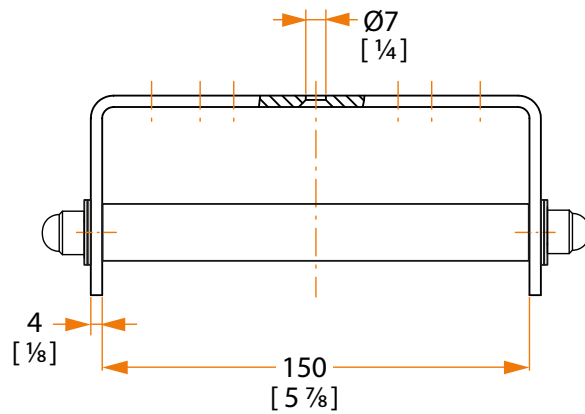
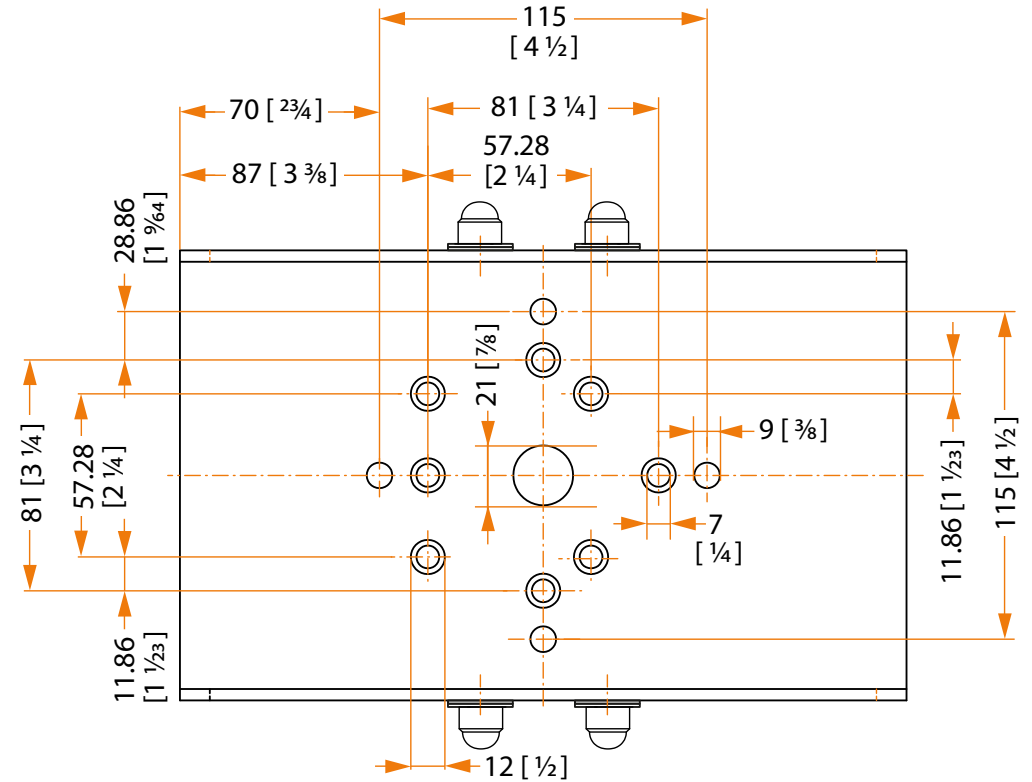
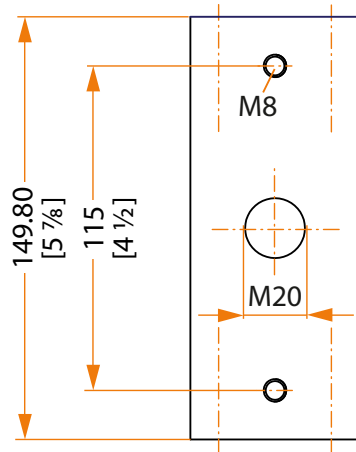
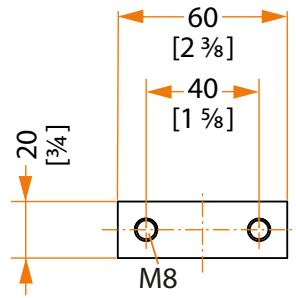
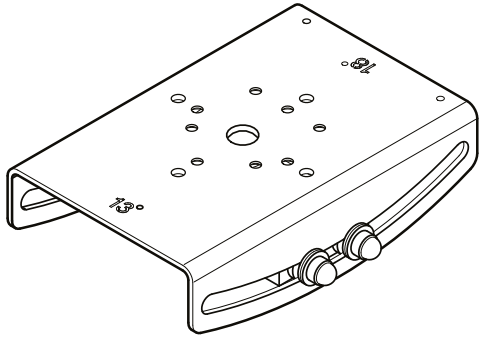
MAIN



mm
[inch]



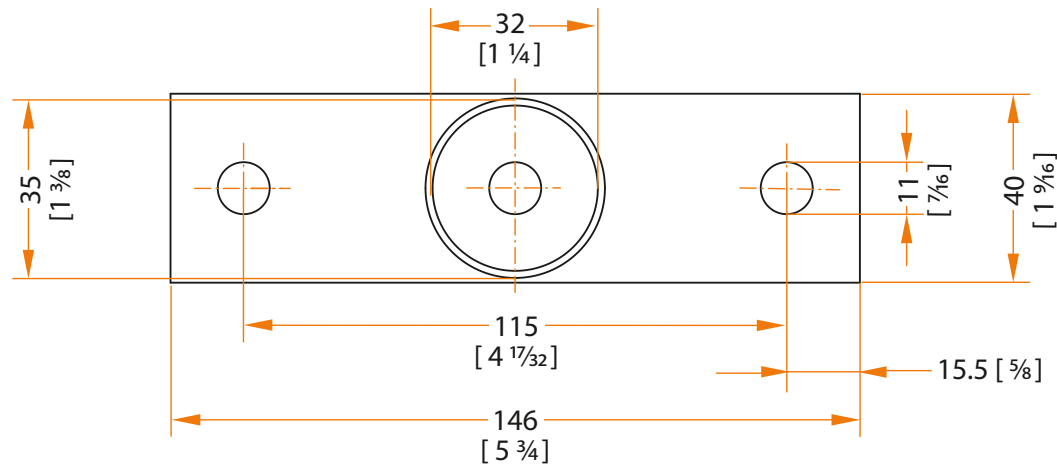
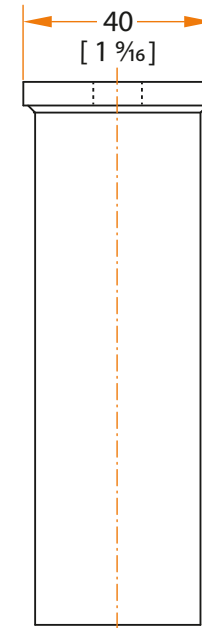
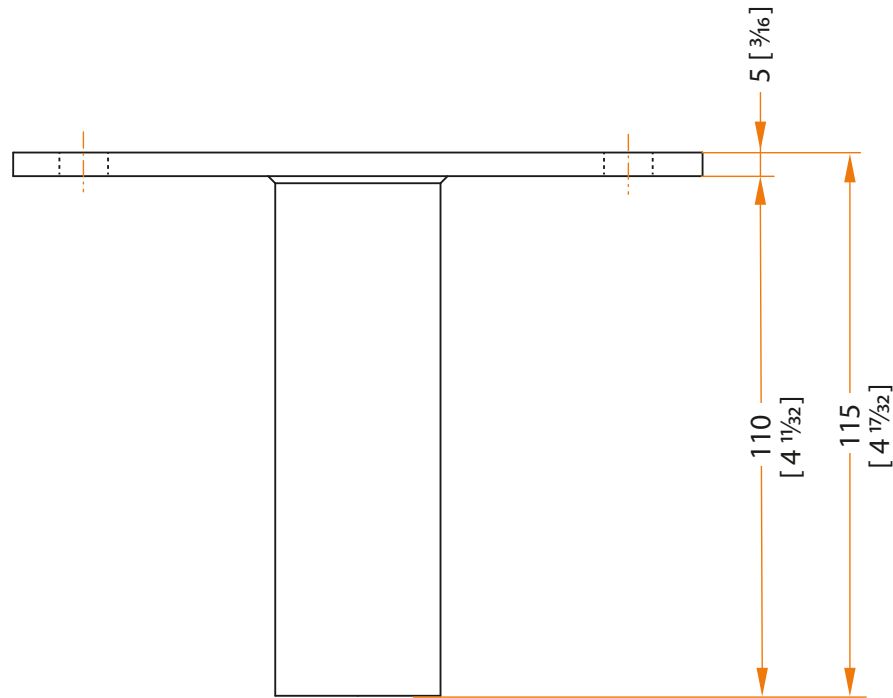
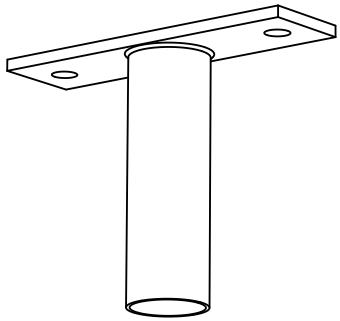
MAIN



mm
[inch]

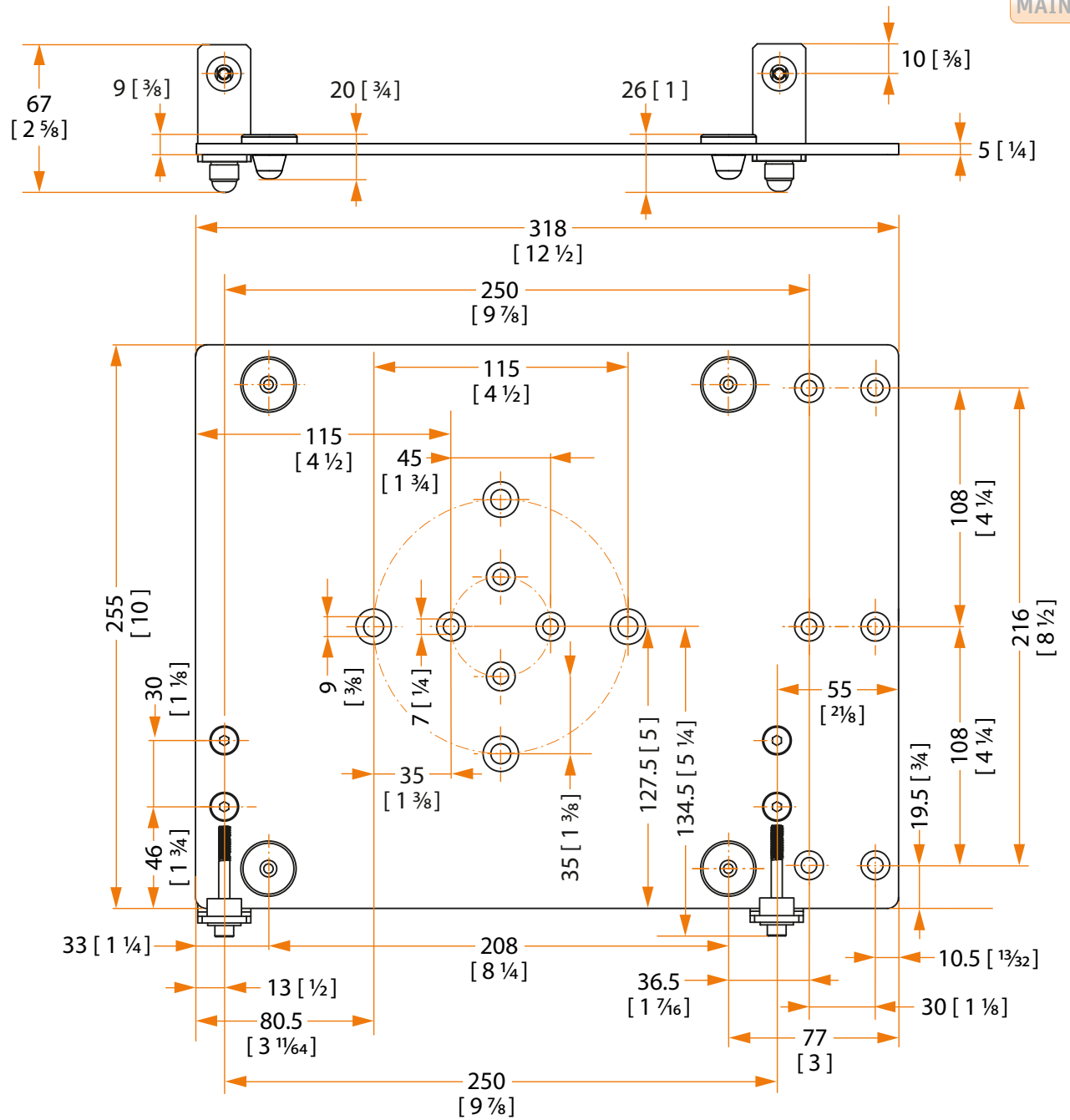
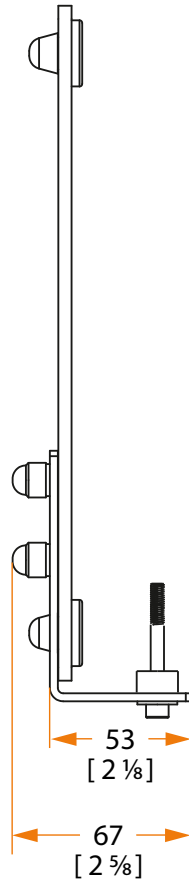
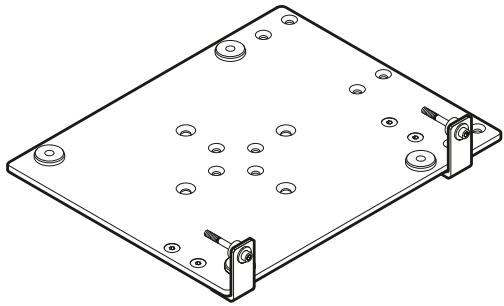


MAIN





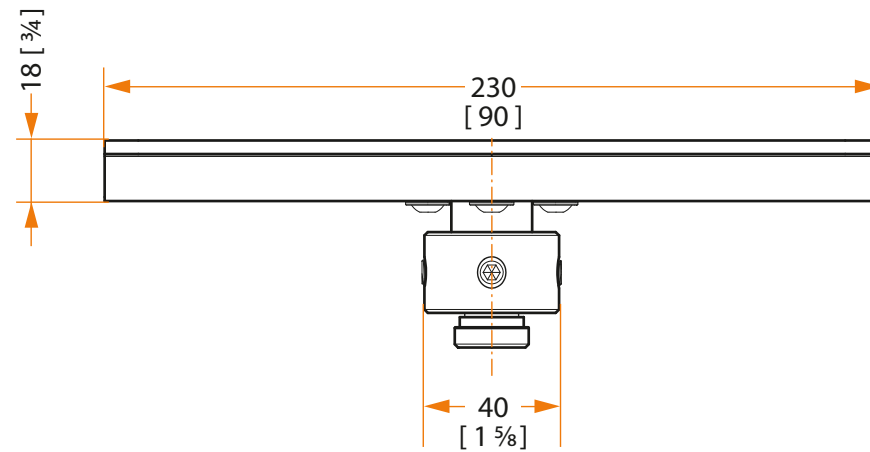
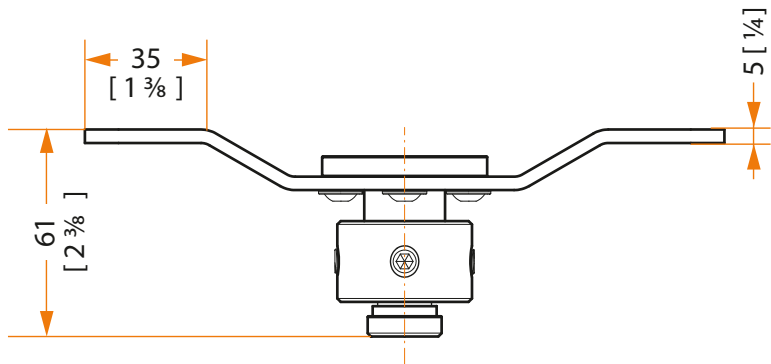
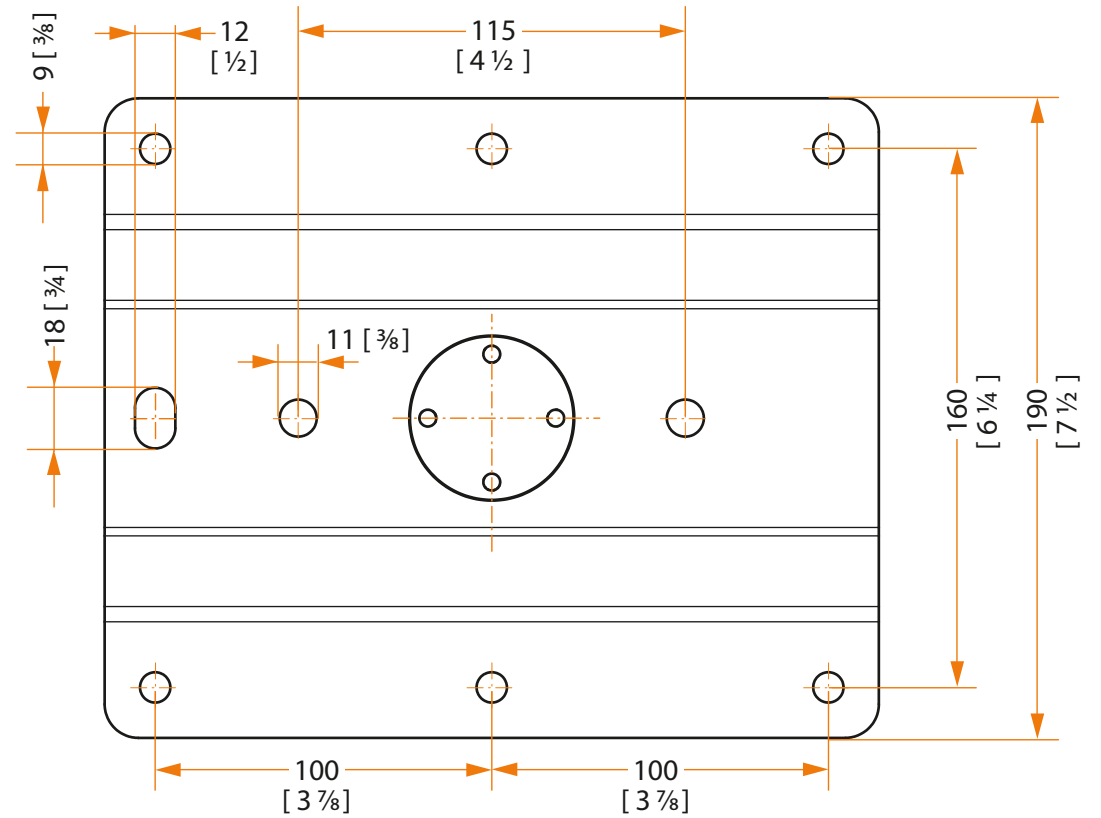
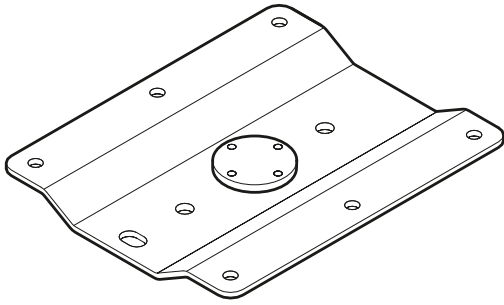
MAIN



mm
[inch]

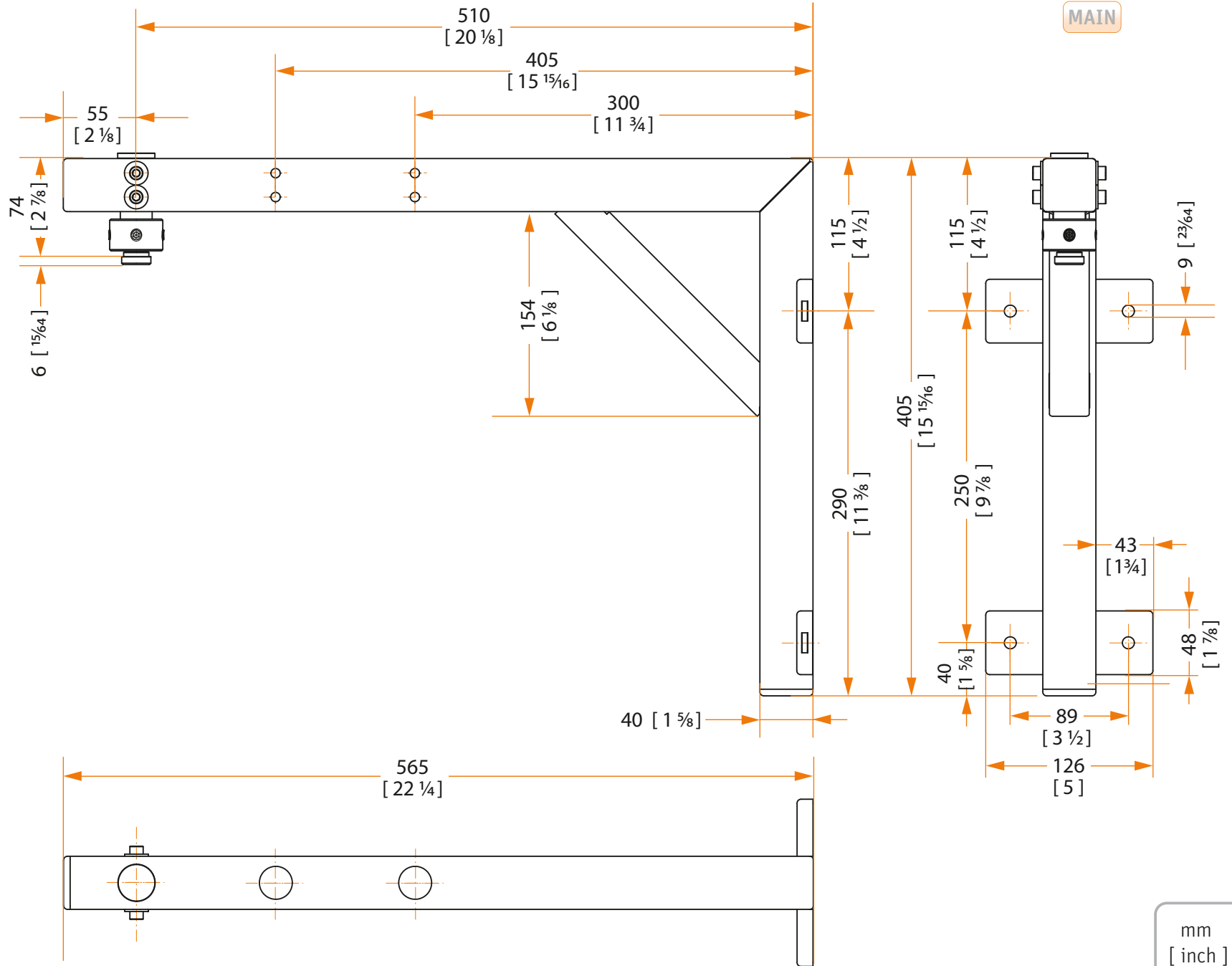
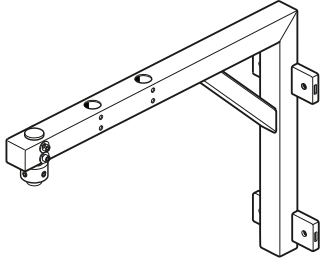


MAIN





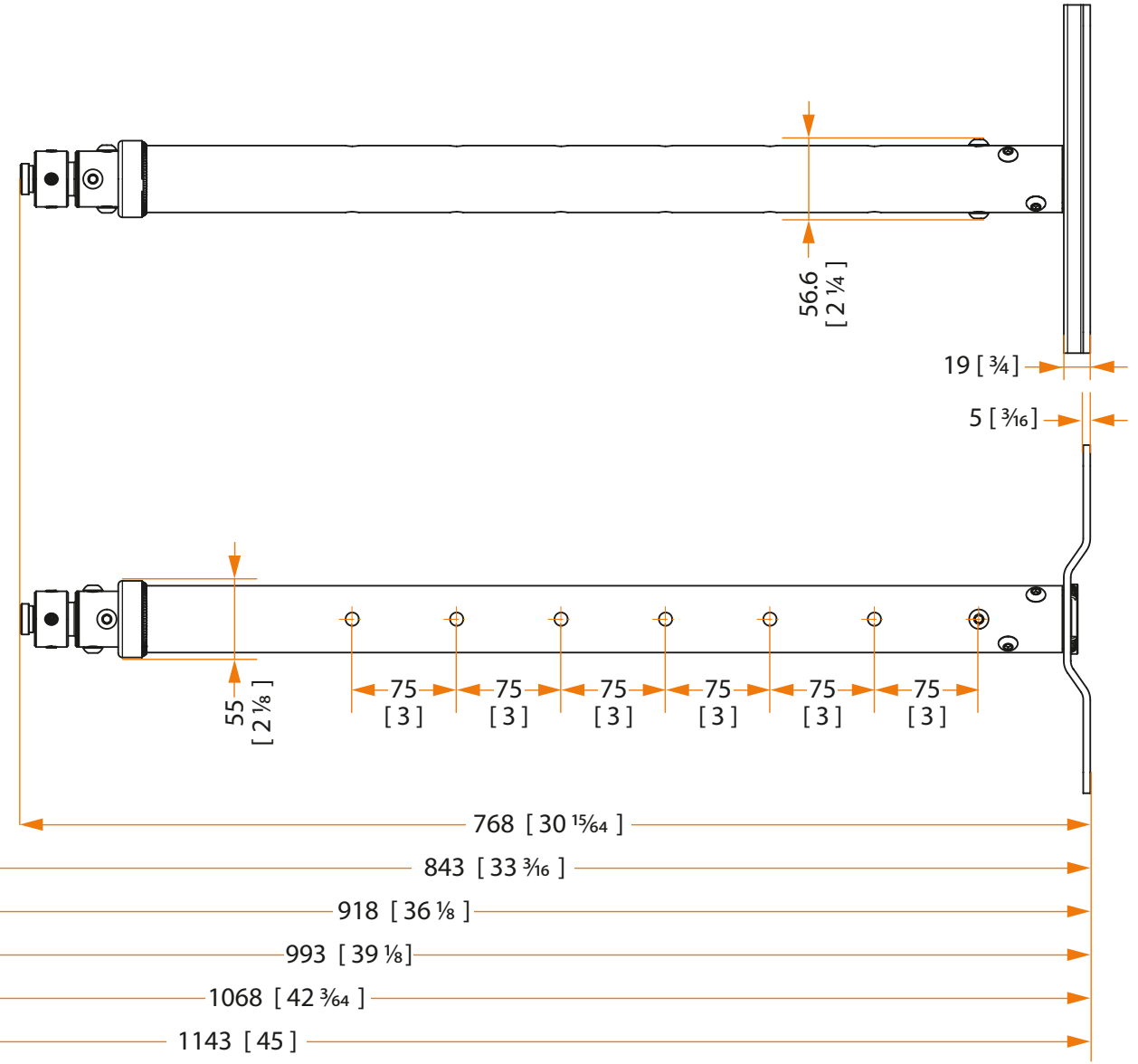
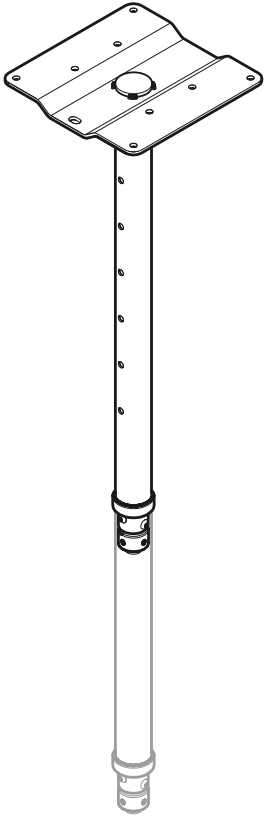
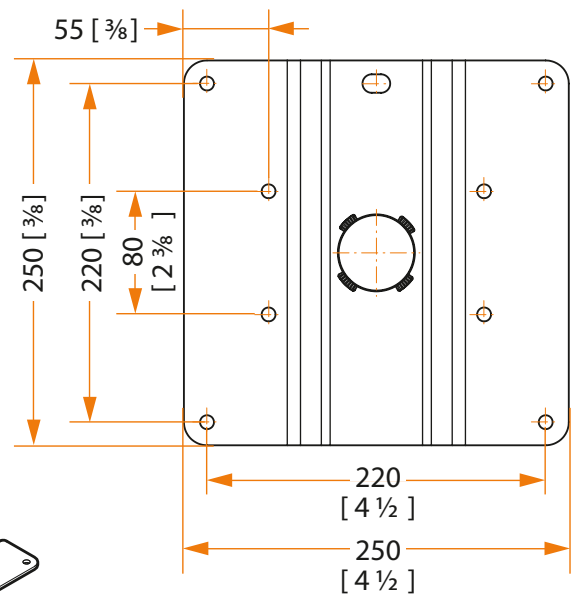
MAIN



mm
[inch]



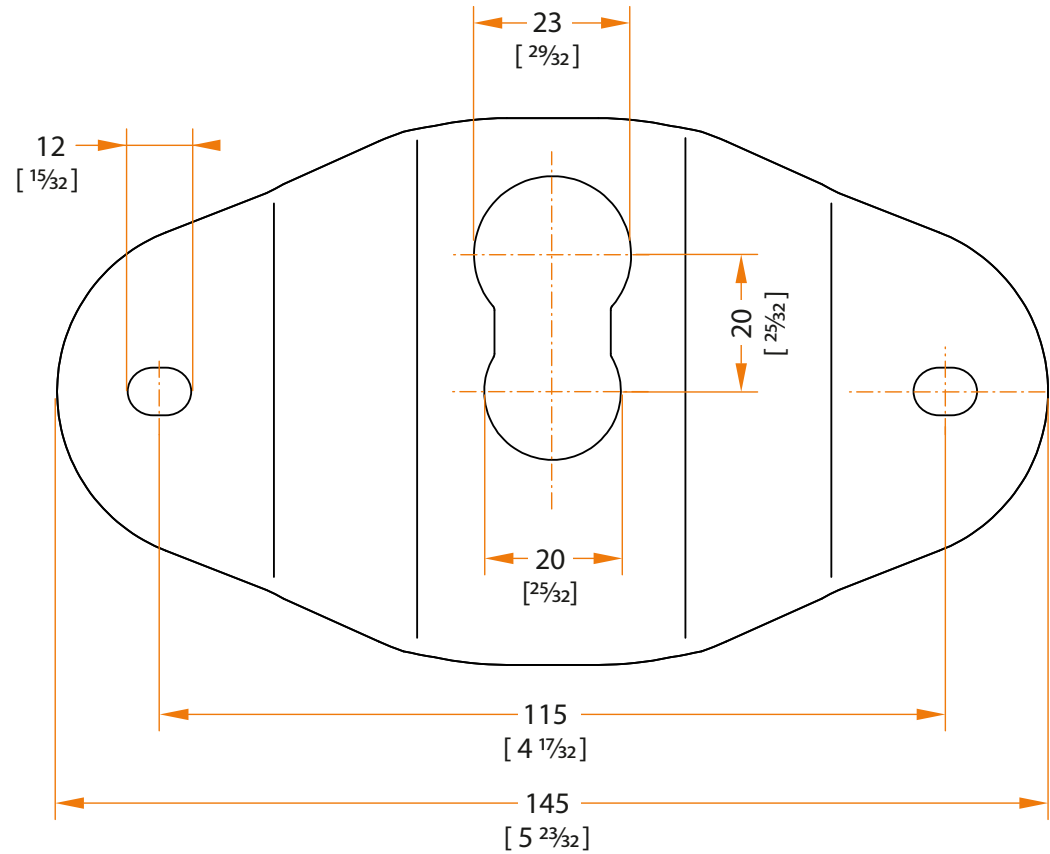
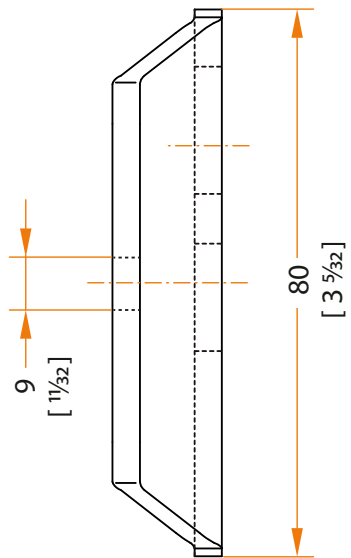
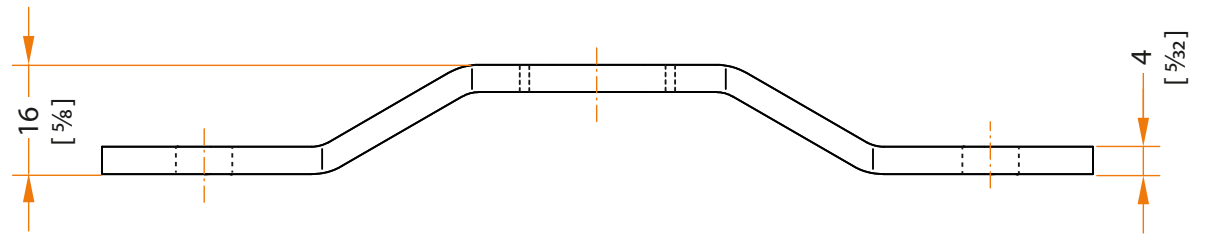
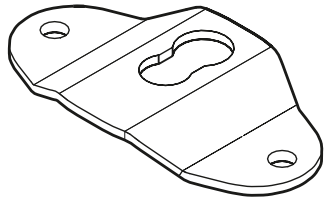
MAIN



mm
[inch]

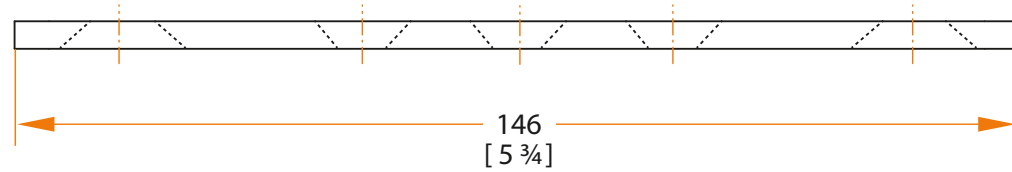
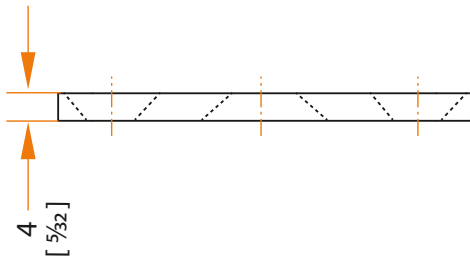
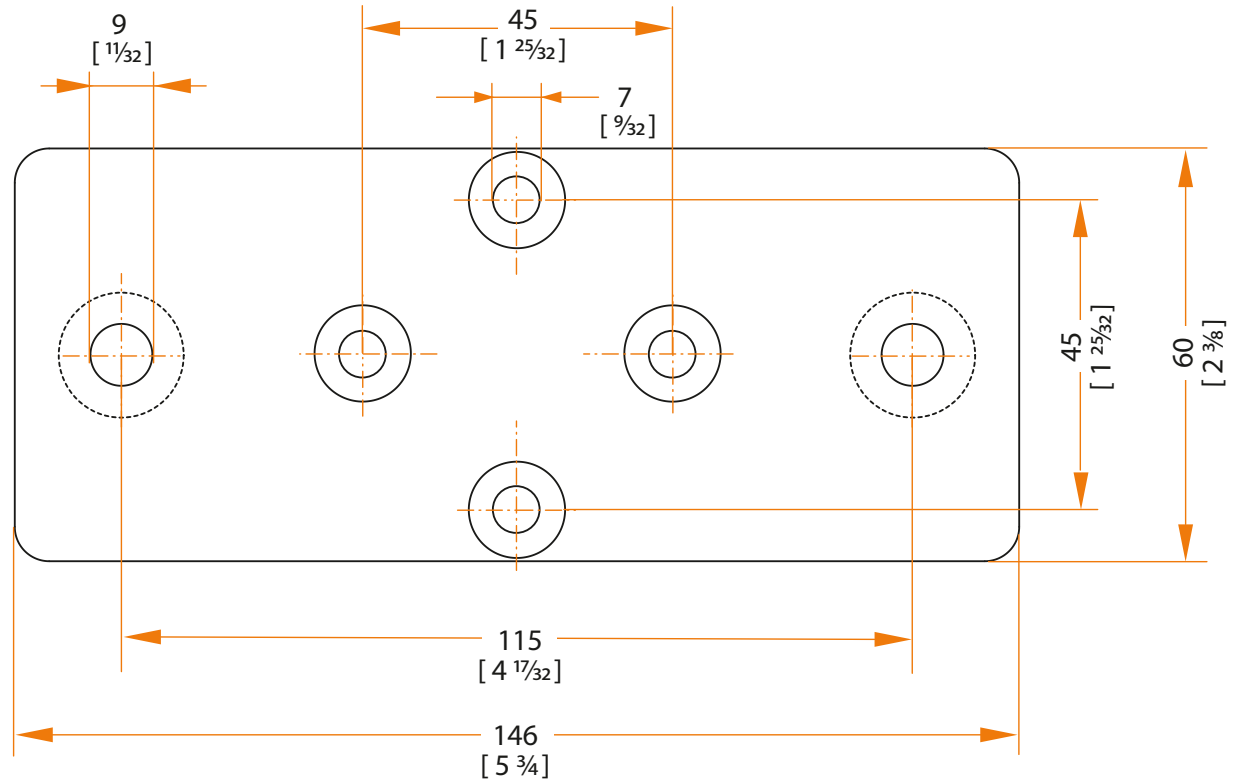
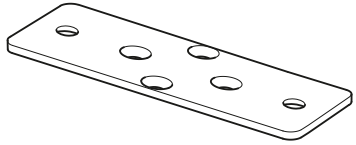


MAIN



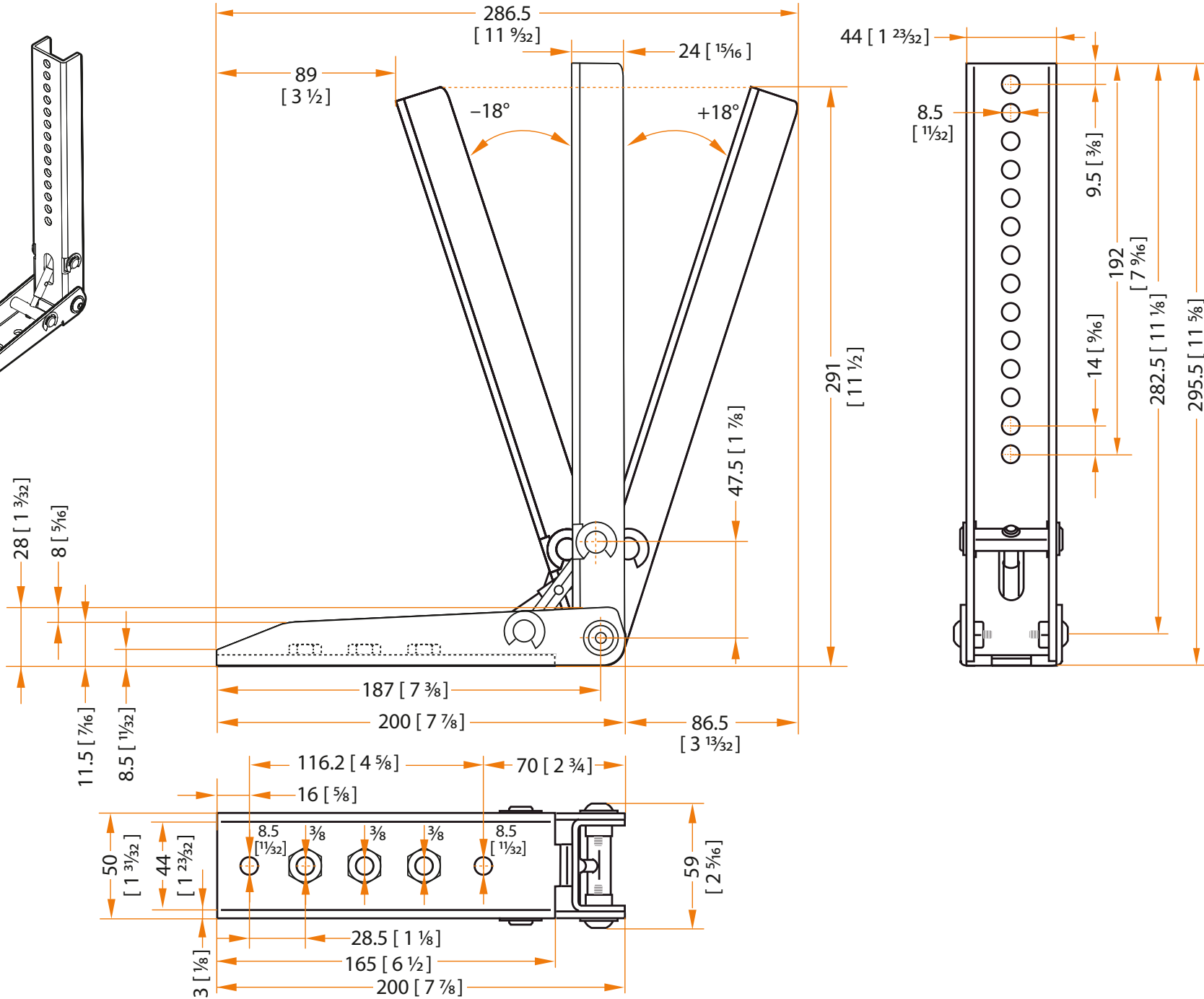
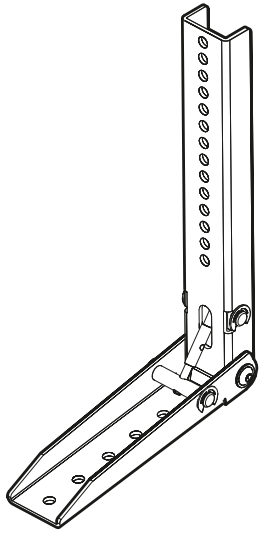


MAIN





MAIN



mm
[inch]